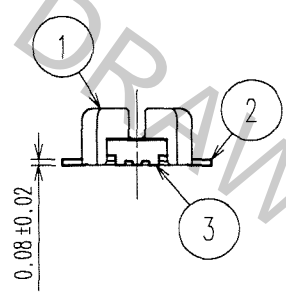
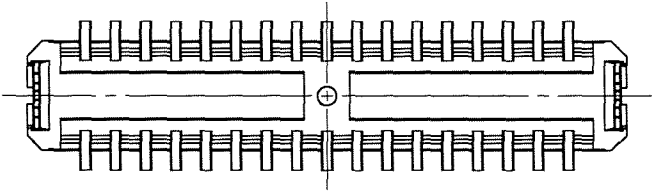
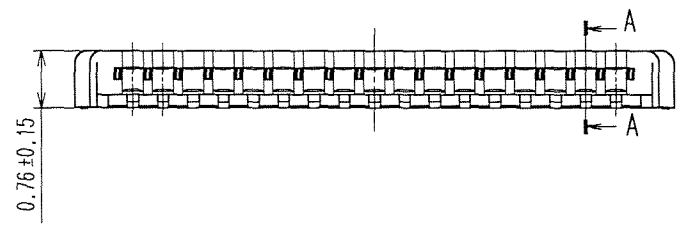
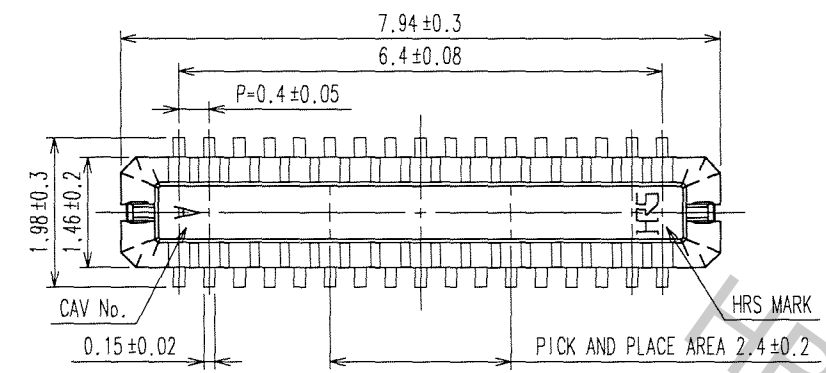
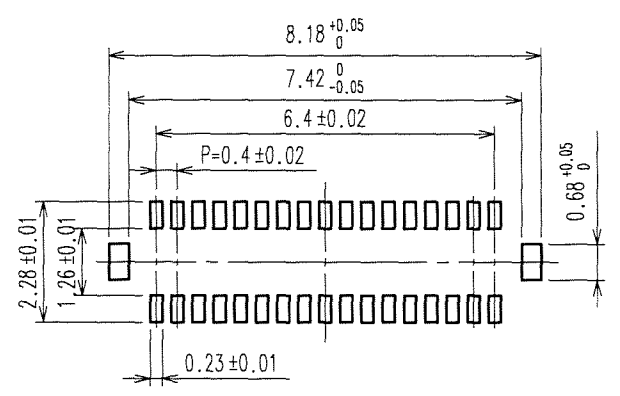


Apr.1.2017 Copyright 2017 HIROSE ELECTRIC CO., LTD. All Rights Reserved.

COUNT	DESCRIPTION OF REVISIONS	BY	CHKD	DATE	COUNT	DESCRIPTION OF REVISIONS	BY	CHKD	DATE

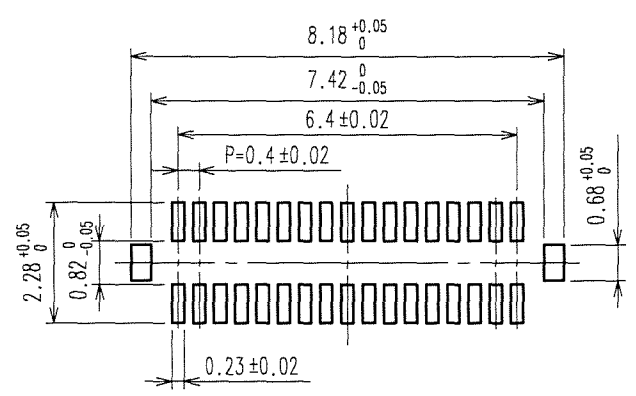


RECOMMENDED METAL MASK OPENING PATTERN

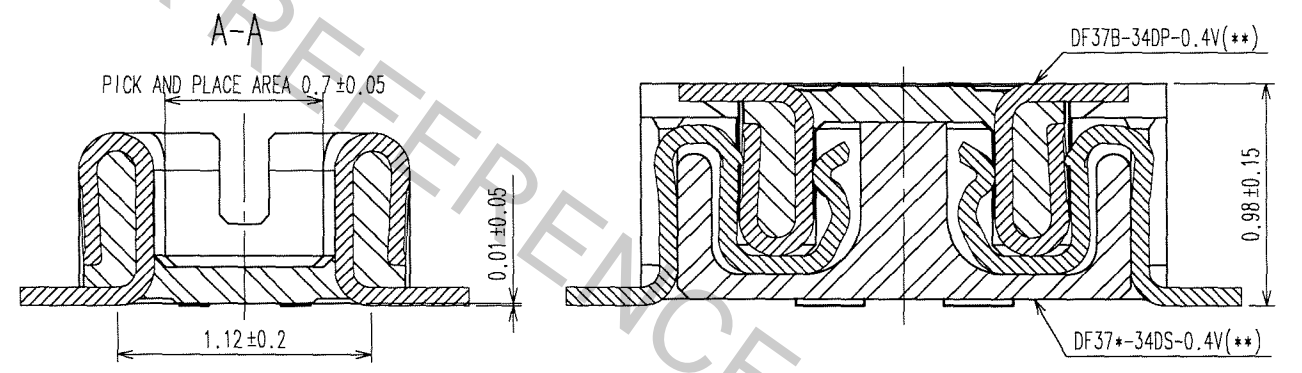


RECOMMENDED SOLDER PASTE: THICKNESS 120μm

RECOMMENDED PATTERN



ENGAGEMENT FIGURE



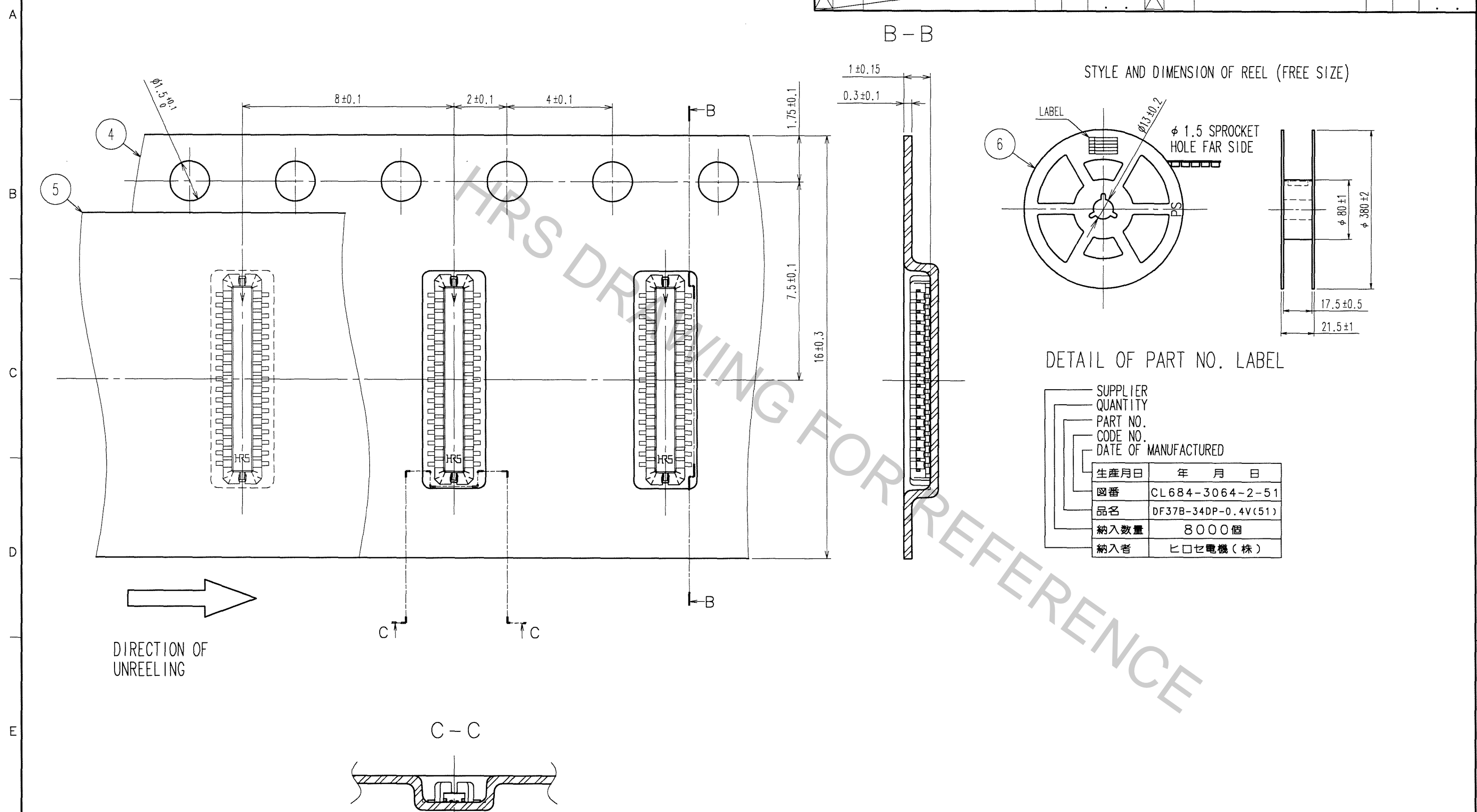
- NOTE 1. ALL LEADS CO-PLANARITY SHALL BE 0.1 MAX.
 2. PER REEL : 8000 CONNECTORS.
 3. AT THE BEGINNING OF THE REEL, 100 mm AT MIN SHALL BE EMPTY POCKETS.
 AT THE END OF THE REEL, 160 mm AT MIN SHALL BE EMPTY.
 4. CONTACT PLATING SPECIFICATIONS.
 CONTACT AREA : GOLD 0.05μm MIN.
 SMT LEAD : GOLD 0.05μm MIN.
 UNDERPLATING : NICKEL 1μm MIN.
 (SURFACE : SEALING)
 5. METAL HOLD DOWN PLATING SPECIFICATIONS.
 MOUNTING AREA: GOLD 0.05μm MIN.
 UNDERPLATING : NICKEL 1μm MIN.
 6. PEEL FORCE REFERS TO JIS C 0806.

TO

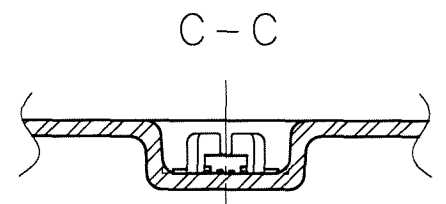
3	PHOSPHOR BRONZE	5	6	PS	PLASTIC REEL (BLACK)	
2	PHOSPHOR BRONZE	4	5	POLYESTER	CLEAR (COVER TAPE)	
1	LCP	UL94V-0, BLACK	4	PS	CLEAR (EMBOSSED CARRIER TAPE)	
NO.	MATERIAL	FINISH, REMARKS	NO.	MATERIAL	FINISH, REMARKS	
CODE NO. (OLD)		DRAWN	DESIGNED	CHECKED	APPROVED	RELEASED
		J. Oai	J. Oai	K. Ikeda	K. Ikeda	
		07.03.29	07.03.29	07.03.29	07.03.29	
DRAWING NO. EDC3-31554-01			PART NO. DF37B-34DP-0.4V(51)			
SCALE FREE			CODE NO. CL684-3064-2-51			
UNITS mm			HIROSE ELECTRIC CO., LTD			

Apr.1.2017 Copyright 2017 HIROSE ELECTRIC CO., LTD. All Rights Reserved.

COUNT	DESCRIPTION OF REVISIONS	BY	CHKD	DATE	COUNT	DESCRIPTION OF REVISIONS	BY	CHKD	DATE



DIRECTION OF UNREELING



CODE NO. (OLD)	DRAWN	DESIGNED	CHECKED	APPROVED	RELEASED
	J. Oai	J. Oai	K. Ikeda	K. Ikeda	
	07.03.29	07.03.29	07.03.29	07.03.29	
SCALE	DRAWING NO.		PART NO.		
FREE	EDC3-315554-01		DF37B-34DP-0.4V(51)		
UNITS	HIROSE ELECTRIC CO., LTD		CODE NO.		
mm			CL684-3064-2-51		

TO