

92mm sq.

San Ace 92



General Specifications

- Material Frame: Plastics (Flammability: UL94V-0),
Impeller: Plastics (Flammability: UL94V-0)
- Expected Life Refer to specifications (L10:Survival rate:90% at 60°C ,
rated voltage, and continuously run in a free air state)
- Lead Wire ⊕red ⊖black or blue (Sensor) yellow
- Storage Temperature -30°C to +70°C (Non-condensing)

92×92×25mm (Mass : 100g) **9A type** **San Cooler**

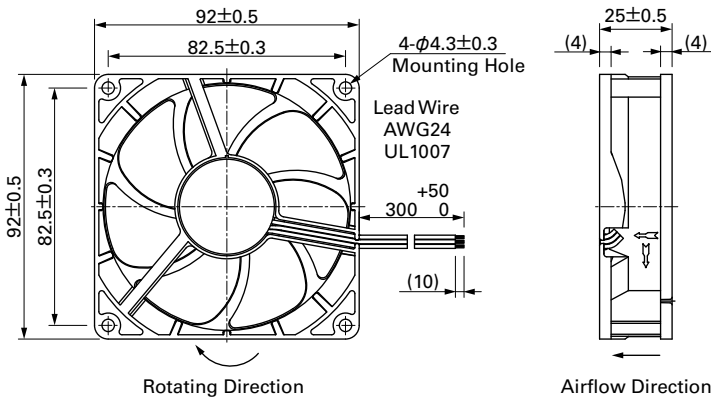
Specifications

The following nos. **have pulse sensors and ribs**. For ribless, append "1" to the model no.

Model No.	Rated Voltage [V]	Operating Voltage Range [V]	Rated Current [A]	Rated Input [W]	Rated Speed [min ⁻¹]	Max. Airflow [m ³ /min] [CFM]	Max. Static Pressure [Pa] [inchH ₂ O]	SPL [dB(A)]	Operating Temperature [°C]	Expected Life [h]
9A0912G401	12	6 to 13.8	0.39	4.68	3,900	1.76 62.1	66.5 0.267	43	-20 to +60	30,000/60°C
9A0912S401			0.27	3.24	3,550	1.66 58.6	56.1 0.225	39		
9A0912H401			0.21	2.52	3,150	1.45 51.2	44 0.177	33		
9A0912F401			0.14	1.68	2,650	1.24 43.8	32.2 0.129	30		
9A0912M401			0.12	1.44	2,250	1.04 36.7	22.6 0.091	27		
9A0912L401			0.07	0.84	1,750	0.8 28.2	13.4 0.054	23		
9A0924G401	24	12 to 27.6	0.19	4.56	3,900	1.76 62.1	66.5 0.267	43	-20 to +60	30,000/60°C
9A0924S401			0.15	3.6	3,550	1.66 58.6	56.1 0.225	39		
9A0924H401			0.1	2.4	3,150	1.45 51.2	44 0.177	33		
9A0924F401			0.08	1.92	2,650	1.24 43.8	32.2 0.129	30		
9A0924M401			0.05	1.2	2,250	1.04 36.7	22.6 0.091	27		
9A0924L401			0.04	0.96	1,750	0.8 28.2	13.4 0.054	23		
9A0948S401	48	40.5 to 53	0.08	3.84	3,550	1.66 58.6	56.1 0.225	39	-20 to +60	40,000/60°C

Other sensor specifications are available as options. Please refer to the index (p. 500).

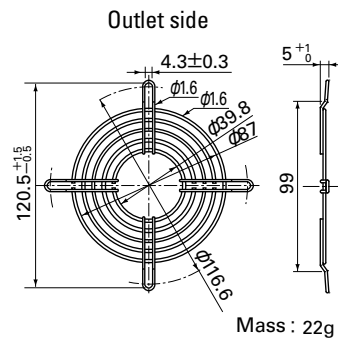
Dimensions (unit: mm) (With ribs)



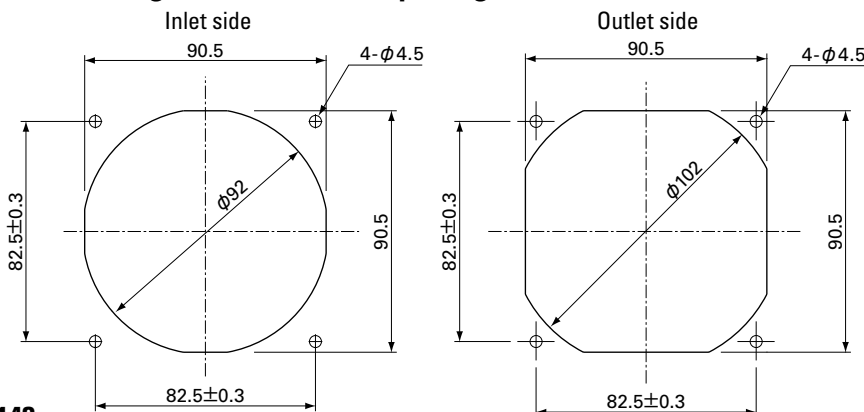
Options (unit: mm)

Finger Guards

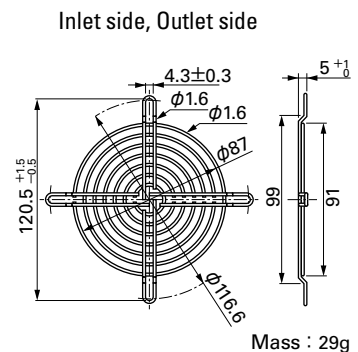
Model : 109-099C Surface treatment : Nickel-chrome plating (silver) Color



Reference Dimensions of Mounting Holes and Vent Opening (unit: mm)



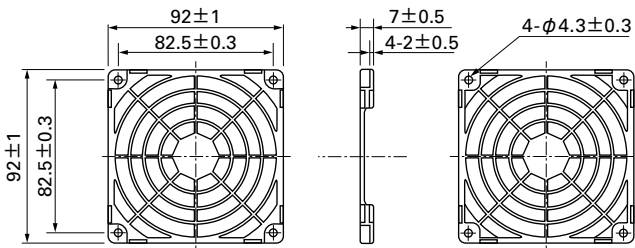
Model : 109-099E Surface treatment : Nickel-chrome plating (silver) Color
: 109-099H : Cation electropainting (black)



Options (unit: mm)

Resin Finger Guards

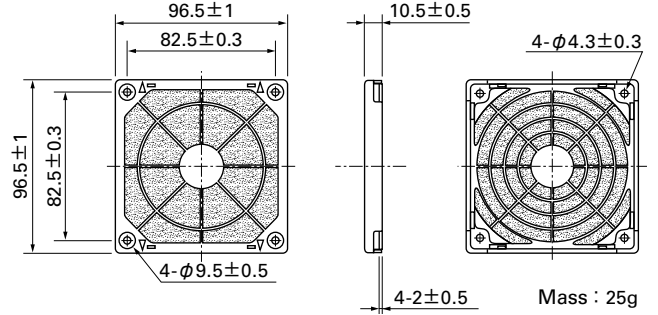
Model : 109-1001G



Mass : 12g

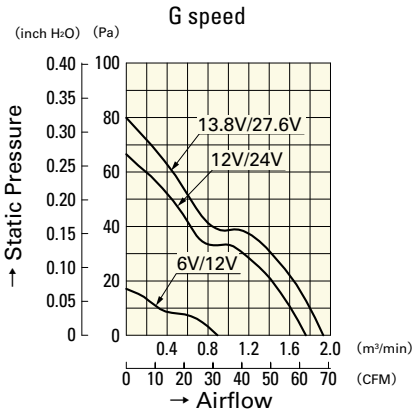
Resin Filter Kits

Model : 109-1001F13 (13PPI), 109-1001F20 (20PPI)
: 109-1001F30 (30PPI), 109-1001F40 (40PPI)

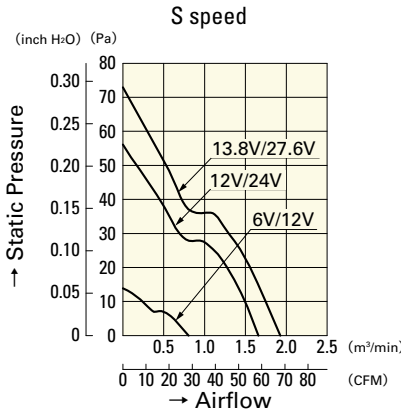


Mass : 25g

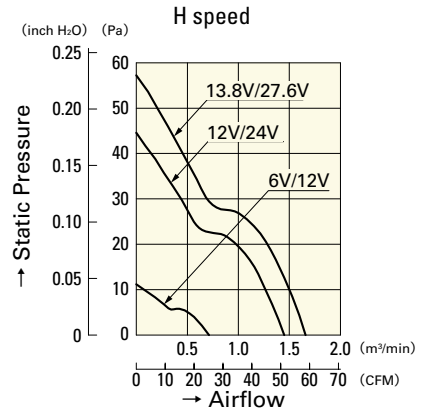
Airflow - Static Pressure Characteristics



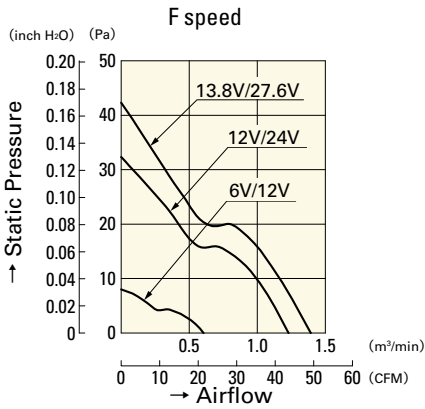
9A0912G401
9A0924G401



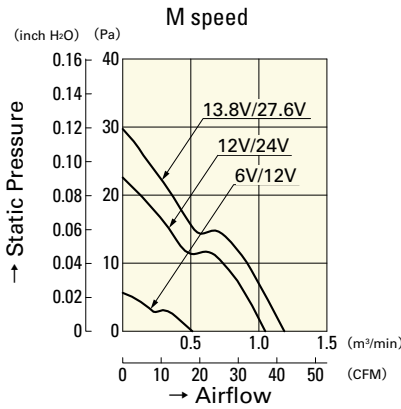
9A0912S401
9A0924S401



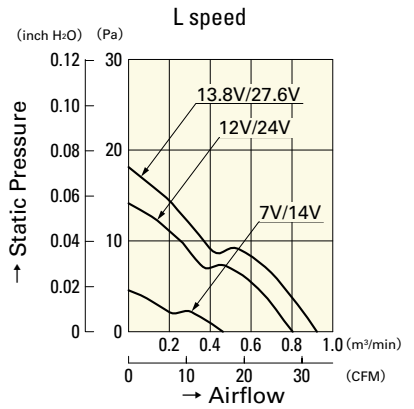
9A0912H401
9A0924H401



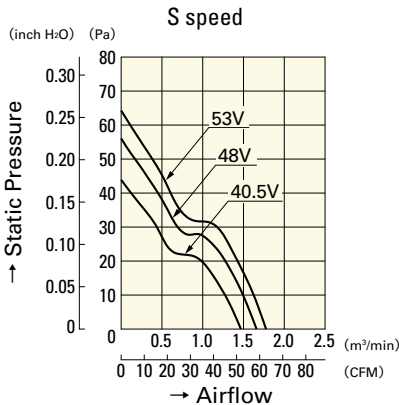
9A0912F401
9A0924F401



9A0912M401
9A0924M401



9A0912L401
9A0924L401



9A0948S401