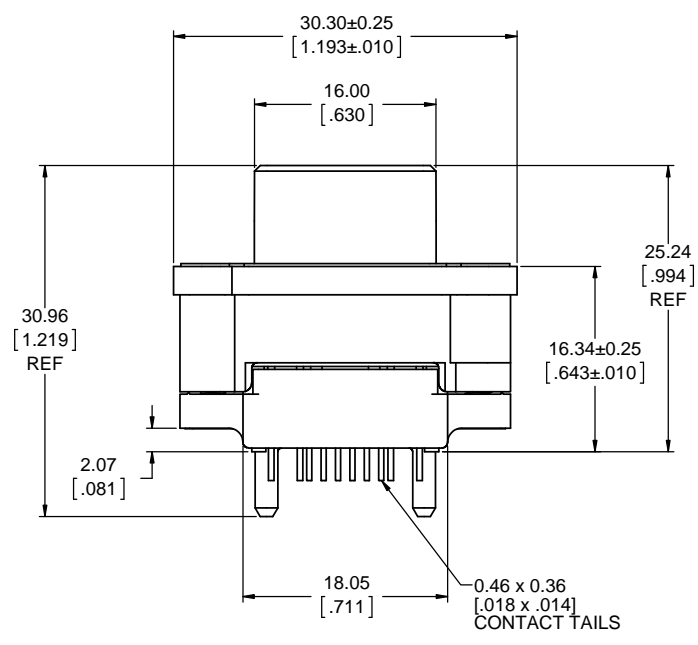
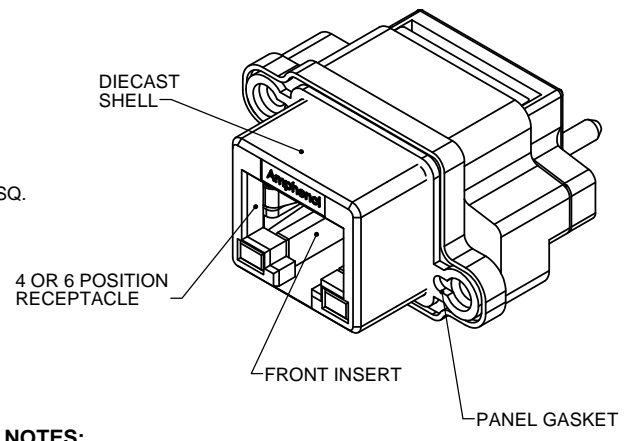
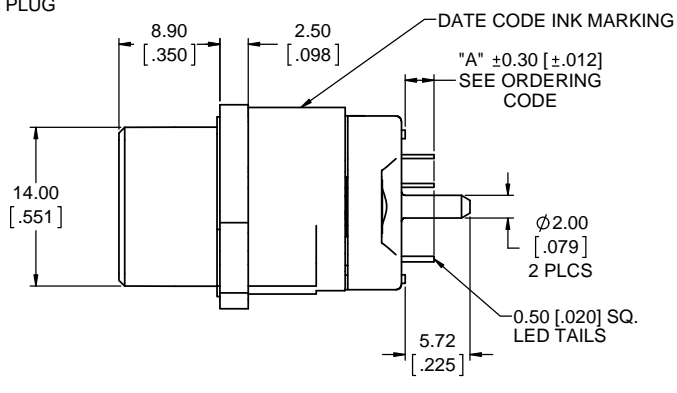
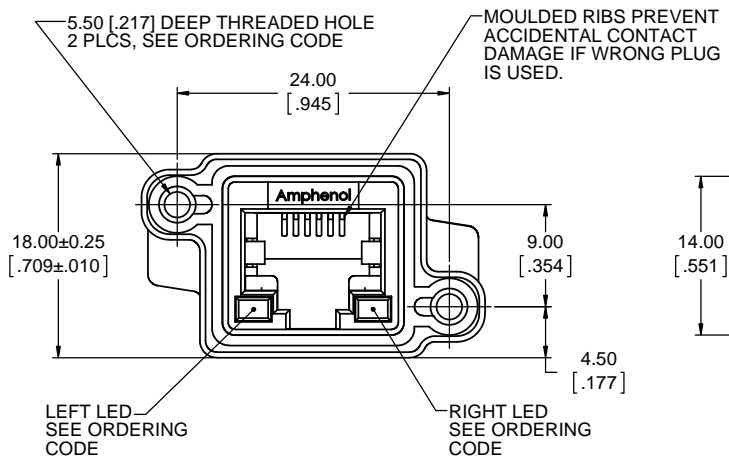


REVISIONS			
REV	DESCRIPTION, ECN, EAR NO.	DATE	APP'D
B	PRODUCT DRAWING (EAR 14091)	JUL24/12	K.L.
C	PRODUCT DRAWING (ECN E12460)	DEC12/12	K.L.



ORDERING CODE: MRJR - 34 X X - X F

SERIES RUGGED RJ

RJ 11 RECEPTACLE, VERTICAL PCB TAIL

NUMBER OF CONTACTS
4 = 4 CONTACTS
6 = 6 CONTACTS

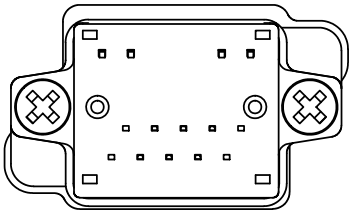
LED OPTION
0 = NONE
1 = LEFT GREEN, RIGHT YELLOW
4 = LEFT YELLOW, RIGHT GREEN
5 = LEFT GREEN, RIGHT GREEN

TAIL LENGTH & MOUNTING HOLE THREAD OPTION
0="A" 2.54 [.100], #4-40 UNC
B="A" 3.81 [.150], #4-40 UNC
M="A" 2.54 [.100], M3 x 0.5
P="A" 3.81 [.150], M3 x 0.5

SINGLE PORT WITH THREADED MOUNTING HOLES

SPECIAL CONNECTORS
MANY UNIQUE FEATURES ARE READILY AVAILABLE TO SUIT CUSTOMER REQUIREMENTS. CONSULT WITH AMPHENOL CANADA FOR DETAILS.

- NOTES:**
- MATERIAL:
ALL MATERIALS ARE RoHS COMPLIANT PER EU DIRECTIVE 2011/65/EU AND AMENDMENTS
 - SHELL - DIECAST ZINC, NICKEL PLATED
 - CONTACTS - PHOSPHOR BRONZE WITH 1.27µm [50µ"] MIN. GOLD OVER 1.27µm [50µ"] MIN. NICKEL ON THE MATING AREA AND MATTE TIN OVER NICKEL ON THE CONTACT TAILS.
 - INSERTS - ENGINEERING THERMOPLASTIC, UL94V-0, REAR INSERTS: BLACK NYLON, FRONT INSERT: CLEAR POLYCARBONATE.
 - GASKET: SILICONE RUBBER, CONDUCTIVE, BLACK.
 - LED'S - EPOXY LENS, STEEL TAILS WITH TIN PLATING.
 - ENVIRONMENTAL PERFORMANCE PER IEC 60529 CODE IP67 FOR SEAL BETWEEN MATING AREA AND PCB SIDE OF CONNECTOR. GASKET PROVIDES SEAL TO INSIDE FACE OF PANEL.
 - CURRENT RATING: 1.5 AMPERES.
 - CONTACT RESISTANCE: 30 MILLIOHMS MAXIMUM.
 - OPERATING TEMPERATURE: -40°C TO +105°C.
 - LED CHARACTERISTICS: FORWARD DC CURRENT 25 mA MAX., FORWARD VOLTAGE 2.5V MAX. @ 2 mA.
 - RECOMMENDED TORQUE FOR PANEL MOUNT SCREWS: 0.45 TO 0.65 N-m (4.0 TO 5.75 IN-LBS) FOR STEEL SCREWS WITH 3.00 (.118) THREAD ENGAGEMENT.
 - CUSTOMER TO VERIFY THAT ALL PROCESS CLEANERS ARE COMPATIBLE WITH POLYCARBONATE MATERIAL.
 - AVAILABLE MATING AREA COVERS PROVIDE ADDED PROTECTON. CONSULT WITH AMPHENOL CANADA FOR DETAILS.



UNLESS SPECIFIED OTHERWISE	DRAWN	A.ESPIE	JUN07/12
PRIMARY UNITS MILLIMETERS	CHECKED		
SECONDARY INCHES	M.E. APP'D		
REFERENCE IN PARENTHESES	Q.A. APP'D		
GENERAL TOLERANCES	DWG APPR.	K.LAMBIE	JUN12/12
1 DECIMAL PLACE	ENG. REL. NO.	EAR 14091	
2 DECIMAL PLACES ±0.15	REF.		
3 DECIMAL PLACES	THIRD ANGLE PROJECTION		
ANGULAR DEGREES	DO NOT SCALE DRAWING		

Amphenol Canada Corp.
www.amphenolcanada.com

MRJR SERIES RUGGED MODULAR JACK, 6 POSITION, 4 OR 6 CONTACTS, VERTICAL PCB TAIL, OPTIONS FOR LED, THREAD & TAIL LENGTH, RoHS COMPLIANT

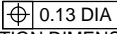
DWG. NO. **P-MRJR-34XX-XF** REV **C**

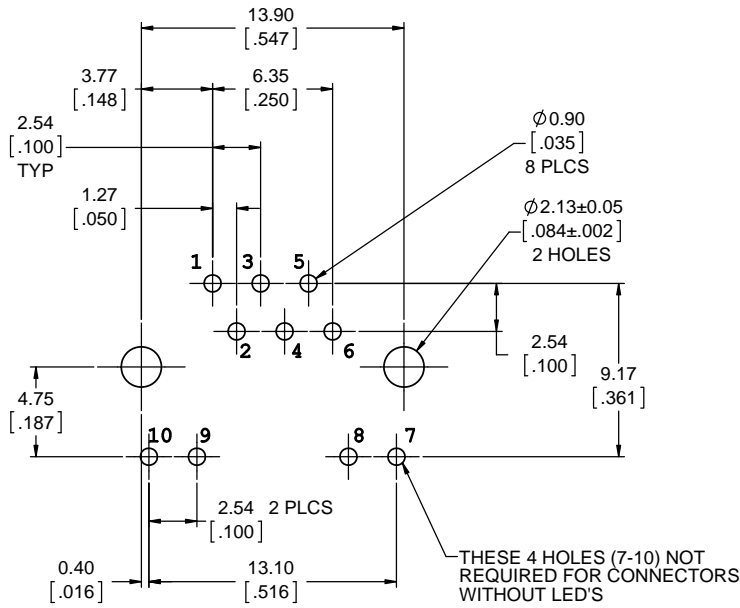
CODE ID NO. 03554 DWG SIZE: X SCALE: 3:1 SHEET 1 OF 2

RECOMMENDED PCB LAYOUT
COMPONENT SIDE OF BOARD

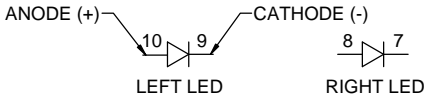
REVISIONS			
REV	DESCRIPTION, ECN, EAR NO.	DATE	APP'D
B	PRODUCT DRAWING (EAR 14091)	JUL24/12	K.L.
C	PRODUCT DRAWING (ECN E12460)	DEC12/12	K.L.

6 POSITION VIEW

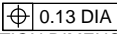
LOCATE HOLES
 0.13 DIA
 POSITION DIMENSIONS ARE BASIC.

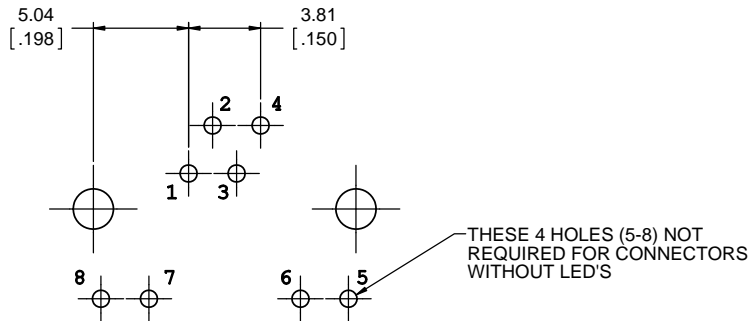


6 POSITION LED SCHEMATIC
GREEN OR YELLOW

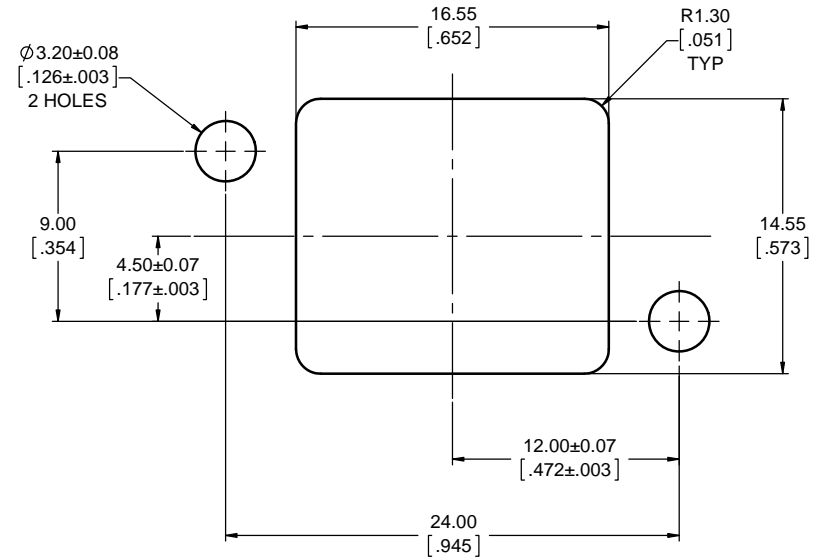
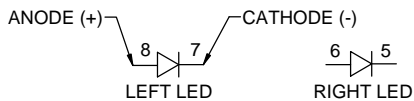


4 POSITION VIEW

LOCATE HOLES
 0.13 DIA
 POSITION DIMENSIONS ARE BASIC.

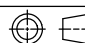


4 POSITION LED SCHEMATIC
GREEN OR YELLOW



RECOMMENDED PANEL CUTOUT
OUTSIDE PANEL VIEW



UNLESS SPECIFIED OTHERWISE	DRAWN	A.ESPIE	JUN07/12
PRIMARY UNITS MILLIMETERS	CHECKED	M.E. APP'D	
SECONDARY UNITS INCHES	Q.A. APP'D		
REFERENCE IN PARENTHESES	DWG APPR.	K.LAMBIE	JUN12/12
GENERAL TOLERANCES	ENG. REL. NO.	EAR 14091	
1 DECIMAL PLACE	REF.		
2 DECIMAL PLACES ±0.15	THIRD ANGLE PROJECTION		DO NOT SCALE DRAWING
3 DECIMAL PLACES			
ANGULAR DEGREES			

Amphenol Canada Corp. www.amphenolcanada.com			
MRJR SERIES RUGGED MODULAR JACK, 6 POSITION, 4 OR 6 CONTACTS, VERTICAL PCB TAIL, OPTIONS FOR LED, THREAD & TAIL LENGTH, RoHS COMPLIANT			
DWG. NO.	P-MRJR-34XX-XF		REV C
CODE ID NO. 03554	DWG SIZE: X	SCALE: 5:1	SHEET 2 OF 2