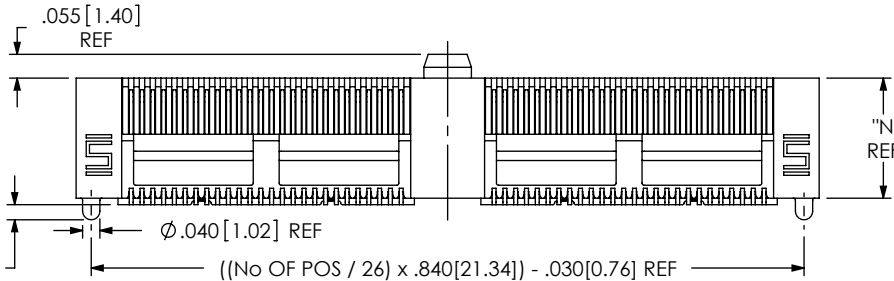
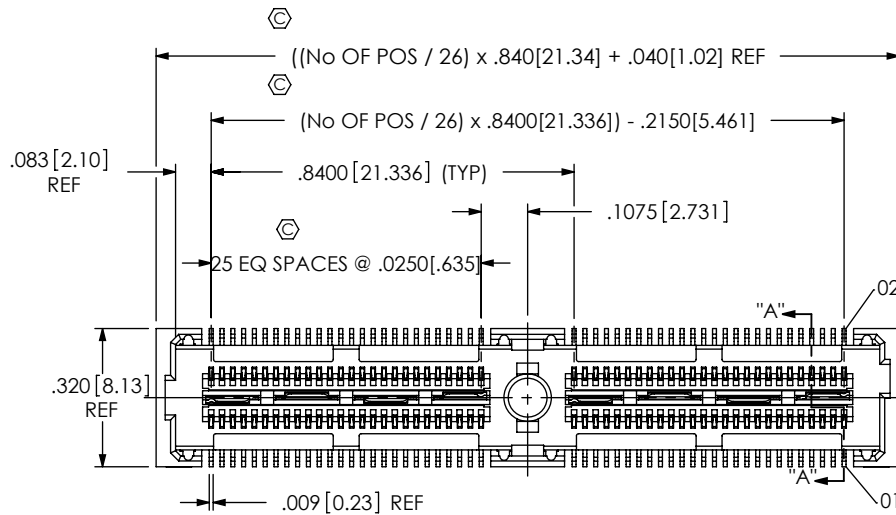


DO NOT SCALE FROM THIS PRINT

QFS-XXX-XX.XX-XX-D-XX-XXX-XX



No OF POSITIONS-
-026, -052, -078, -104, *-130
(PER ROW)

LEAD STYLE
-04.25 (SEE NOTE 9)
-06.25

PLATING SPECIFICATION

- L: 10μ" SELECTIVE GOLD IN CONTACT AREA, MATTE TIN ON TAIL (SEE TABLE 7) (AVAILABLE ON -04.25 LEAD STYLE ONLY)
- H: 30μ" GOLD IN CONTACT AREA, 3μ" GOLD ON TAIL (SEE TABLE 7) (AVAILABLE ON -04.25 LEAD STYLE ONLY)
- S: 30μ" SELECTIVE GOLD IN CONTACT AREA, MATTE TIN ON TAIL (SEE TABLE 7) (AVAILABLE ON -06.25 LEAD STYLE ONLY)
- SL: 10μ" SELECTIVE GOLD IN CONTACT AREA, MATTE TIN ON TAIL (SEE TABLE 7) (AVAILABLE ON -06.25 LEAD STYLE ONLY)

ROW SPECIFICATION
-D: DOUBLE

OPTION

- A: ALIGNMENT PIN (SEE FIG 2, SHEET 2) (AVAILABLE ON -04.25 LEAD STYLE ONLY)
- GP: GUIDE HOLE (SEE FIG 2, SHEET 2)
- P: PICK AND PLACE PAD (USE PPP-51, SEE FIG 4, SHEET 2)

* = NOT TOOLED

PACKAGING OPTION
-TR: TAPE & REEL PACKAGING
(-026 & -052 POS'S AVAILABLE IN -04.25 LEAD STYLE WITH ALL OPTIONS)
(-026 THRU -078 AVAILABLE IN -06.25 LEAD STYLE WITH NO END OPTIONS)
(-078 AVAILABLE WITH NO END OPTIONS)
(-104 & -130 NOT AVAILABLE IN -TR)

END OPTIONS

- PC4: 4 POWER POS PER END (.062" THICK BOARD) (SEE FIG 3, SHEET 3)
- PC8: 8 POWER POS PER END (.062" THICK BOARD) (SEE FIG 3, SHEET 3)
- PT4: 4 POWER POS PER END (.093" THICK BOARD) (SEE FIG 3, SHEET 3)
- PT8: 8 POWER POS PER END (.093" THICK BOARD) (SEE FIG 3, SHEET 3)
- RF1: 1 RF POS PER END (SEE FIG 5, SHEET 4)
- RF2: 2 RF POS PER END (SEE FIG 6, SHEET 4)
- RT1: 1 RT POS PER END (SEE FIG 7, SHEET 5)

(-PXX & -RFX NOT AVAILABLE IN COMBINATION WITH -A OR -GP) (END OPTION APPLIES TO BOTH ENDS, COMBINATIONS ARE NOT AVAILABLE)
(-PXX & -RFX AVAILABLE IN POS -026, -052, & -078 ONLY)
(-RT1 AVAILABLE IN -026, -052, -078, & -104 POS WITH -A OPTION ONLY)
(-PXX, -RFX, & -RT1 AVAILABLE ON -04.25 LEAD STYLE ONLY)

LEAD STYLE	"M"	"N"	QFS BODY	CONTACT	GROUND PLANE	MATED TO QMS-XX.XX	MATED HEIGHT
-04.25	.293	.278	QFSS-26-04.25-D-XX-X	C-181-04.25-XX	T-1G20-04.25-L	QMS-05.75	.394[10.00] REF
						QMS-06.75	.433[11.00] REF
						QMS-09.75	.551[14.00] REF
-06.25	.371	.356	QFSS-26-06.25-D-XX-X	C-223-06.25-XX	T-1G28-06.25-L	QMS-05.75	.472[12.00] REF
						QMS-06.75	.512[13.00] REF
						QMS-09.75	.630[16.00] REF

No OF POSITIONS	No OF BANKS	COPLANARITY
-026 THRU -078	1 THRU 3	.004[.10]
-104 AND -130	4 AND 5	.006[.15]

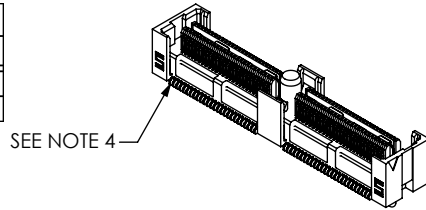
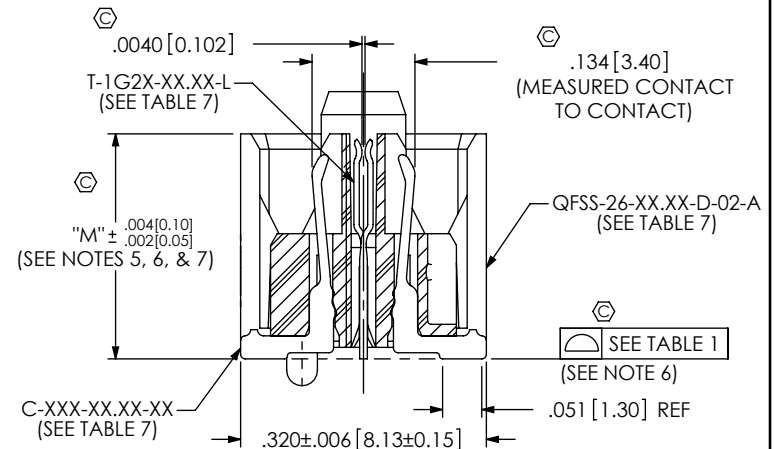


FIG 1
QFS-052-04.25-X-D-A SHOWN



- NOTES:
- ⊙ REPRESENTS A CRITICAL DIMENSION.
 - BURR ALLOWANCE: .0015[0.038] MAX.
 - MINIMUM PUSHOUT FORCE: SIGNAL: .5 LB, GROUND: 1 LB, POWER: .5 LB, RF: .5 LB.
 - ALL CONTACTS ON THE -04.25 LEAD STYLE WILL BE SHEARED.
 - MAX VARIANCE OF .002[0.05].
 - DIMENSION APPLIES TO CONTACTS & GROUND PLANE.
 - GROUND PLANE PRESS HEIGHT MUST BE .003 [.08] LESS THAN THE MAX HEIGHT OR .001 [.03] GREATER THAN THE MINIMUM HEIGHT OF THE TERMINAL.
 - PARTS TO BE PACKAGED IN TRAYS.
 - LEADSTYLE -01 MAY BE SUBSTITUTED IN PART CALLOUT FOR -04.25 FOR EXISTING CUSTOMERS ONLY

CPC FREQUENCY THIS SHEET	
A	C1
B	C2, C3, C4, C5, C7, C8
C	
D	

UNLESS OTHERWISE SPECIFIED, DIMENSIONS ARE IN INCHES.
TOLERANCES ARE:
DECIMALS ANGLES
.XX: ±.01 [.3] 2°
.XXX: ±.005 [.13]
.XXXX: ±.0020 [.051]

MATERIAL: DO NOT SCALE DRAWING
INSULATOR: LCP, COLOR: BLACK
CONTACTS & GROUND PLANE: PHOS BRONZE

PROPRIETARY NOTE
THIS DOCUMENT CONTAINS INFORMATION CONFIDENTIAL AND PROPRIETARY TO SAMTEC, INC. AND SHALL NOT BE REPRODUCED OR TRANSFERRED TO OTHER DOCUMENTS OR DISCLOSED TO OTHERS OR USED FOR ANY PURPOSE OTHER THAN THAT WHICH IT WAS OBTAINED WITHOUT THE EXPRESSED WRITTEN CONSENT OF SAMTEC, INC.

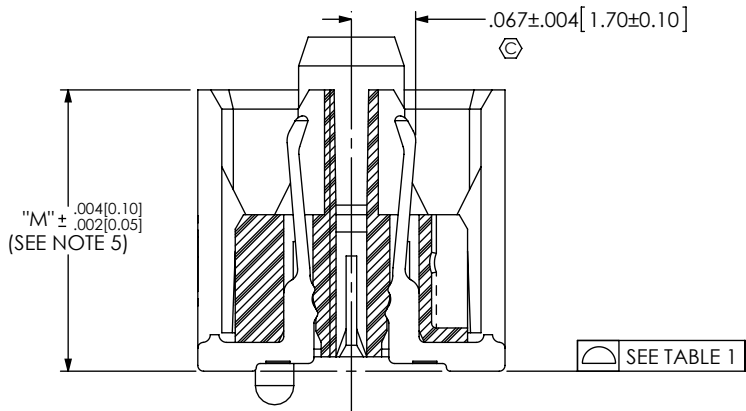
SHEET SCALE: 2.25:1



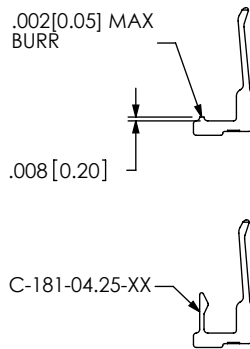
520 PARK EAST BLVD, NEW ALBANY, IN 47150
PHONE: 812-944-6733 FAX: 812-948-5047
e-Mail: info@SAMTEC.com code: 55322

DESCRIPTION:
.635mm DOUBLE ROW TERMINAL STRIP
DWG. NO.
QFS-XXX-XX.XX-XX-D-XX-XXX-XX
BY: E.L.S. 6/09/2003 SHEET 1 OF 5

IN-PROCESS 1



CONTACT DETAILS
(SEE NOTE 4)



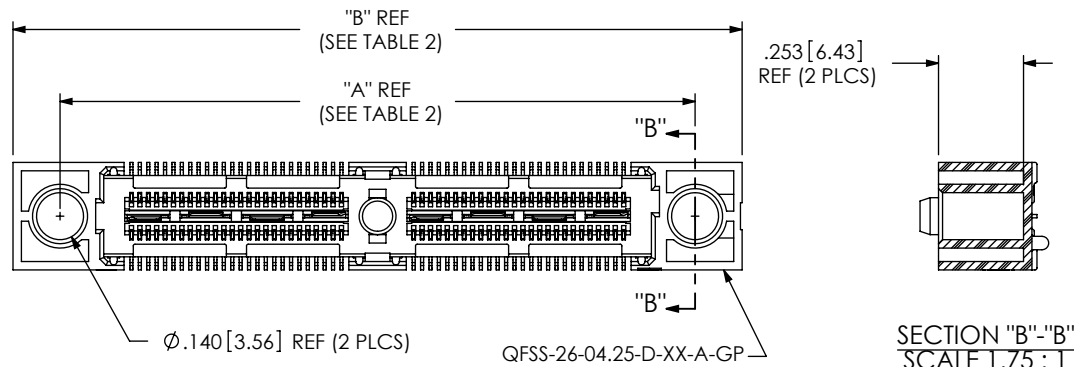
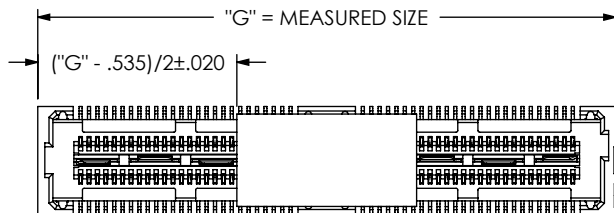
ASSEMBLY	"A"	"B"
QFS-026-04.25-X-D-A-GP	1.050[26.67]	1.330[33.78]
QFS-052-04.25-X-D-A-GP	1.890[48.00]	2.170[55.12]
QFS-078-04.25-X-D-A-GP	2.730[69.34]	3.010[76.45]
QFS-104-04.25-X-D-A-GP	3.570[90.68]	3.850[97.79]
* QFS-130-04.25-X-D-A-GP	4.410[112.01]	4.690[119.13]

* NOT TOOLED

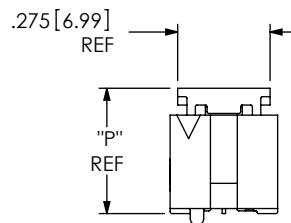
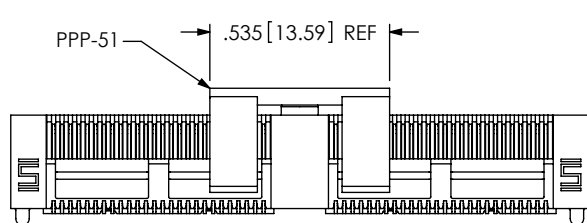
FIG 2

-GP: GUIDE HOLE OPTION
(QFS-052-04.25-X-D-A-GP SHOWN)
(NOT AVAILABLE WITH -PXX OPTIONS)
(AVAILABLE ON -.04.25 LEAD STYLE ONLY)

FIG 4
-P: PICK & PLACE PAD OPTION



LEAD STYLE	"P"
-04.25	.373[9.47]
-06.25	.451[11.46]



CPC FREQUENCY THIS SHEET	
A	
B	C23
C	
D	

PROPRIETARY NOTE
THIS DOCUMENT CONTAINS INFORMATION CONFIDENTIAL AND PROPRIETARY TO SAMTEC, INC. AND SHALL NOT BE REPRODUCED OR TRANSFERRED TO OTHER DOCUMENTS OR DISCLOSED TO OTHERS OR USED FOR ANY PURPOSE OTHER THAN THAT WHICH IT WAS OBTAINED WITHOUT THE EXPRESSED WRITTEN CONSENT OF SAMTEC, INC.

DO NOT SCALE DRAWING

SHEET SCALE: 2.5:1



520 PARK EAST BLVD, NEW ALBANY, IN 47150
PHONE: 812-944-6733 FAX: 812-948-5047
e-Mail: info@SAMTEC.com code: 55322

DESCRIPTION:
.635mm DOUBLE ROW TERMINAL STRIP

DWG. NO.
QFS-XXX-XX.XX-XX-D-XX-XXX-XX

BY: E.L.S. 6/09/2003 SHEET 2 OF 5

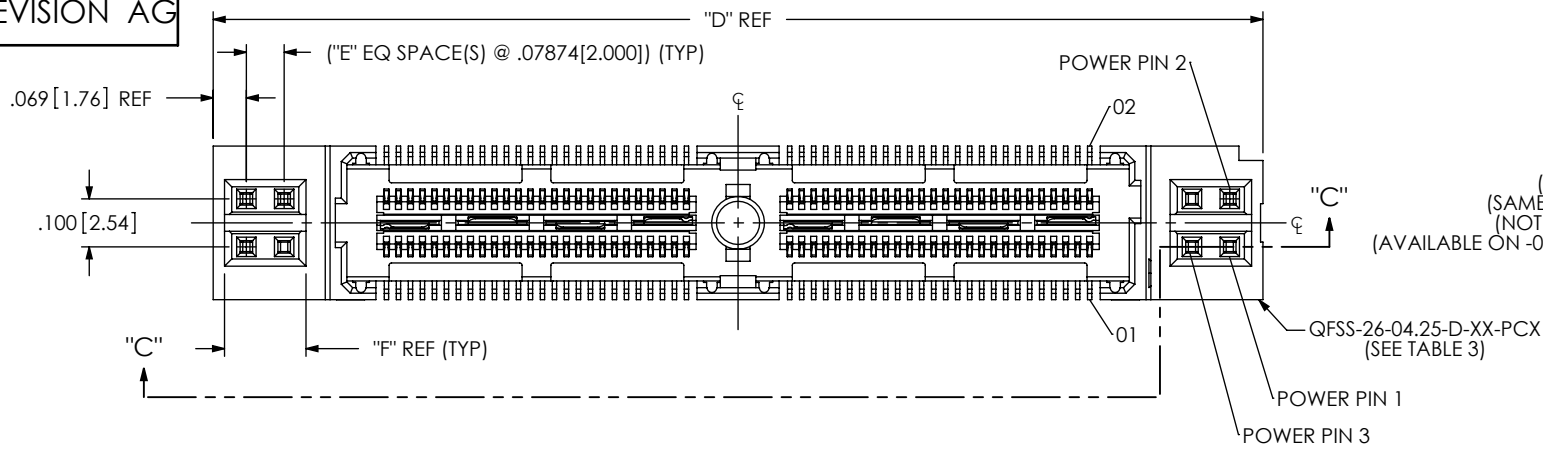


FIG 3
 POWER COMBO OPTIONS
 (QFS-052-04.25-X-D-PC4 SHOWN)
 (SAME AS FIG 1, UNLESS OTHERWISE STATED)
 (NOT AVAILABLE WITH -A OR -GP OPTION)
 (AVAILABLE ON -04.25 LEAD STYLE ONLY, POS -026, -052, -078 ONLY)

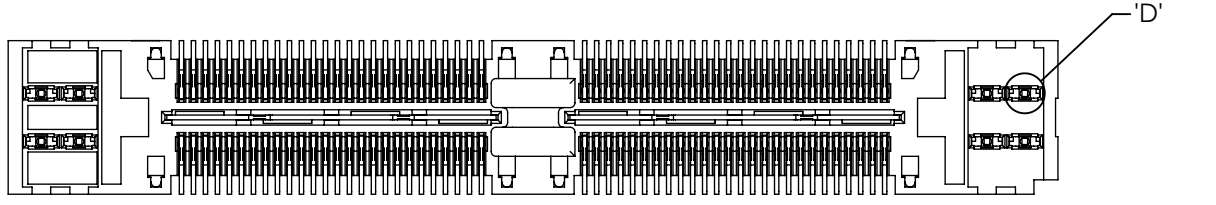
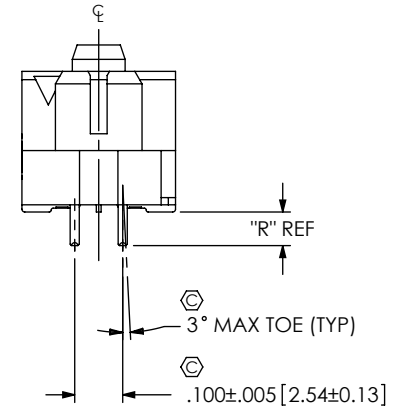
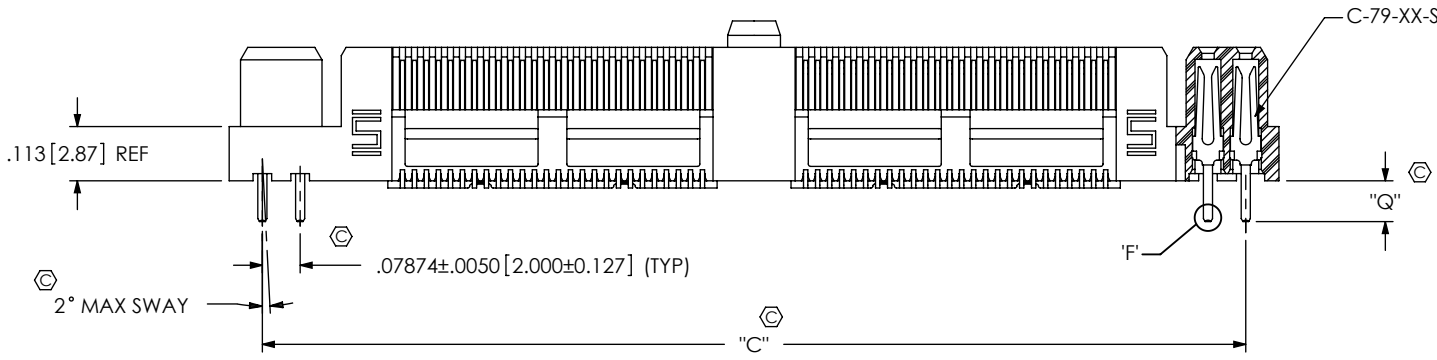


TABLE 9

POWER OPTION	CONTACT	"Q"	"R"
PC4/PC8	C-79-06-S	.085[2.16]	.070[1.78]
PT4/PT8	C-79-09-S	.125[3.18]	.110[2.79]

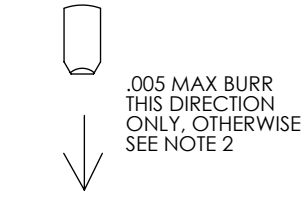
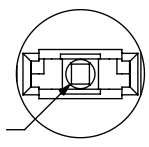


TABLE 3

ASSEMBLY	QFSS-26-04.25-D-XX-PCX	"C"	"D"	"E"	"F"
QFS-026-04.25-X-D-PX4	QFSS-26-04.25-D-01-PC4	1.209[30.70]	1.347[34.21]	1	.170[4.31]
QFS-026-04.25-X-D-PX8	QFSS-26-04.25-D-01-PC8	1.524[38.70]	1.662[42.21]	3	.327[8.31]
QFS-052-04.25-X-D-PX4	QFSS-26-04.25-D-02-PC4	2.049[52.04]	2.187[55.55]	1	.170[4.31]
QFS-052-04.25-X-D-PX8	QFSS-26-04.25-D-02-PC8	2.364[60.04]	2.502[63.55]	3	.327[8.31]
QFS-078-04.25-X-D-PX4	QFSS-26-04.25-D-03-PC4	2.889[73.37]	3.027[76.89]	1	.170[4.31]
QFS-078-04.25-X-D-PX8	QFSS-26-04.25-D-03-PC8	3.204[81.37]	3.342[84.89]	3	.327[8.31]

CPC FREQUENCY THIS SHEET

A	
B	C9, 10, 12, 13
C	
D	

PROPRIETARY NOTE
 THIS DOCUMENT CONTAINS INFORMATION CONFIDENTIAL AND PROPRIETARY TO SAMTEC, INC. AND SHALL NOT BE REPRODUCED OR TRANSFERRED TO OTHER DOCUMENTS OR DISCLOSED TO OTHERS OR USED FOR ANY PURPOSE OTHER THAN THAT WHICH IT WAS OBTAINED WITHOUT THE EXPRESSED WRITTEN CONSENT OF SAMTEC, INC.

DO NOT SCALE DRAWING

SHEET SCALE: 2.5:1

samtec

520 PARK EAST BLVD, NEW ALBANY, IN 47150
 PHONE: 812-944-6733 FAX: 812-948-5047
 e-Mail: info@SAMTEC.com code: 55322

DESCRIPTION:
 .635mm DOUBLE ROW TERMINAL STRIP

DWG. NO.
QFS-XXX-XX.XX-XX-D-XX-XXX-XX

BY: E.L.S. 6/09/2003 SHEET 3 OF 5

FIG 5

-RF1 OPTION
 (QFS-052-04.25-X-D-RF1 SHOWN)
 (SAME AS FIG 3, UNLESS OTHERWISE STATED)
 (NOT AVAILABLE WITH -A OR -GP OPTIONS)
 (AVAILABLE ON -04.25 LEAD STYLE, POSITIONS -026, -052, & -078 ONLY)

ASSEMBLY		TABLE 5	
		"H"	"J"
QFS-026-04.25-X-D-RF1	QFSS-26-04.25-D-01-RF1	1.403[35.64]	1.153[29.29]
QFS-026-04.25-X-D-RF2	QFSS-26-04.25-D-01-RF2	1.903[48.34]	1.653[41.99]
QFS-052-04.25-X-D-RF1	QFSS-26-04.25-D-02-RF1	2.243[56.97]	1.993[50.62]
QFS-052-04.25-X-D-RF2	QFSS-26-04.25-D-02-RF2	2.743[69.67]	2.493[63.32]
QFS-078-04.25-X-D-RF1	QFSS-26-04.25-D-03-RF1	3.083[78.31]	2.833[71.96]
QFS-078-04.25-X-D-RF2	QFSS-26-04.25-D-03-RF2	3.583[91.01]	3.333[84.66]

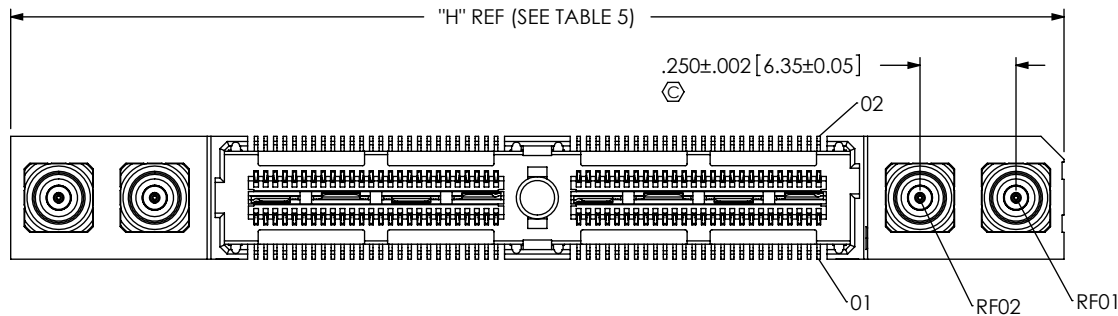
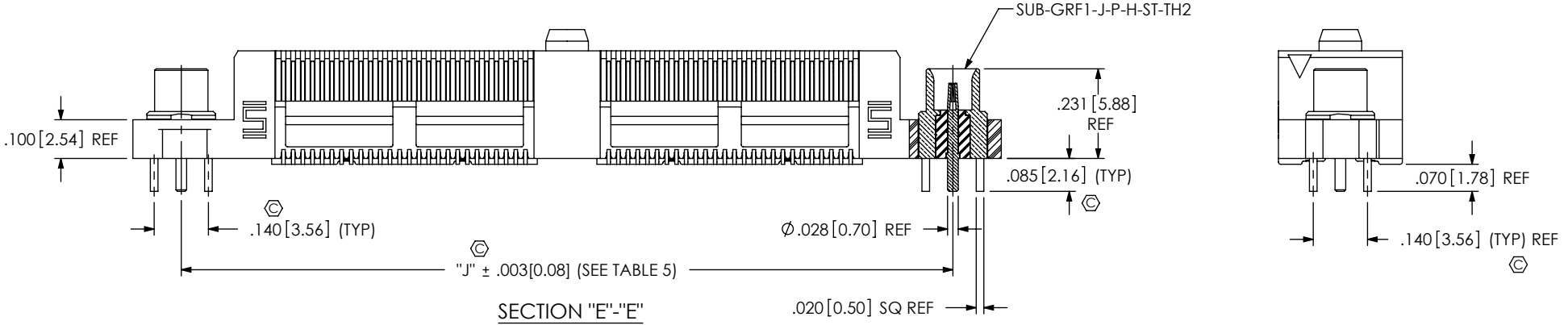
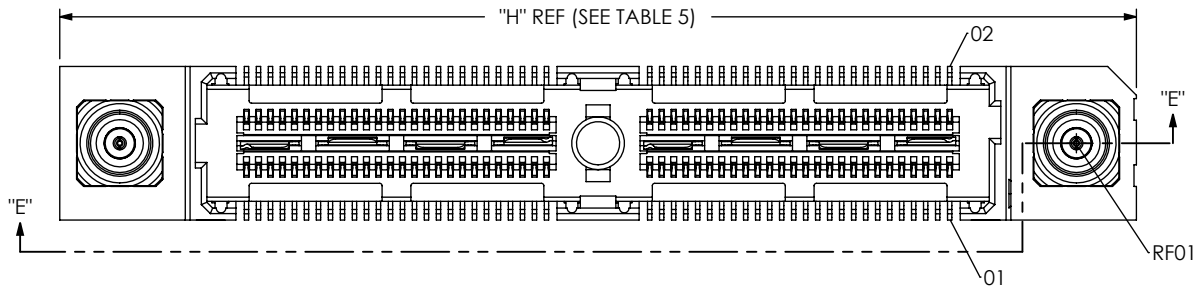
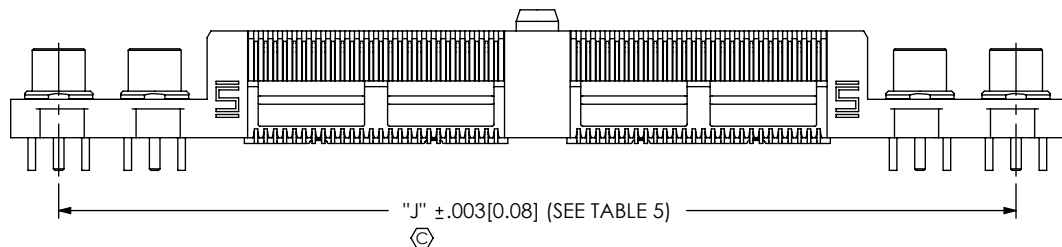


FIG 6
 -RF2 OPTION
 (QFS-052-04.25-X-D-RF2 SHOWN)
 (SAME AS FIG 5, UNLESS OTHERWISE STATED)
 (NOT AVAILABLE WITH -A OR -GP OPTIONS)
 (AVAILABLE ON -04.25 LEAD STYLE, POSITIONS -026, -052, & -078 ONLY)



CPC FREQUENCY THIS SHEET	
A	C18
B	C15, C16, C17, C19, C20
C	
D	

PROPRIETARY NOTE
 THIS DOCUMENT CONTAINS INFORMATION CONFIDENTIAL AND PROPRIETARY TO SAMTEC, INC. AND SHALL NOT BE REPRODUCED OR TRANSFERRED TO OTHER DOCUMENTS OR DISCLOSED TO OTHERS OR USED FOR ANY PURPOSE OTHER THAN THAT WHICH IT WAS OBTAINED WITHOUT THE EXPRESSED WRITTEN CONSENT OF SAMTEC, INC.

DO NOT SCALE DRAWING

SHEET SCALE: 2.5:1



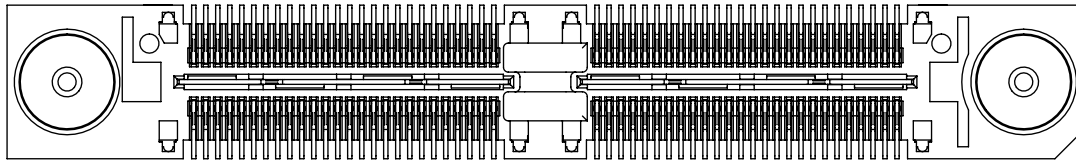
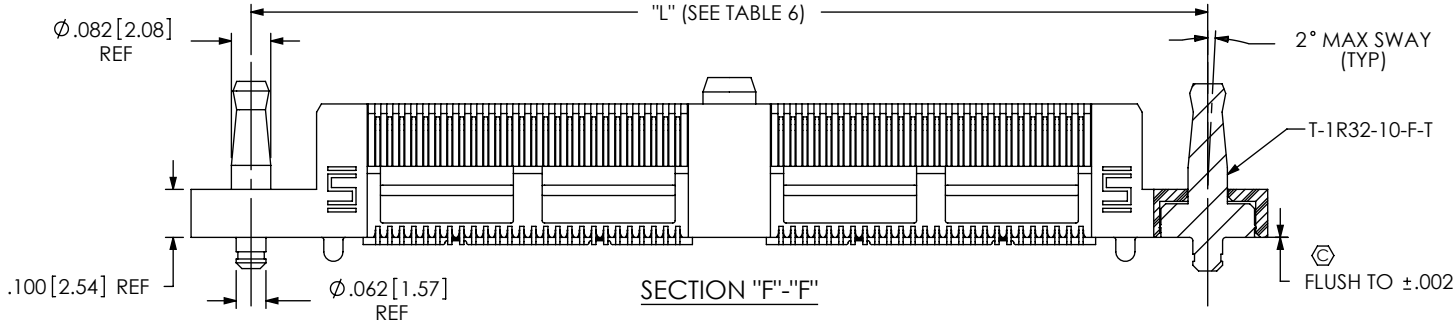
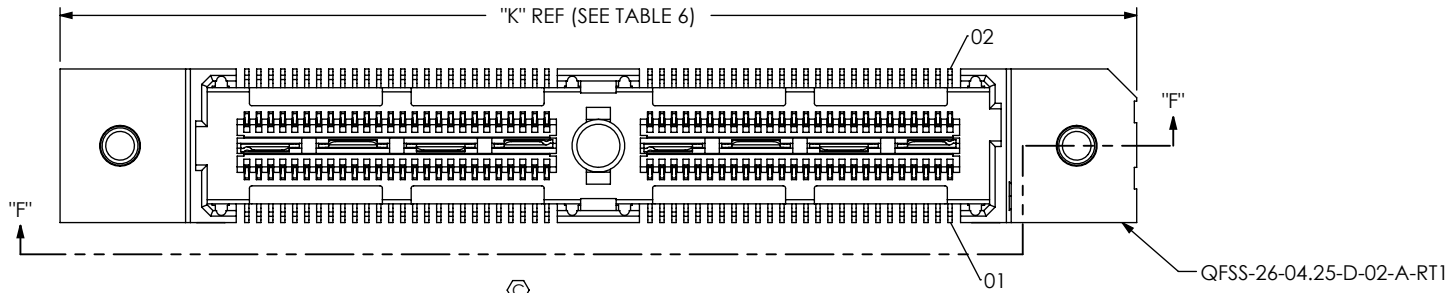
520 PARK EAST BLVD, NEW ALBANY, IN 47150
 PHONE: 812-944-6733 FAX: 812-948-5047
 e-Mail: info@SAMTEC.com code: 55322

DESCRIPTION:
 .635mm DOUBLE ROW TERMINAL STRIP
 DWG. NO.
QFS-XXX-XX.XX-XX-D-XX-XXX-XX
 BY: E.L.S. 6/09/2003 SHEET 4 OF 5

FIG 7

-RT1 OPTION
 (QFS-052-04.25-X-D-A-RT1 SHOWN)
 (SAME AS FIG 3, UNLESS OTHERWISE STATED)
 (NOT AVAILABLE WITH -GP OR -RFX OPTIONS)
 (AVAILABLE ON -04.25 LEAD STYLE, POSITIONS -026, -052, -078, & -104 WITH -A OPTION ONLY)

TABLE 6			
ASSEMBLY	QFSS-26-04.25-D-XX-RTX	"K"	"L"
QFS-026-04.25-X-D-A-RT1	QFSS-26-04.25-D-01-A-RT1	1.403[35.64]	1.153[29.29]
QFS-052-04.25-X-D-A-RT1	QFSS-26-04.25-D-02-A-RT1	2.243[56.97]	1.993[50.62]
QFS-078-04.25-X-D-A-RT1	QFSS-26-04.25-D-03-A-RT1	3.083[28.31]	2.833[71.96]
QFS-104-04.25-X-D-A-RT1	QFSS-26-04.25-D-04-A-RT1	3.923[99.64]	3.673[93.29]




F:\DWG\MISC\MKTG\QFS-XXX-XX.XX-D-XX-XXX-XX-MKT.SLDDRW

CPC FREQUENCY THIS SHEET	
A	
B	C21
C	
D	

PROPRIETARY NOTE
 THIS DOCUMENT CONTAINS INFORMATION CONFIDENTIAL AND PROPRIETARY TO SAMTEC, INC. AND SHALL NOT BE REPRODUCED OR TRANSFERRED TO OTHER DOCUMENTS OR DISCLOSED TO OTHERS OR USED FOR ANY PURPOSE OTHER THAN THAT WHICH IT WAS OBTAINED WITHOUT THE EXPRESSED WRITTEN CONSENT OF SAMTEC, INC.

DO NOT SCALE DRAWING
 SHEET SCALE: 2.5:1



520 PARK EAST BLVD, NEW ALBANY, IN 47150
 PHONE: 812-944-6733 FAX: 812-948-5047
 e-Mail: info@SAMTEC.com code: 55322

DESCRIPTION: .635mm DOUBLE ROW TERMINAL STRIP	
DWG. NO. QFS-XXX-XX.XX-D-XX-XXX-XX	
BY: E.L.S.	6/09/2003
SHEET 5 OF 5	