

MATERIAL # 46114-1224
SHOWN

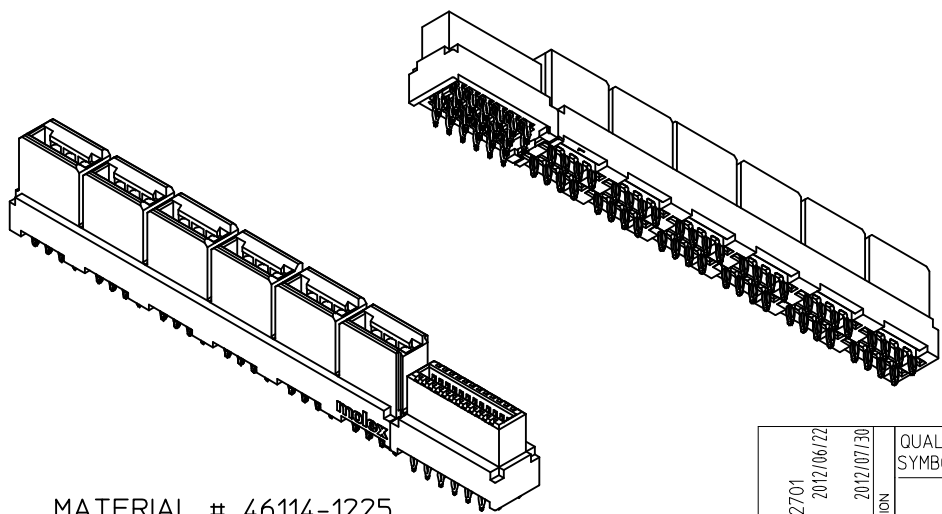
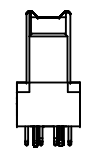
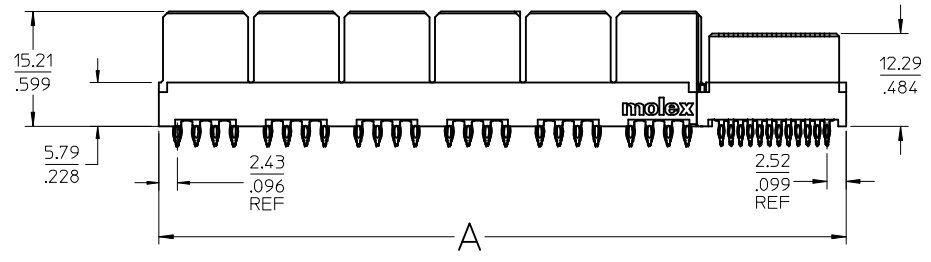
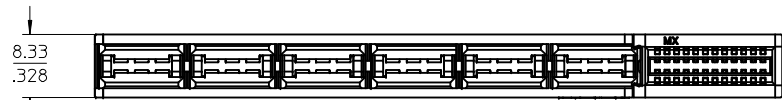
NO OF SIGNALS	MATERIAL NUMBER	COMPLIANT PIN PLATING	DIM A	DIM B	DIM C
12	46114-1212	TIN	89.01/3.504	89.51/3.524	5.45/2.15
	46114-1312	TIN-LEAD			
16	46114-1216	TIN	91.55/3.604	92.05/3.624	
	46114-1316	TIN-LEAD			
20	46114-1220	TIN	94.09/3.704	94.59/3.724	
	46114-1320	TIN-LEAD			
24	46114-1224	TIN	96.63/3.804	97.13/3.824	
	46114-1324	TIN-LEAD			
28	46114-1228	TIN	99.17/3.904	99.67/3.924	
	46114-1328	TIN-LEAD			
32	46114-1232	TIN	101.71/4.004	102.21/4.024	
	46114-1332	TIN-LEAD			
36	46114-1236	TIN	104.25/4.104	104.75/4.124	
	46114-1336	TIN-LEAD			
40	46114-1240	TIN	106.79/4.204	107.29/4.224	
	46114-1340	TIN-LEAD			

- NOTES:
 1. MATERIAL: HOUSING: LCP, 94-VO, COLOR: BLACK.
 POWER CONTACTS: COPPER ALLOY.
 SIGNAL CONTACTS: MODIFIED TIN BRASS.
 2. FINISH: SELECT GOLD - 0.75 μM/30 μ INCHES.
 SELECTED TIN - 250 μM/100 μ INCHES.
 OR SELECTED TIN-LEAD - 1.88 μM/75 μ INCHES.
 BOTH OVER NICKEL - 1.25 μM/50 μ INCHES.
 3. POWER TERMINALS ARE LUBRICATED IN CONTACT AREA.
 4. PARTS ARE ROHS COMPLIANT.
 5. MATES TO MOLEX P/N 45985-SERIES OR EDGE CARD 1571.062.
 6. PRODUCT SPECIFICATION PS-46114-001.
 7. PACKAGING: PER PK-46114-003.

TOLERANCE CHANGE		QUALITY SYMBOLS		GENERAL TOLERANCES (UNLESS SPECIFIED)		DIMENSION STYLE		SCALE		DESIGN UNITS		THIRD ANGLE PROJECTION	
EC NO.	DATE	DESCRIPTION	SYMBOL	MM	INCH	MM/IN	DATE	2:1	METRIC	DATE	METRIC	DATE	PROJECTION
D3	2012/06/22	DRWN:MKARADIMAS	▽=0				2007/07/18			2007/07/18			
		CHKD:MKARADIMAS	▽=0				2007/07/20			2007/07/20			
		APPR:APATEL					2009/12/03			2009/12/03			
MATERIAL NO. SD-46114-120		DRAWN BY MKARADIMAS		CHECKED BY APATEL		APPROVED BY JCOMERCI		SCALE 2:1		DESIGN UNITS METRIC		THIRD ANGLE PROJECTION	
SHEET NO. 1 OF 3		DRAWN BY MKARADIMAS		CHECKED BY APATEL		APPROVED BY JCOMERCI		SCALE 2:1		DESIGN UNITS METRIC		THIRD ANGLE PROJECTION	
SIZE D		DRAWN BY MKARADIMAS		CHECKED BY APATEL		APPROVED BY JCOMERCI		SCALE 2:1		DESIGN UNITS METRIC		THIRD ANGLE PROJECTION	

13 12 11 10 9 8 7 6 5 4 3 2 1

J
I
H
G
F
E
D
C
B
A



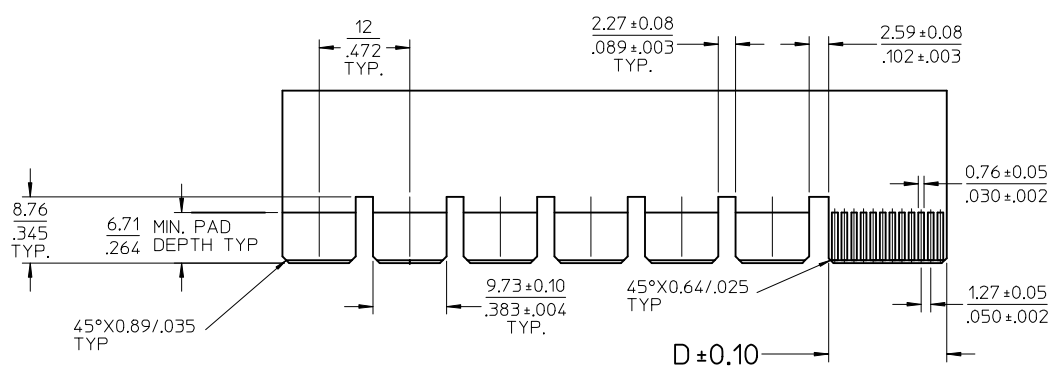
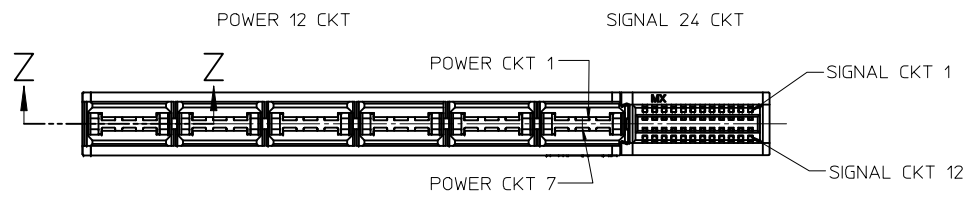
MATERIAL # 46114-1225
SHOWN

NO OF SIGNALS	MATERIAL NUMBER	COMPLIANT PIN PLATING	DIM A	DIM B	DIM C
12	46114-1213	TIN	83.34/3.281	84.84/3.301	2.69/106
	46114-1313	TIN-LEAD			
16	46114-1217	TIN	85.88/3.381	86.38/3.401	
	46114-1317	TIN-LEAD			
20	46114-1221	TIN	88.42/3.481	88.92/3.501	
	46114-1321	TIN-LEAD			
24	46114-1225	TIN	90.96/3.581	91.46/3.601	
	46114-1325	TIN-LEAD			
28	46114-1229	TIN	93.50/3.681	94.00/3.701	
	46114-1329	TIN-LEAD			
32	46114-1233	TIN	96.04/3.781	96.54/3.801	
	46114-1333	TIN-LEAD			
36	46114-1237	TIN	98.58/3.881	99.08/3.901	
	46114-1237	TIN-LEAD			
40	46114-1241	TIN	101.12/3.981	102.62/4.001	
	46114-1341	TIN-LEAD			

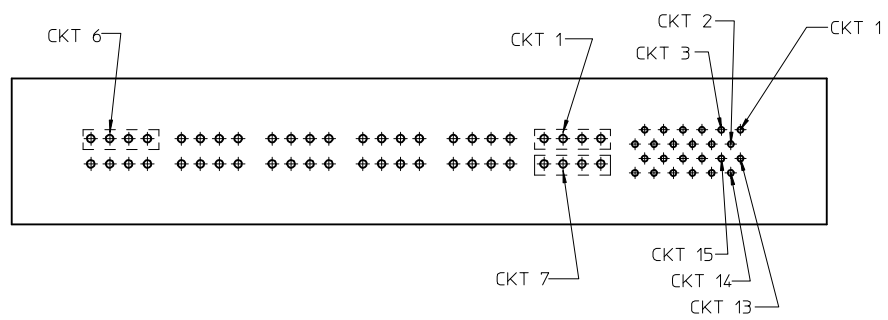
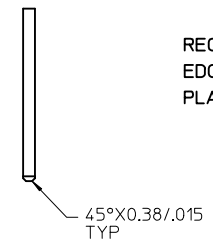
SEE SHEET 1 EC NO: UCP2012-2701 DRWN:MKARADIMAS 2012/06/22 CHKD: APPR:APATEL 2012/07/30 D3	QUALITY SYMBOLS	GENERAL TOLERANCES (UNLESS SPECIFIED)	DIMENSION STYLE MM/IN	SCALE 2:1	DESIGN UNITS METRIC	THIRD ANGLE PROJECTION															
		<table border="1"> <tr> <th></th> <th>mm</th> <th>INCH</th> </tr> <tr> <td>4 PLACES</td> <td>± .005</td> <td>± .0005</td> </tr> <tr> <td>3 PLACES</td> <td>± .005</td> <td>± .010</td> </tr> <tr> <td>2 PLACES</td> <td>± 0.25</td> <td>± .010</td> </tr> <tr> <td>1 PLACE</td> <td>± .005</td> <td>± .005</td> </tr> </table>		mm	INCH	4 PLACES	± .005	± .0005	3 PLACES	± .005	± .010	2 PLACES	± 0.25	± .010	1 PLACE	± .005	± .005	DRAWN BY: MKARADIMAS DATE: 2007/07/18 CHECKED BY: APATEL DATE: 2007/07/20 APPROVED BY: JCOMERC I DATE: 2009/12/03	TITLE: LPH VERTICAL RECEPTACLE COMPLIANT PIN ASSEMBLY 12CKT PWR CON, PRESS FIT MOLEX INCORPORATED		
		mm	INCH																		
	4 PLACES	± .005	± .0005																		
3 PLACES	± .005	± .010																			
2 PLACES	± 0.25	± .010																			
1 PLACE	± .005	± .005																			
	ANGULAR ±1/2°	DRAFT WHERE APPLICABLE MUST REMAIN WITHIN DIMENSIONS	SEE CHART	MATERIAL NO. SD-46114-120	DOCUMENT NO.	SHEET NO. 2 OF 3															
			THIS DRAWING CONTAINS INFORMATION THAT IS PROPRIETARY TO MOLEX INCORPORATED AND SHOULD NOT BE USED WITHOUT WRITTEN PERMISSION																		

12 11 10 9 8 7 6 5 4 3 2 1

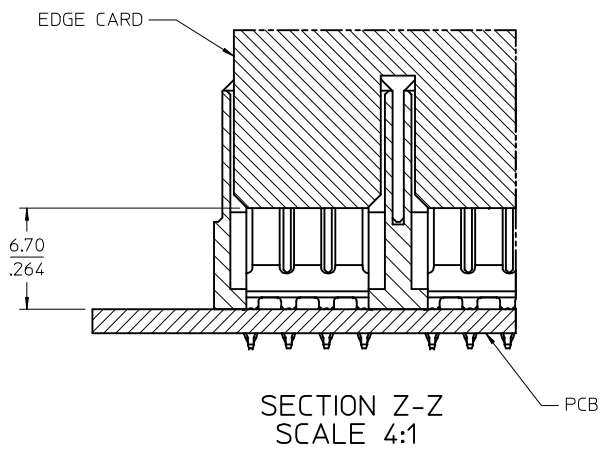
NO OF SIGNAL	DIM. D
12	8.00/.315
16	10.54/.415
20	13.08/.515
24	15.62/.615
28	18.16/.715
32	20.70/.815
36	23.24/.915
40	25.78/1.015



RECOMMENDED EDGE CARD LAYOUT
 EDGE CARD THICKNESS: 1.57/.062
 PLATING: GOLD 30 μ INCHES MIN.
 OVER 150 μ INCHES NICKEL.



PCB LAYOUT: COMPONENT SIDE
 SEE SHT 1 FOR DIMENSIONS



SEE SHEET 1 EC NO: UCP2012-2701 DRW:MKARADIMAS 2012/06/22 CHKD: APPR:APATEL 2012/07/30	QUALITY SYMBOLS	GENERAL TOLERANCES (UNLESS SPECIFIED)	DIMENSION STYLE MM/IN	SCALE 2:1	DESIGN UNITS METRIC	THIRD ANGLE PROJECTION															
		<table border="1"> <tr> <th></th> <th>mm</th> <th>INCH</th> </tr> <tr> <td>4 PLACES ±</td> <td>---</td> <td>---</td> </tr> <tr> <td>3 PLACES ±</td> <td>---</td> <td>±.010</td> </tr> <tr> <td>2 PLACES ±</td> <td>0.25</td> <td>---</td> </tr> <tr> <td>1 PLACE ±</td> <td>---</td> <td>---</td> </tr> </table>		mm	INCH	4 PLACES ±	---	---	3 PLACES ±	---	±.010	2 PLACES ±	0.25	---	1 PLACE ±	---	---	DRAWN BY: MKARADIMAS DATE: 2007/07/18 CHECKED BY: APATEL DATE: 2007/07/20 APPROVED BY: JCOMERCI DATE: 2009/12/03	TITLE: LPH VERTICAL RECEPTACLE COMPLIANT PIN ASSEMBLY 12CKT PWR CON, PRESS FIT		
		mm	INCH																		
	4 PLACES ±	---	---																		
3 PLACES ±	---	±.010																			
2 PLACES ±	0.25	---																			
1 PLACE ±	---	---																			
	ANGULAR ±1/2°	DRAFT WHERE APPLICABLE MUST REMAIN WITHIN DIMENSIONS	SEE CHART	MOLEX INCORPORATED DOCUMENT NO. SD-46114-120																	
D3			SIZE C	THIS DRAWING CONTAINS INFORMATION THAT IS PROPRIETARY TO MOLEX INCORPORATED AND SHOULD NOT BE USED WITHOUT WRITTEN PERMISSION																	