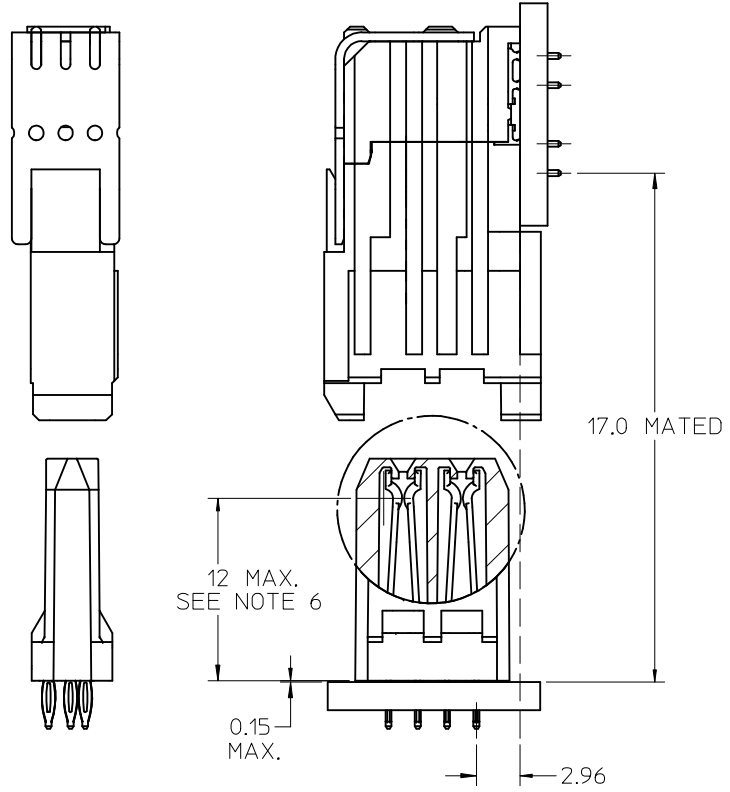
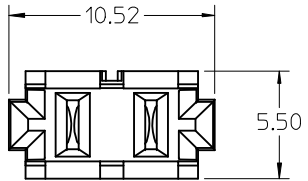


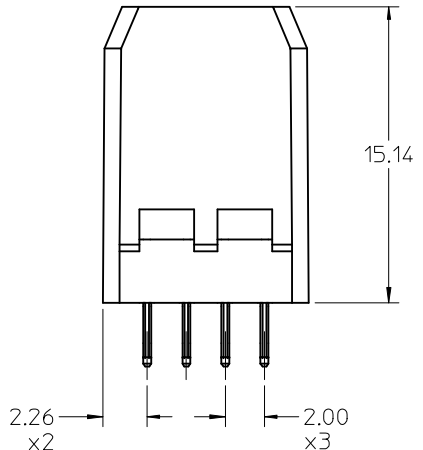
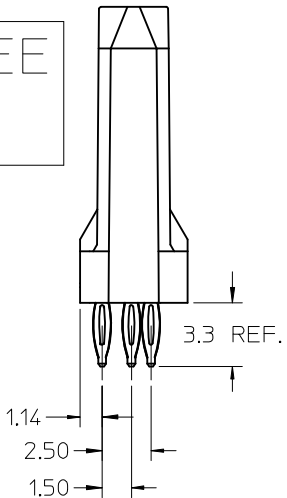
10 9 8 7 6 5 4 3 2 1

NOTES:

1. MATERIALS:
HOUSING - LIQUID CRYSTAL POLYMER (LCP),
UL94 V-0, COLOR: BLACK.
TERMINAL - COPPER ALLOY
2. FINISH: SELECTIVE GOLD ON MATING SURFACE,
MATTE TIN ON TAILS; NICKEL UNDERPLATE.
3. THIS PART CONFORMS TO PRODUCT SPECIFICATION
PS-74031-999.
4. SINGLE ROW ASSEMBLY PACKAGED PER PK-70873-0876.
5. MATES WITH 74026 SERIES DAUGHTERCARD POWER ASSEMBLY.
6. MATING INTERFACE MEASURED FROM BOTTOM OF HOUSING.



LEAD-FREE
PLATING



MOLEX P/N	GOLD THICKNESS (MINIMUM)	TAIL PLATING
74029-6000	30 MICROINCHES	MATTE TIN
74029-6050	50 MICROINCHES	

ADD LEADED P/N
EC NO: UCP2013-0146
DRAWN: SVANG01 2012/07/12
CHKD: MWOLFE 2012/07/12
APPR: SMILLER 2012/08/06

DESCRIPTION
QUALITY SYMBOLS
F=0
F=0
F=0

GENERAL TOLERANCES (UNLESS SPECIFIED)	
mm	INCH
4 PLACES ± .005	± .0004
3 PLACES ± .0025	± .0001
2 PLACES ± 0.25	± .010
1 PLACE ± 0.38	± .015
0 PLACE ±	±
ANGULAR ± 1/2°	
DRAFT WHERE APPLICABLE MUST REMAIN WITHIN DIMENSIONS	

DIMENSION STYLE	
MM ONLY	
DRAWN BY	DATE
ELO	2003/07/14
CHECKED BY	DATE
STANFORD	2003/07/17
APPROVED BY	DATE
BIXLER	2003/07/21
MATERIAL NO.	
SEE TABLE	

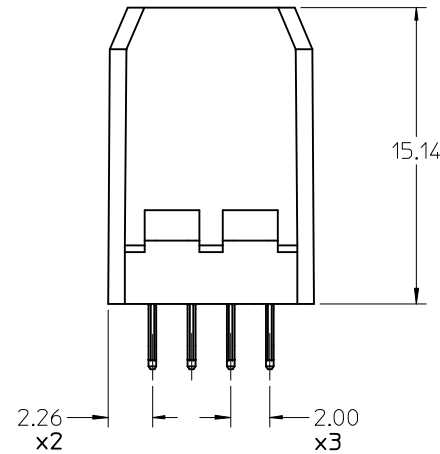
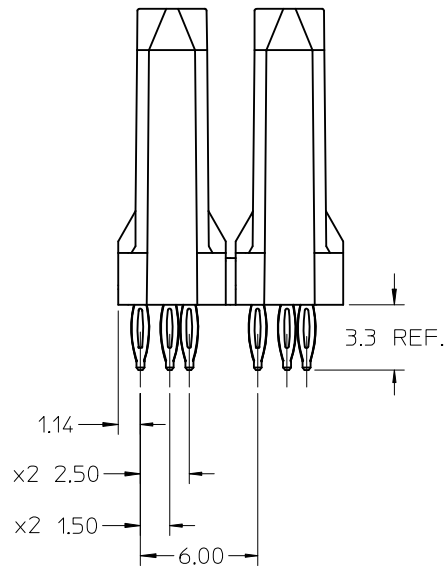
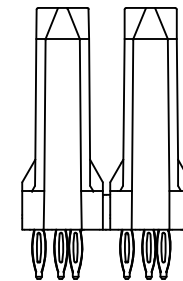
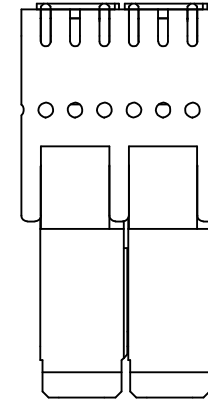
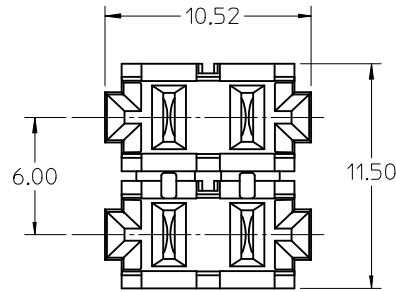
SINGLE ROW ASSEMBLY

SCALE	DESIGN UNITS	THIRD ANGLE PROJECTION
4:1	METRIC	THIRD ANGLE PROJECTION
TITLE		
VHDM/HSD POWER 6 ROW BACKPLANE SALES DRAWING		
molex		
DOCUMENT NO.	SD-74029-011	SHEET NO. 1 OF 3

9 8 7 6 5 4 3 2 1

NOTES:

1. THIS DESIGN INTENDED AS OPTION TO HAVING TWO SINGLE ROW MODULES NEXT TO EACH OTHER.
2. FINISH: SELECTIVE GOLD ON MATING SURFACE; TIN/LEAD OR MATTE TIN ON TAILS; NICKEL UNDERPLATE.
3. DUAL ROW ASSEMBLIES PACKED PER PK-70873-545.

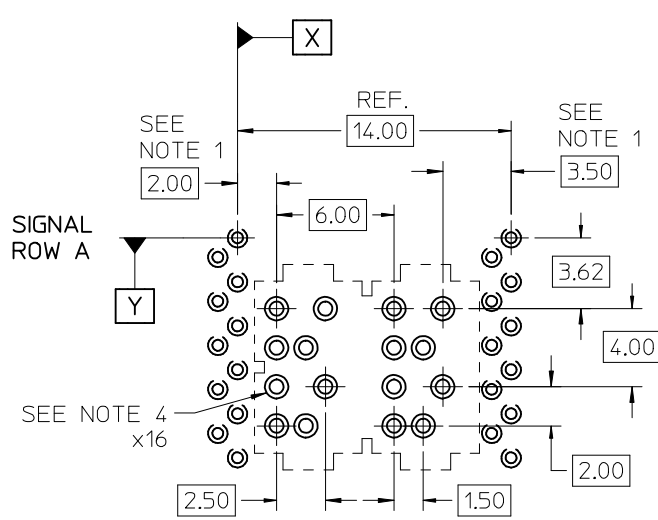


DUAL ROW ASSEMBLY

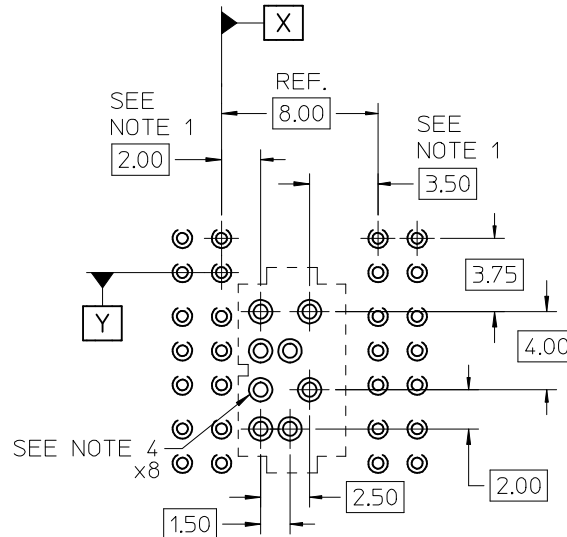
MOLEX P/N	GOLD THICKNESS (MINIMUM)	TAIL PLATING
74029-6002	30 MICROINCHES	MATTE TIN
74029-6052	50 MICROINCHES	
74029-6902	30 MICROINCHES	TIN/LEAD
74029-6952	50 MICROINCHES	

SEE SHEET 1 EC NO: UCP2013-0146 DRAWN: SVANG01 2012/07/12 CHKD: MWOLFE 2012/07/12 APPR: SMILLER 2012/08/06	QUALITY SYMBOLS	GENERAL TOLERANCES (UNLESS SPECIFIED)	DIMENSION STYLE	SCALE	DESIGN UNITS	THIRD ANGLE PROJECTION
	F/0 F/0 F/0	mm	MM ONLY	4:1	METRIC	VHDM/HSD POWER 6 ROW BACKPLANE SALES DRAWING molex
		INCH				
		4 PLACES ± --- ± ---	DRAWN BY	DATE	TITLE	
3 PLACES ± --- ± ---		ELO	2003/07/14			
	2 PLACES ± 0.25 ± ---	CHECKED BY	DATE			
	1 PLACE ± 0.38 ± ---	STANFORD	2003/07/17			
	0 PLACE ± ±	APPROVED BY	DATE			
		BIXLER	2003/07/21			
	ANGULAR ± 1/2°	MATERIAL NO.	SEE TABLE	DOCUMENT NO.	SD-74029-011	SHEET NO.
	DRAFT WHERE APPLICABLE MUST REMAIN WITHIN DIMENSIONS	SIZE	B	THIS DRAWING CONTAINS INFORMATION THAT IS PROPRIETARY TO MOLEX INCORPORATED AND SHOULD NOT BE USED WITHOUT WRITTEN PERMISSION		2 OF 3

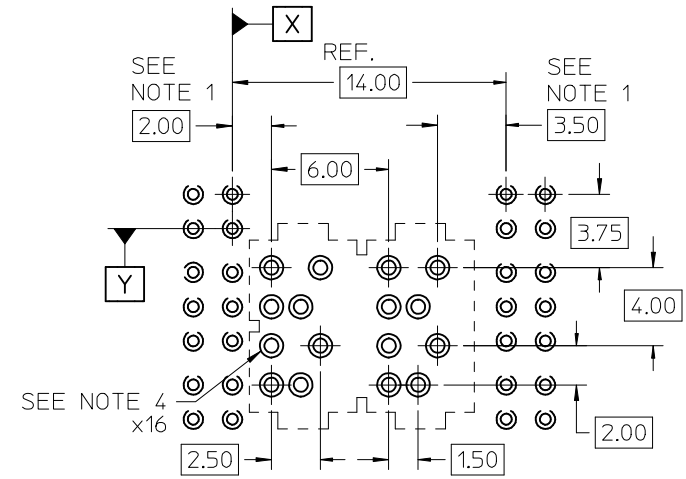
BOARD LAYOUTS: 1.8 mm MIN. BOARD THICKNESS



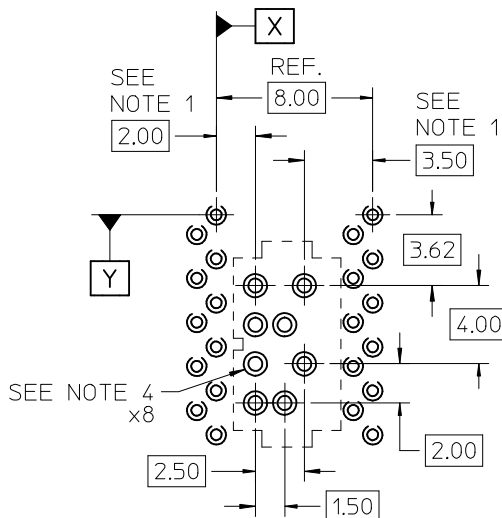
VHDM DUAL ROW POWER



VHDM-HSD SINGLE ROW POWER



VHDM-HSD DUAL ROW POWER

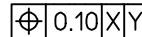


VHDM SINGLE ROW POWER

NOTES:

1. ADDITIONAL SPACING CAN BE ADDED IN MULTIPLES OF 2.0 mm AS REQUIRED. FOR EACH ADDITIONAL SINGLE ROW POWER, ADD 6.00 mm.
2. SIGNAL ROW A IS IN LINE WITH DATUM Y IN ALL FOUR LAYOUTS.
3. FOUR HOLES ARE USED PER POWER CONTACT.
4. EACH POWER HOLE TO BE MANUFACTURED AS FOLLOWS:

- Ø0.725±0.075 PLATED THROUGH HOLE
- Ø1.20 PAD
- Ø0.838 DRILL



SEE SHEET 1 EC NO: UCP2013-0146 IDRWN: SVANG01 2012/07/12 CHKD: MWOLF 2012/07/12 APPR: SMILLER 2012/08/06	QUALITY SYMBOLS ▽=0 ▽=0 ▽=0	GENERAL TOLERANCES (UNLESS SPECIFIED)		DIMENSION STYLE MM ONLY		SCALE 4:1	DESIGN UNITS METRIC	THIRD ANGLE PROJECTION		
		4 PLACES ± --- ± ---	mm INCH	DRAWN BY ELO	DATE 2003/07/14	TITLE VHDM/HSD POWER 6 ROW BACKPLANE SALES DRAWING				
		3 PLACES ± --- ± ---	2 PLACES ± 0.25 ± ---	CHECKED BY STANFORD	DATE 2003/07/17					
		1 PLACE ± 0.38 ± ---	0 PLACE ± ±	APPROVED BY BIXLER	DATE 2003/07/21	DOCUMENT NO. SD-74029-011				
ANGULAR ±1/2°		MATERIAL NO. SEE TABLE		SHEET NO. 3 OF 3						
DRAFT WHERE APPLICABLE MUST REMAIN WITHIN DIMENSIONS				SIZE B	THIS DRAWING CONTAINS INFORMATION THAT IS PROPRIETARY TO MOLEX INCORPORATED AND SHOULD NOT BE USED WITHOUT WRITTEN PERMISSION					