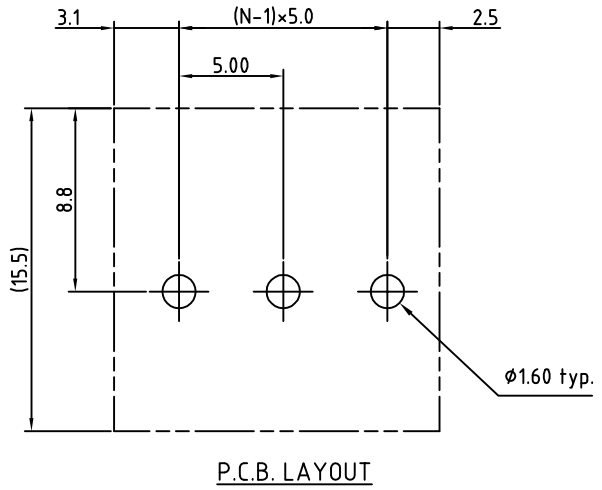
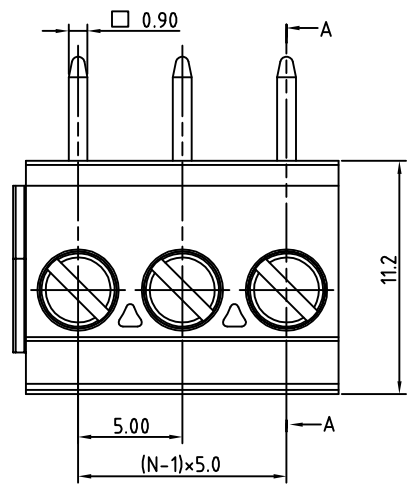
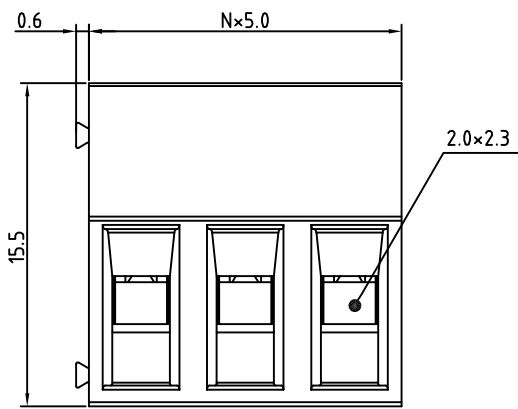


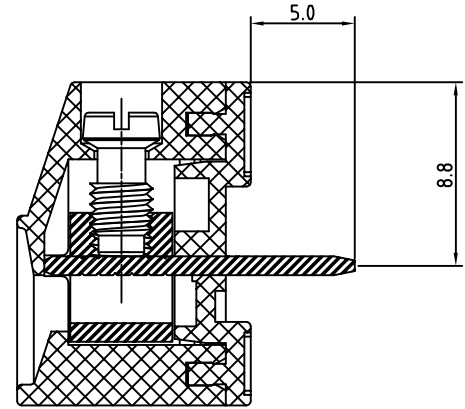
SIGN	DATE	DESCRIPTION	APPROVER
		THIS IS CAD DRAWING, DO NOT REVISE MANUALLY!!!	



P.C.B. LAYOUT



N=Number of conacts



SECTION A-A

Material

- Insulating body Thermoplastic (UL94V-0)
- Insulating cover Thermoplastic (UL94V-0)
- Terminal screw Steel Zinc plating "-" slot type
- Terminal body Brass, Ni plated
- Contact Brass, Tin plated

Electrical

- Voltage rating: 300VAC
- Current rating: 15A
- Wire range:
 - Solid wire(AWG): 14-30
 - Stranded wire(AWG): 14-30
- Torque(Lb-In): 4.3
- Screw: M3
- Wire strip length: 7-8mm
- Withstanding Voltage: 1.6KV
- Operating temperature: -30°C to +105°C
- Soldering temperature: 250°C±10°C/5 Sec
- Safety Approval: us

RoHS Compliant

PART NUMBER:

OSTESXX0150

No. of Poles	COLOR
02: 2 Poles	0: Black
03: 3 Poles	5: Green (Standard)
...	6: Blue
24: 24 Poles	8: Grey



THESE DRAWINGS AND SPECIFICATIONS ARE THE PROPERTY OF ON-SHORE TECHNOLOGY, INC. AND SHALL NOT BE REPRODUCED, COPIED OR USED IN ANY MANNER WITHOUT THE PRIOR WRITTEN CONSENT OF ON-SHORE TECHNOLOGY, INC.

TITLE		OSTES 5.0 Series	
PART NO.	OSTESXX0150	DWG NO.	OSTESXX0150.DWG
APPROVED	CHECKED	DESIGNED	DRAWN
		Aaron 2006.12.23	Aaron 2006.12.23
		SHEET: 01/01	
		UNIT: mm SCALE: NONE REV.: B	
		Tolerance X. ±0.50 X.X ±0.30 X.XX ±0.10 X° ±1°	