

THIS DRAWING IS UNPUBLISHED.

RELEASED FOR PUBLICATION

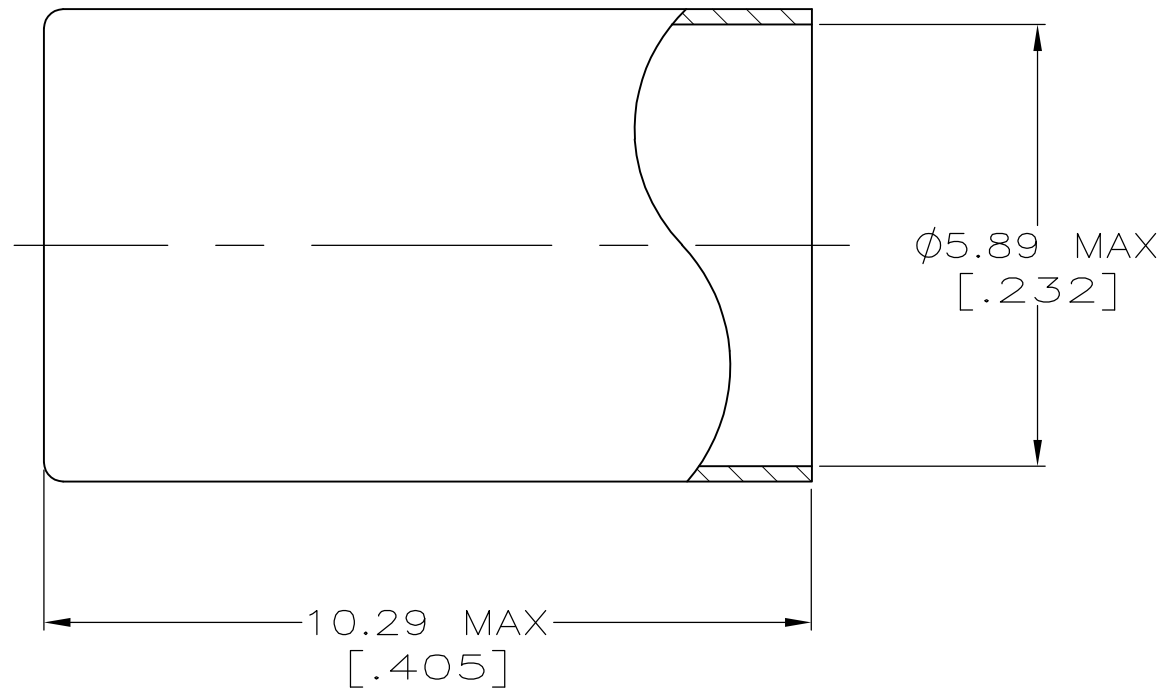
-. - .

REVISIONS

© COPYRIGHT - By -

ALL RIGHTS RESERVED.

P	LTR	DESCRIPTION	DATE	DWN	APVD
	S1	REVISED PER ECR-15-016073	06NOV2015	RZ	RS



1. COPPER ALLOY
- △2 GOLD PLATE PER MIL-G-45204, 0.76µm [.000030] MIN THICKNESS.
- △3 SILVER PLATE PER QQ-S-365, 5.08µm [.000200] MIN THICKNESS.
- △4 TIN-LEAD PLATE PER ASTM-B-545, 2.54µm [.000100] MIN THICKNESS
- △5 MATTE TIN PLATE PER ASTM-B-545, 2.54µm [.000100] MIN THICKNESS

SUPERCEDED BY 9-329099-0	△3	9-329099-2
	△5	9-329099-1
SUPERCEDED BY 9-329099-2	△5	9-329099-0
	△2	1-329099-3
	△4	1-329099-1
	△3	329099
FINISH		PART NUMBER

THIS DRAWING IS A CONTROLLED DOCUMENT.		DWN MICHAEL E. COWHER 14NOV95	STE TE Connectivity														
DIMENSIONS: mm [INCHES]		CHK FRANK MORANA 14NOV95															
TOLERANCES UNLESS OTHERWISE SPECIFIED:		APVD FRANK MORANA 14NOV95	NAME														
<table border="0"> <tr><td>0 PLC</td><td>± -</td></tr> <tr><td>1 PLC</td><td>± -</td></tr> <tr><td>2 PLC</td><td>± -</td></tr> <tr><td>3 PLC</td><td>± -</td></tr> <tr><td>4 PLC</td><td>± -</td></tr> <tr><td>ANGLES</td><td>± -</td></tr> </table>		0 PLC	± -	1 PLC	± -	2 PLC	± -	3 PLC	± -	4 PLC	± -	ANGLES	± -	PRODUCT SPEC	FERRULE		
0 PLC	± -																
1 PLC	± -																
2 PLC	± -																
3 PLC	± -																
4 PLC	± -																
ANGLES	± -																
MATERIAL		APPLICATION SPEC	SIZE	CAGE CODE	DRAWING NO	RESTRICTED TO											
△1		WEIGHT	A3	00779	C-329099	-											
FINISH		CUSTOMER DRAWING		SCALE	SHEET	REV											
△2 △3 △4 △5				10:1	1 OF 1	S1											