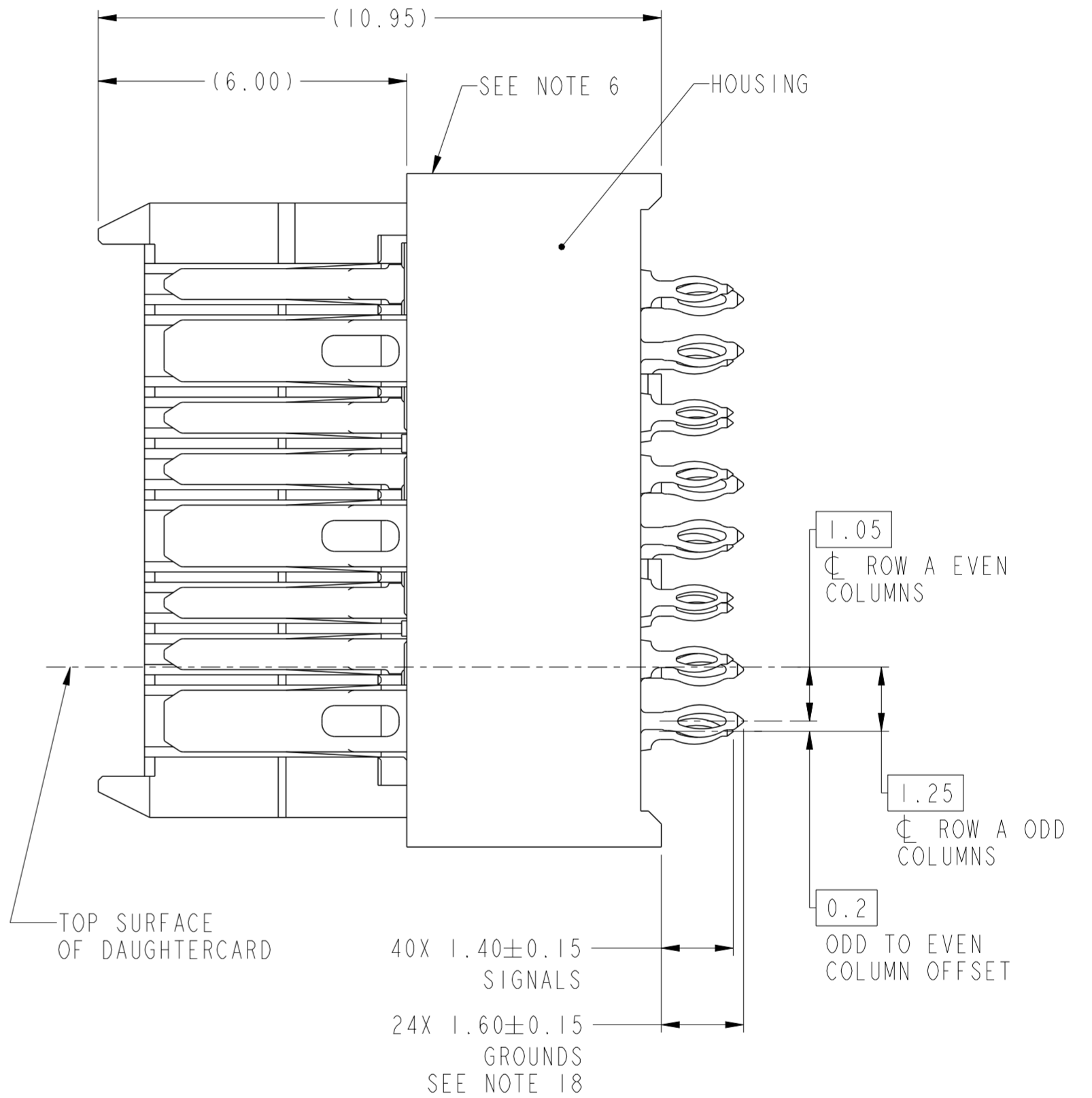
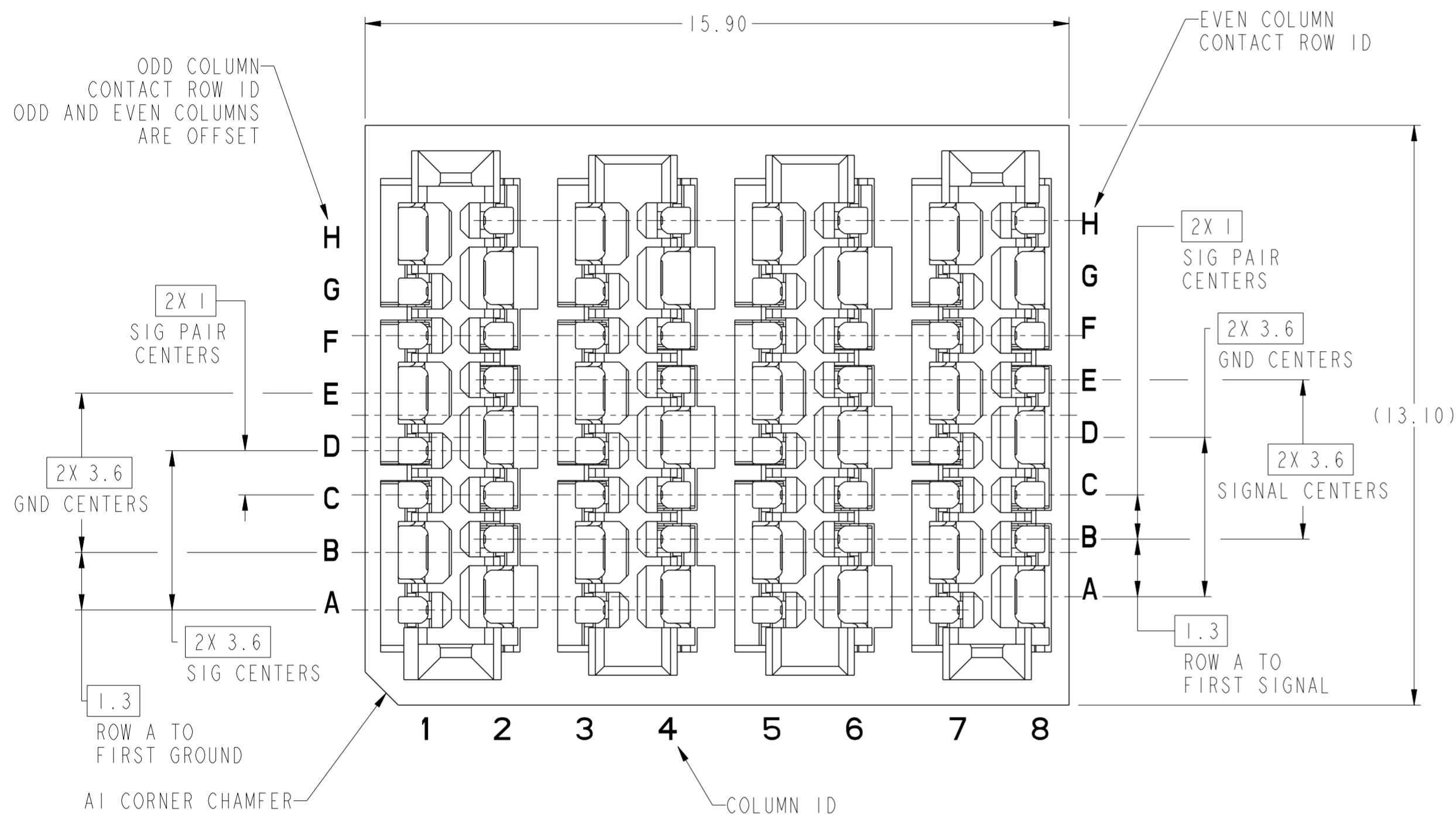


PRODUCT NUMBER  
SEE SHEET 16



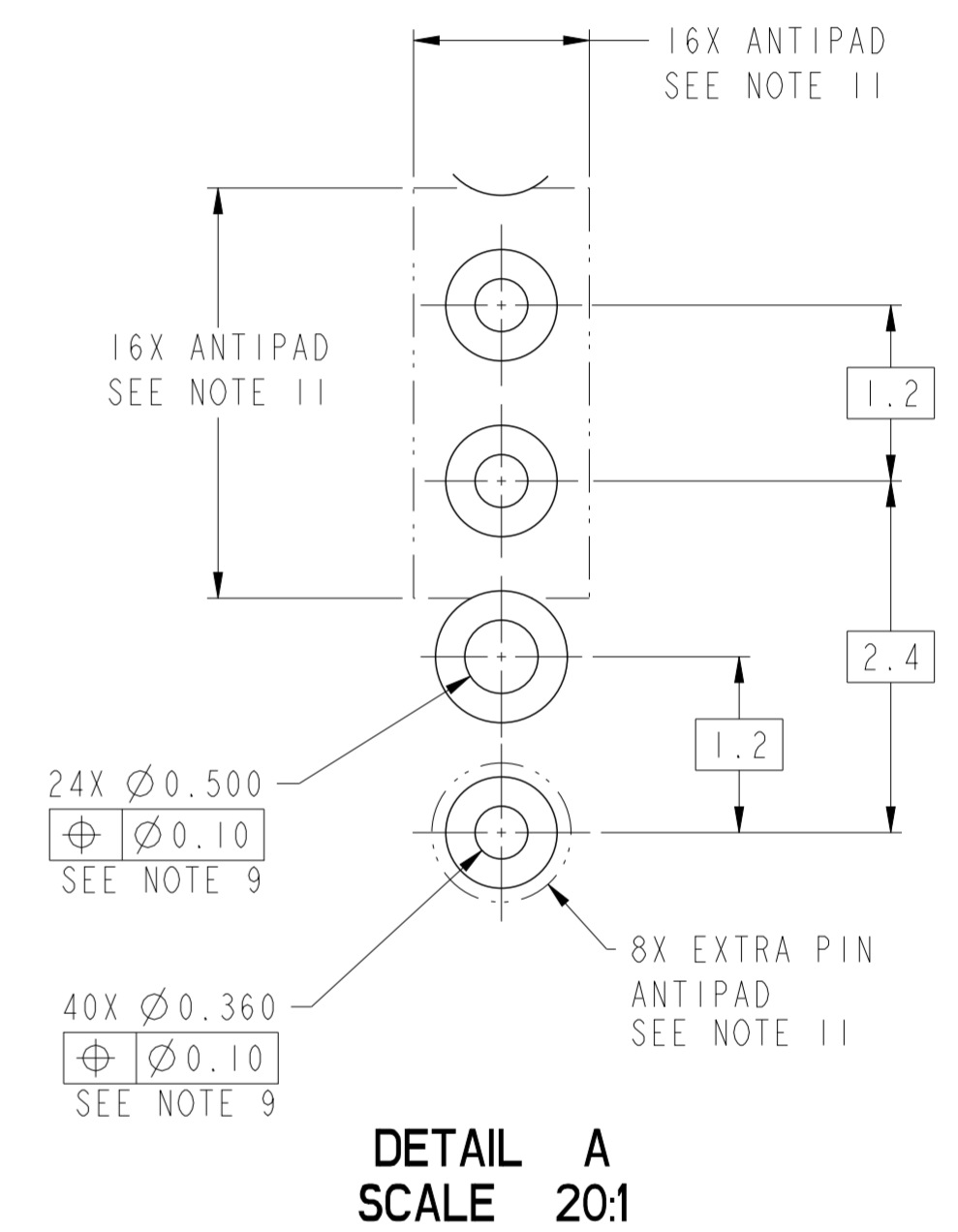
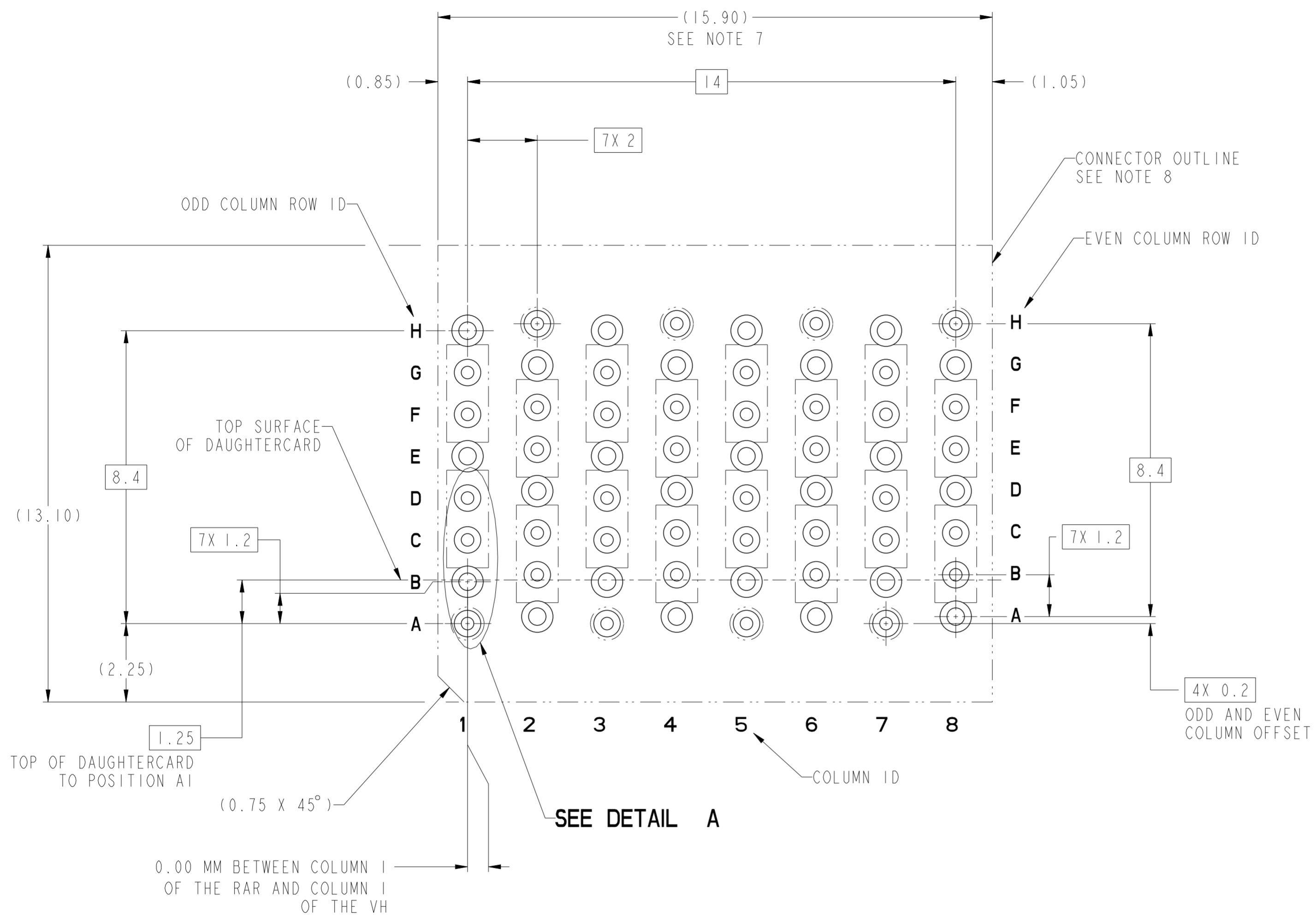
**10124412-Y01LF**  
**(10124412-101LF STANDARD MATE CONNECTOR SHOWN)**

spec ref	SEE NOTES	dr	Mark R Gray	2013/02/20	projection	MM	size	A2	scale	10:1											
tolerance std	TOLERANCES UNLESS OTHERWISE SPECIFIED	eng	Peng-Bing Fu	2017/11/07			ecn no	ELX-DG-28204-1	rel level	Released											
ASME Y14.5M		chr	Justin Chen	2017/11/29																	
		appr	Heaven Cen	2017/11/30																	
surface	<table border="1"> <tr> <td>linear</td> <td>0.X</td> <td>±.3</td> </tr> <tr> <td></td> <td>0.XX</td> <td>±.10</td> </tr> <tr> <td></td> <td>0.XXX</td> <td>±.050</td> </tr> <tr> <td>angular</td> <td>0°</td> <td>±2°</td> </tr> </table>	linear	0.X	±.3		0.XX	±.10		0.XXX	±.050	angular	0°	±2°			<b>ExaMAX VERTICAL HEADER</b> ASS'Y, 2 PAIR, 64 POS, 8 IMLA		product family ExaMAX	rel level Released	size A2	scale 10:1
linear	0.X	±.3																			
	0.XX	±.10																			
	0.XXX	±.050																			
angular	0°	±2°																			
		cat. no.	SEE TABLE	Product - Customer Drw	sheet 1 of 17	rev <b>B</b>															

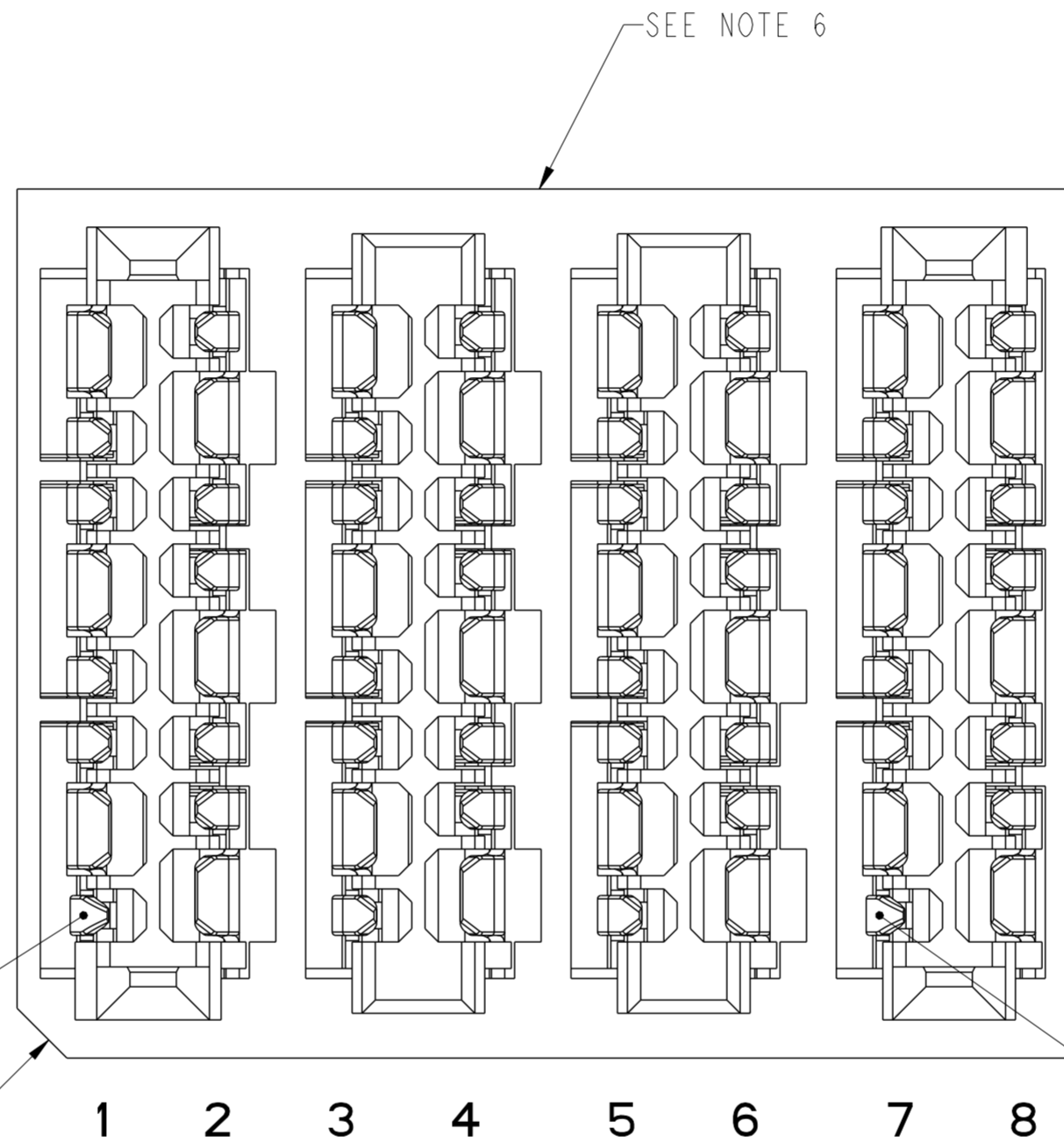
PDS: Rev :B

STATUS:Released

Printed: Dec 12, 2017



spec ref	SEE NOTES	dr	Mark R Gray	2013/02/20	projection	MM	size	A2	scale	5:1
tolerance std	TOLERANCES UNLESS OTHERWISE SPECIFIED	eng	Peng-Bing Fu	2017/11/07			ecn no	ELX-DG-28204-1	rel level	Released
ASME Y14.5M		chr	Justin Chen	2017/11/29						
		appr	Heaven Cen	2017/11/30						
surface	linear	0.X	±.3		product family		ExaMAX	title ExaMAX VERTICAL HEADER ASS'Y, 2 PAIR, 64 POS, 8 IMLA cat. no. SEE TABLE	dwg no 10124412	rev B
		0.XX	±.10		Product - Customer Drw		sheet 2 of 17			
	angular	0°	±2°							



ADVANCED MATE POSITION A1  
SEE NOTE 13

A1 CORNER CHAMFER

ADVANCED MATE POSITION A7  
SEE NOTE 13

**10124412-201LF**  
**ADVANCED MATE CONNECTOR**  
 ADVANCED MATE POSITIONS ARE POSITIONS A1 AND A7 ONLY  
 FOR ALL OTHER DIMENSIONS SEE SHEETS 1 & 2

Amphenol  
FCi

© 2016 AFci

spec ref	SEE NOTES	dr	Mark R Gray	2013/02/20	projection	MM	size	A2	scale	5:1									
tolerance std	TOLERANCES UNLESS OTHERWISE SPECIFIED	eng	Peng-Bing Fu	2017/11/07			ecn no	ELX-DG-28204-1											
ASME Y14.5M		chr	Justin Chen	2017/11/29			rel level	Released											
		appr	Heaven Cen	2017/11/30			product family	ExaMAX											
surface	<table border="1"> <tr> <td>linear</td> <td>0.X</td> <td>±.3</td> </tr> <tr> <td></td> <td>0.XX</td> <td>±.10</td> </tr> <tr> <td></td> <td>0.XXX</td> <td>±.050</td> </tr> <tr> <td>angular</td> <td>0°</td> <td>±2°</td> </tr> </table>	linear	0.X	±.3		0.XX	±.10		0.XXX	±.050	angular	0°	±2°	Amphenol FCi	title ExaMAX VERTICAL HEADER ASS'Y, 2 PAIR, 64 POS, 8 IMLA			dwg no 10124412	rev B
linear	0.X	±.3																	
	0.XX	±.10																	
	0.XXX	±.050																	
angular	0°	±2°																	
		cat. no.	SEE TABLE	Product - Customer Drw	sheet 3 of 17														

1 2 3 4 5 6 7 8

A

B

C

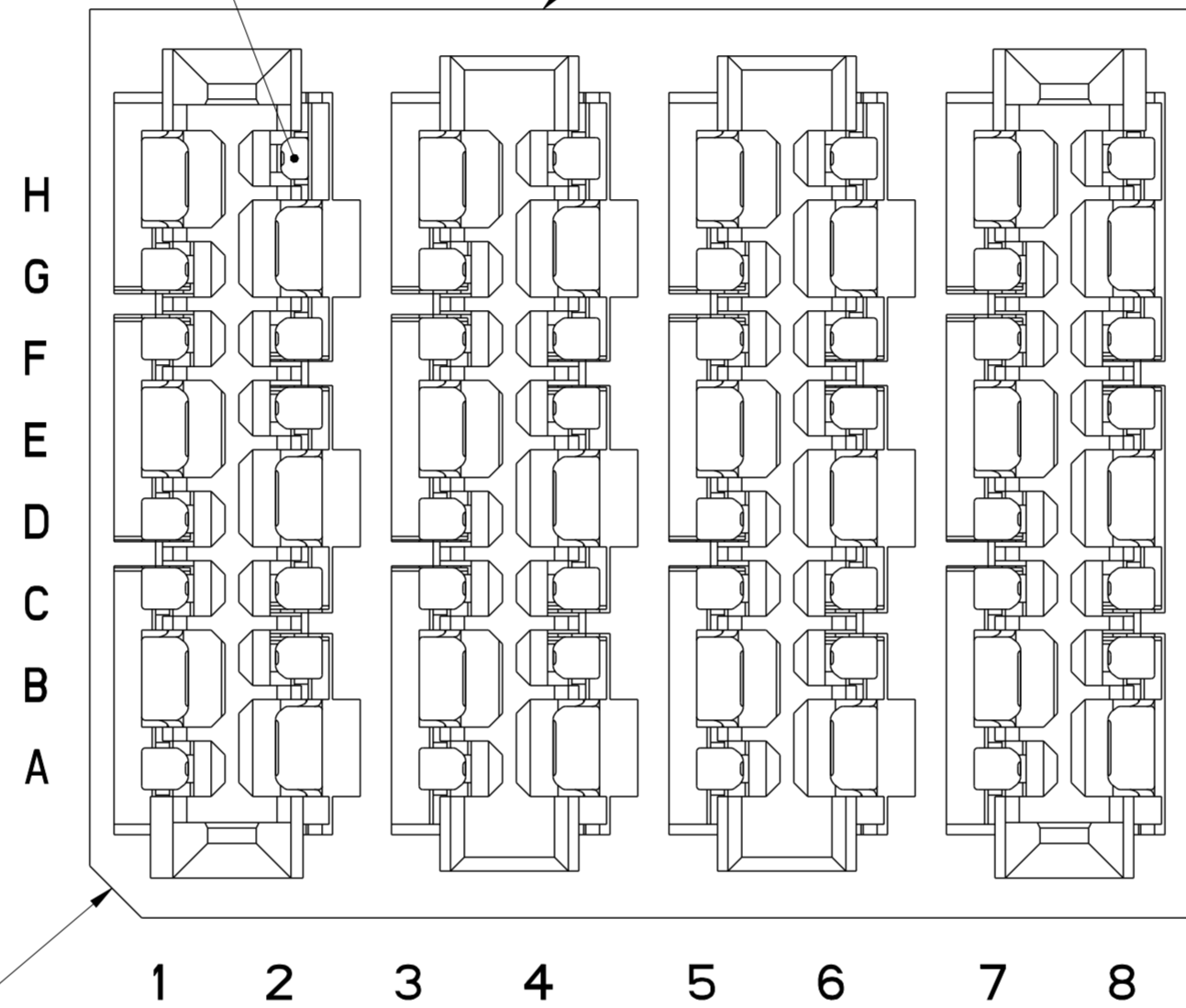
D

E

F

SHORT DETECT  
POSITION H2  
SEE NOTE 14

SEE NOTE 6



A1 CORNER CHAMFER

**10124412-301LF**  
**SHORT DETECT CONNECTOR**  
**SHORT DETECT POSITION IS H2 ONLY**  
**FOR ALL OTHER DIMENSIONS SEE SHEETS 1 & 2**

Amphenol  
FCi

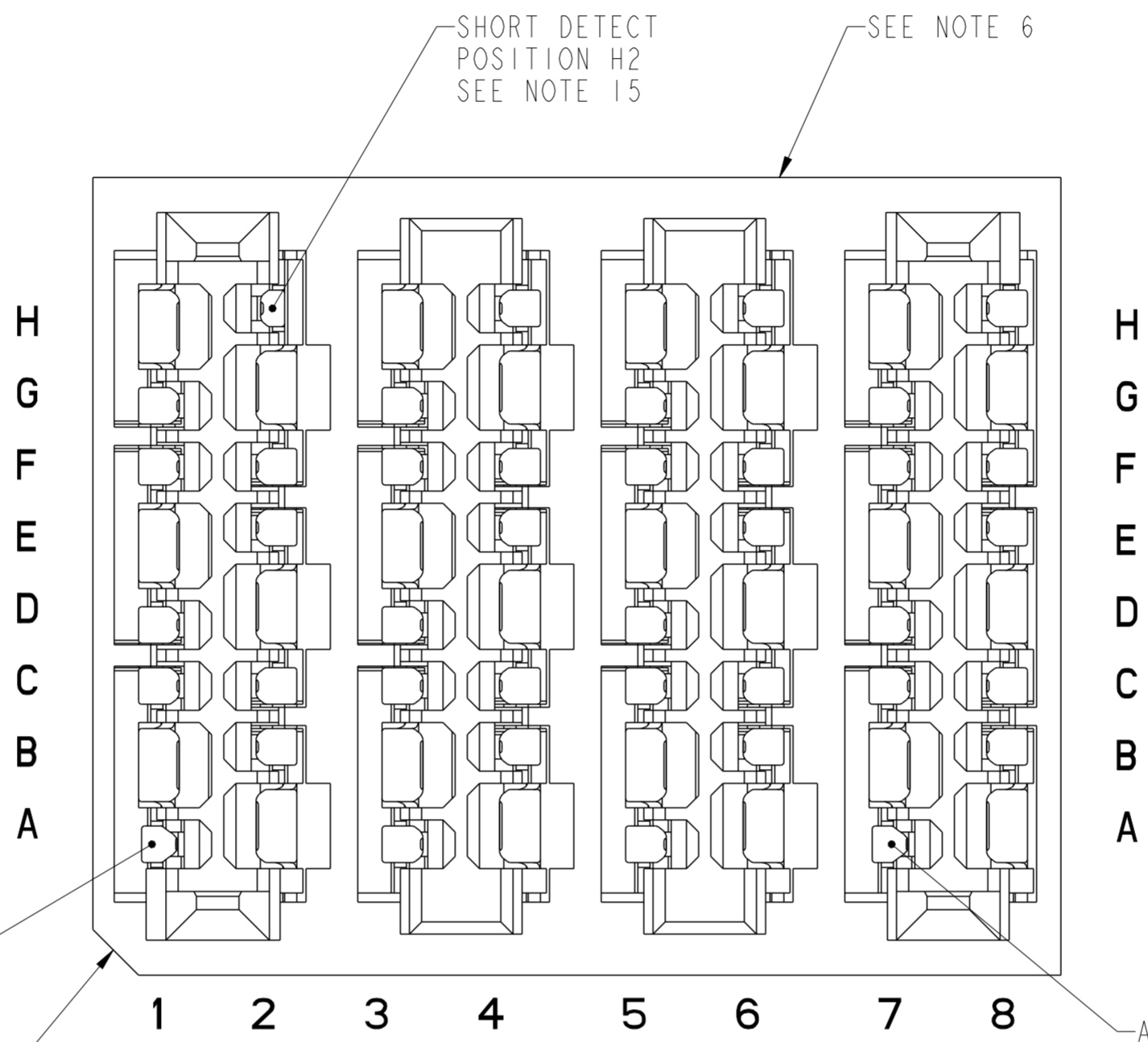
© 2016 AFci

spec ref	SEE NOTES	dr	Mark R Gray	2013/02/20	projection	MM	size	A2	scale	5:1										
tolerance std	ASME Y14.5M	eng	Peng-Bing Fu	2017/11/07			ecn no	ELX-DG-28204-1												
		chr	Justin Chen	2017/11/29			rel level	Released												
		appr	Heaven Cen	2017/11/30			product family	ExaMAX												
surface	<table border="1"> <tr> <td>linear</td> <td>0.X</td> <td>±.3</td> </tr> <tr> <td></td> <td>0.XX</td> <td>±.10</td> </tr> <tr> <td></td> <td>0.XXX</td> <td>±.050</td> </tr> <tr> <td>angular</td> <td>0°</td> <td>±2°</td> </tr> </table>	linear	0.X	±.3		0.XX	±.10		0.XXX	±.050	angular	0°	±2°		<b>ExaMAX VERTICAL HEADER</b> ASS'Y, 2 PAIR, 64 POS, 8 IMLA		dwg no 10124412	rev B		
linear	0.X	±.3																		
	0.XX	±.10																		
	0.XXX	±.050																		
angular	0°	±2°																		
		cat. no.	SEE TABLE	Product - Customer Drw	sheet 4 of 17															

PDS: Rev :B

STATUS:Released

Printed: Dec 12, 2017

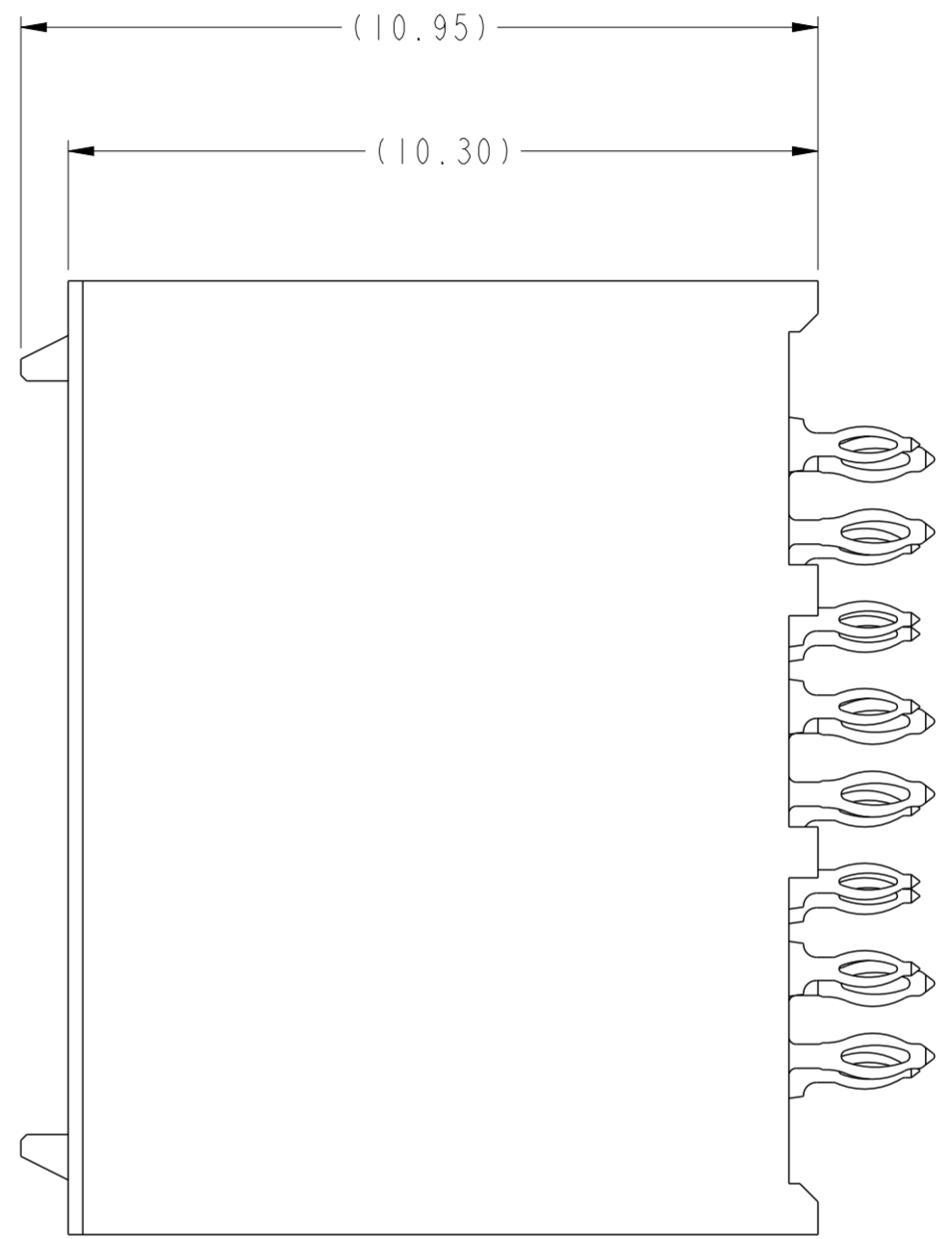
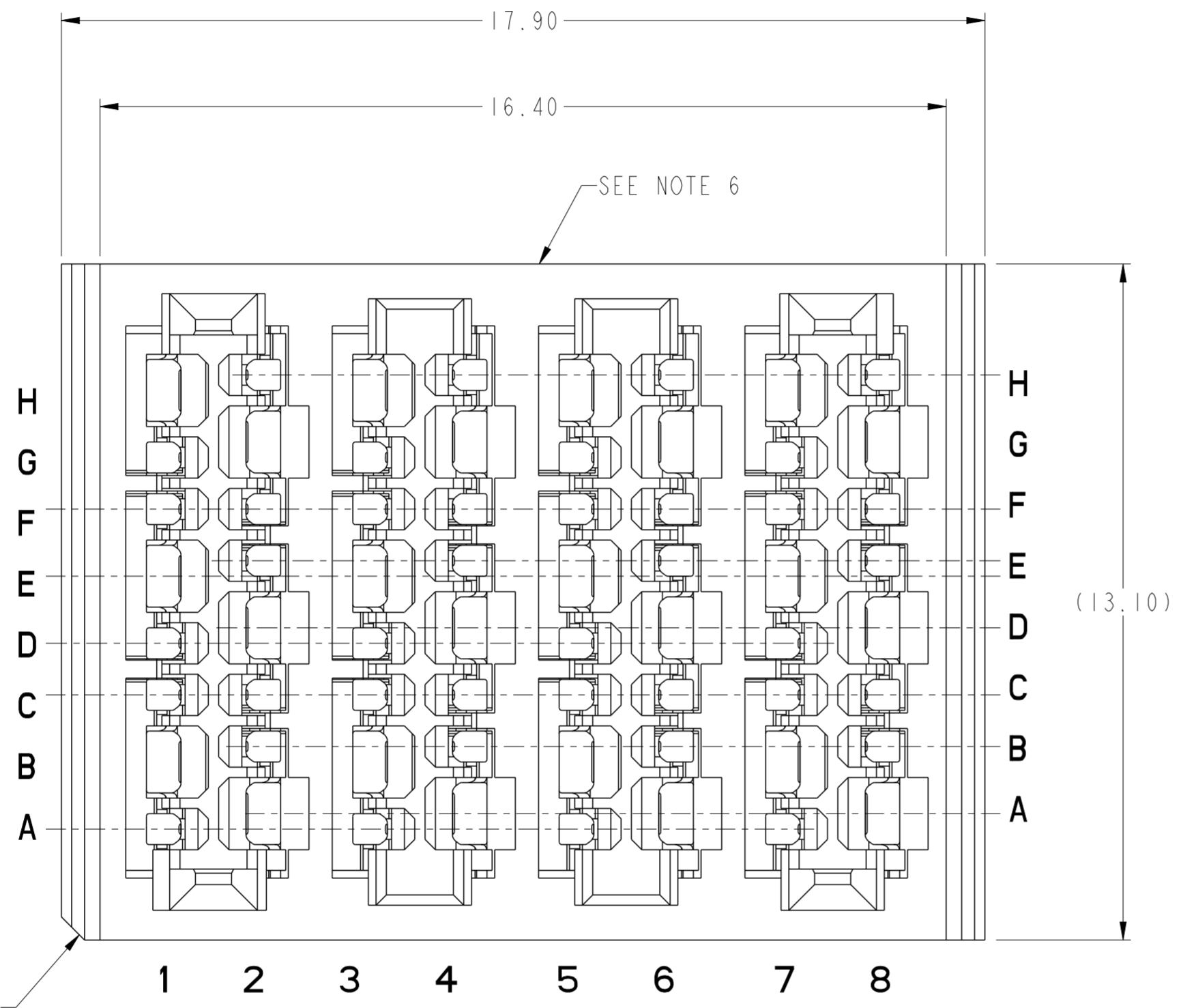


**10124412-401LF**  
**ADVANCED MATE/SHORT DETECT CONNECTOR**  
**ADVANCED MATE POSITIONS ARE POSITIONS A1 AND A7 ONLY**  
**SHORT DETECT POSITION IS H2 ONLY**  
**FOR ALL OTHER DIMENSIONS SEE SHEETS 1 & 2**

**Amphenol FCI**

© 2016 AFci

spec ref	SEE NOTES	dr	Mark R Gray	2013/02/20	projection	MM	size	A2	scale	2:1									
tolerance std	TOLERANCES UNLESS OTHERWISE SPECIFIED	eng	Peng-Bing Fu	2017/11/07			ecn no	ELX-DG-28204-1											
ASME Y14.5M		chr	Justin Chen	2017/11/29			rel level	Released											
surface	<table border="1"> <tr> <td rowspan="3">-</td> <td rowspan="3">linear</td> <td>0.X</td> <td>±.3</td> </tr> <tr> <td>0.XX</td> <td>±.10</td> </tr> <tr> <td>0.XXX</td> <td>±.050</td> </tr> <tr> <td></td> <td>angular</td> <td>0°</td> <td>±2°</td> </tr> </table>	-	linear	0.X	±.3	0.XX	±.10	0.XXX	±.050		angular	0°	±2°		title ExaMAX VERTICAL HEADER ASS'Y, 2 PAIR, 64 POS, 8 IMLA	cat. no. SEE TABLE	product family ExaMAX	rel level Released	rev B
-	linear			0.X	±.3														
				0.XX	±.10														
		0.XXX	±.050																
	angular	0°	±2°																
		Product - Customer Drw		sheet 5 of 17															



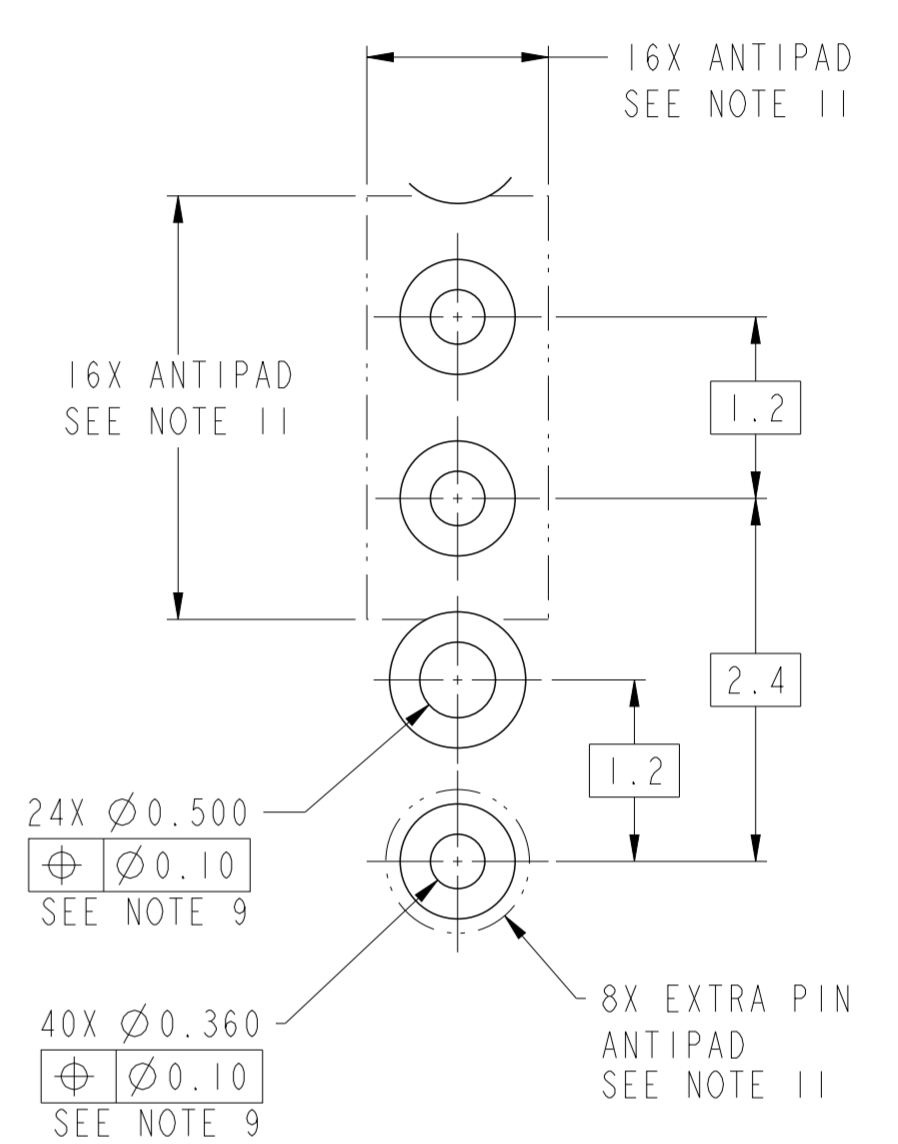
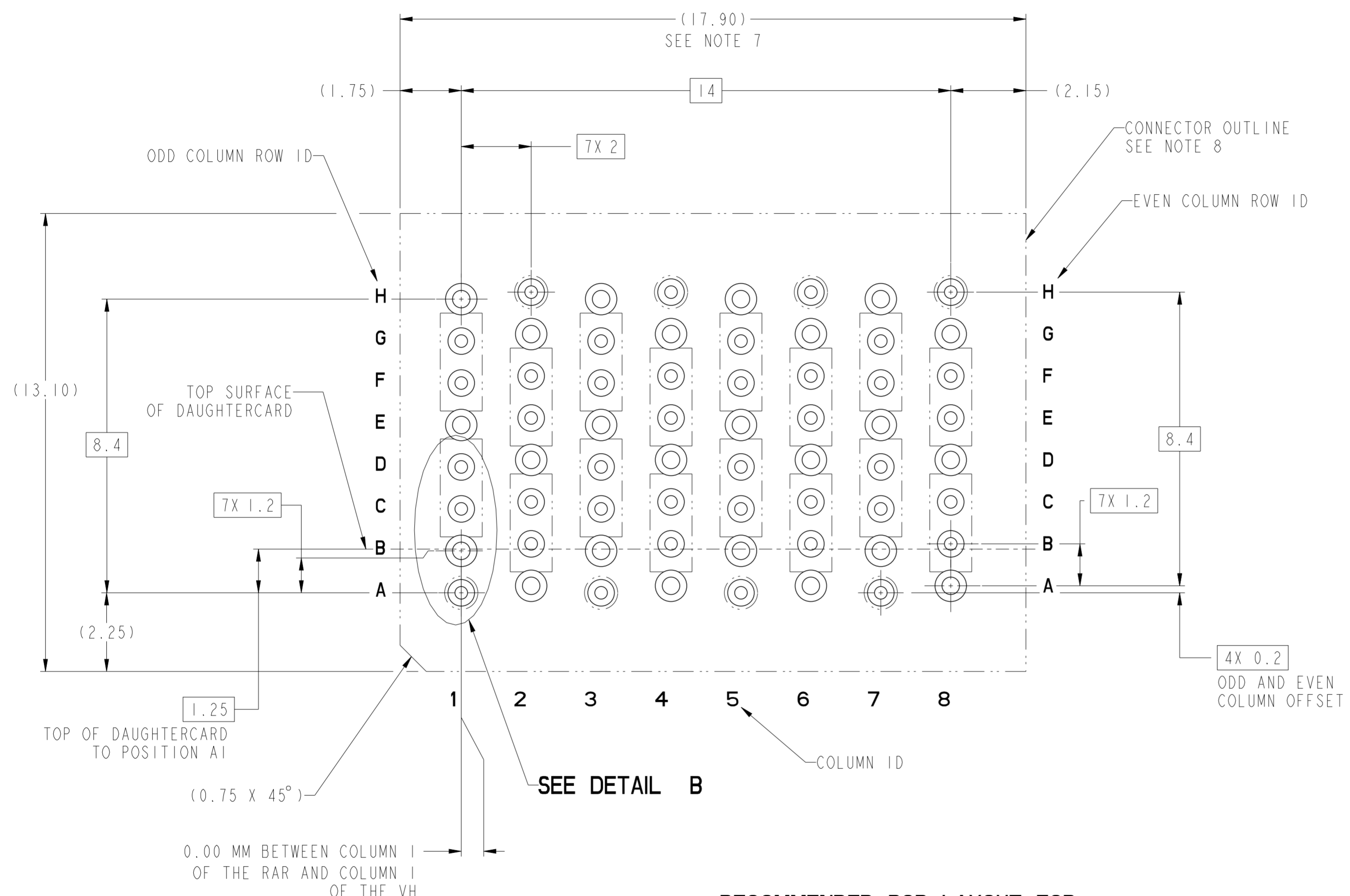
AI CORNER CHAMFER

10124412-Y02LF (10124412-102LF SHOWN)  
END WALLED CONNECTOR  
FOR ALL DIMENSIONS SEE SHEET 1

Amphenol  
FCi

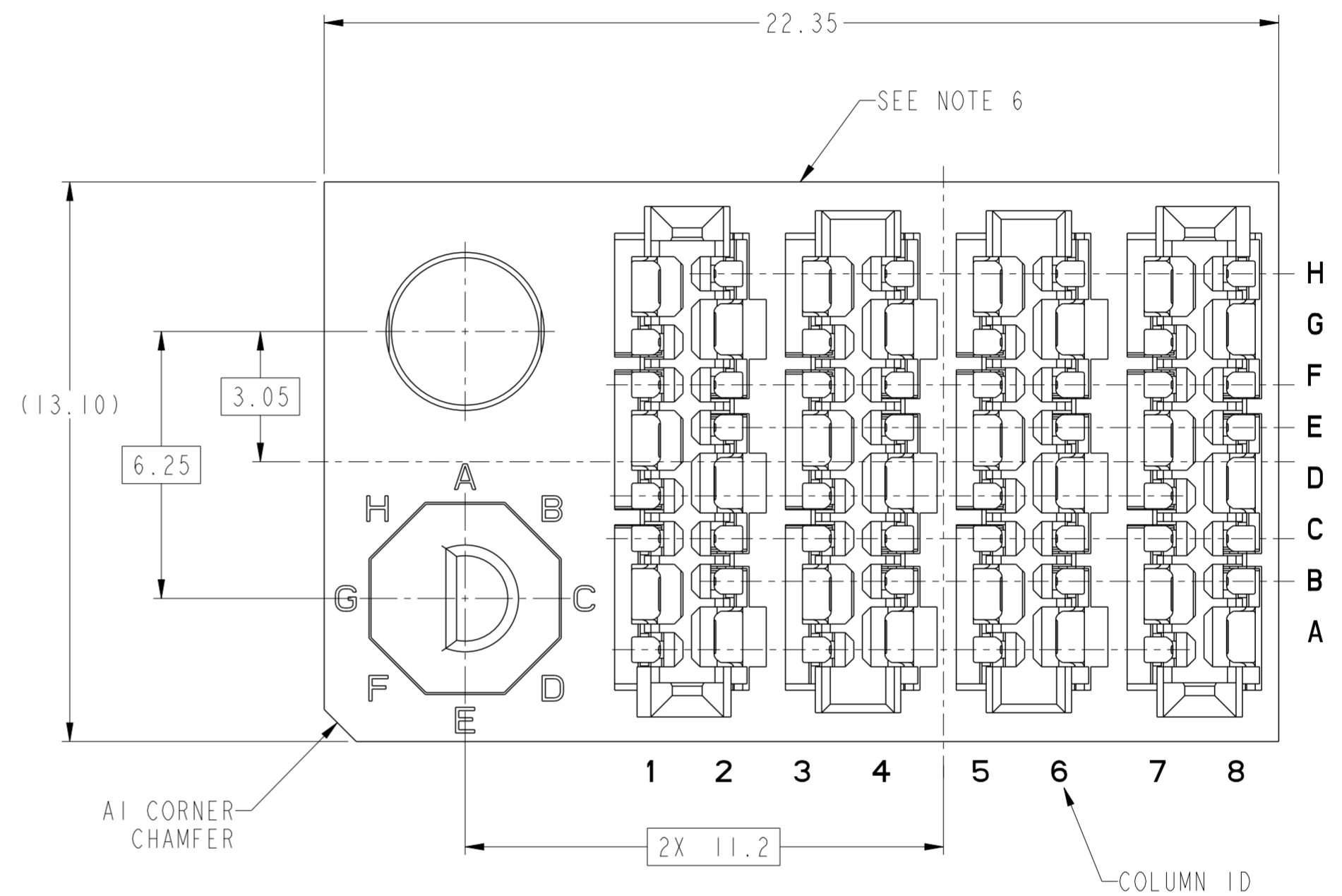
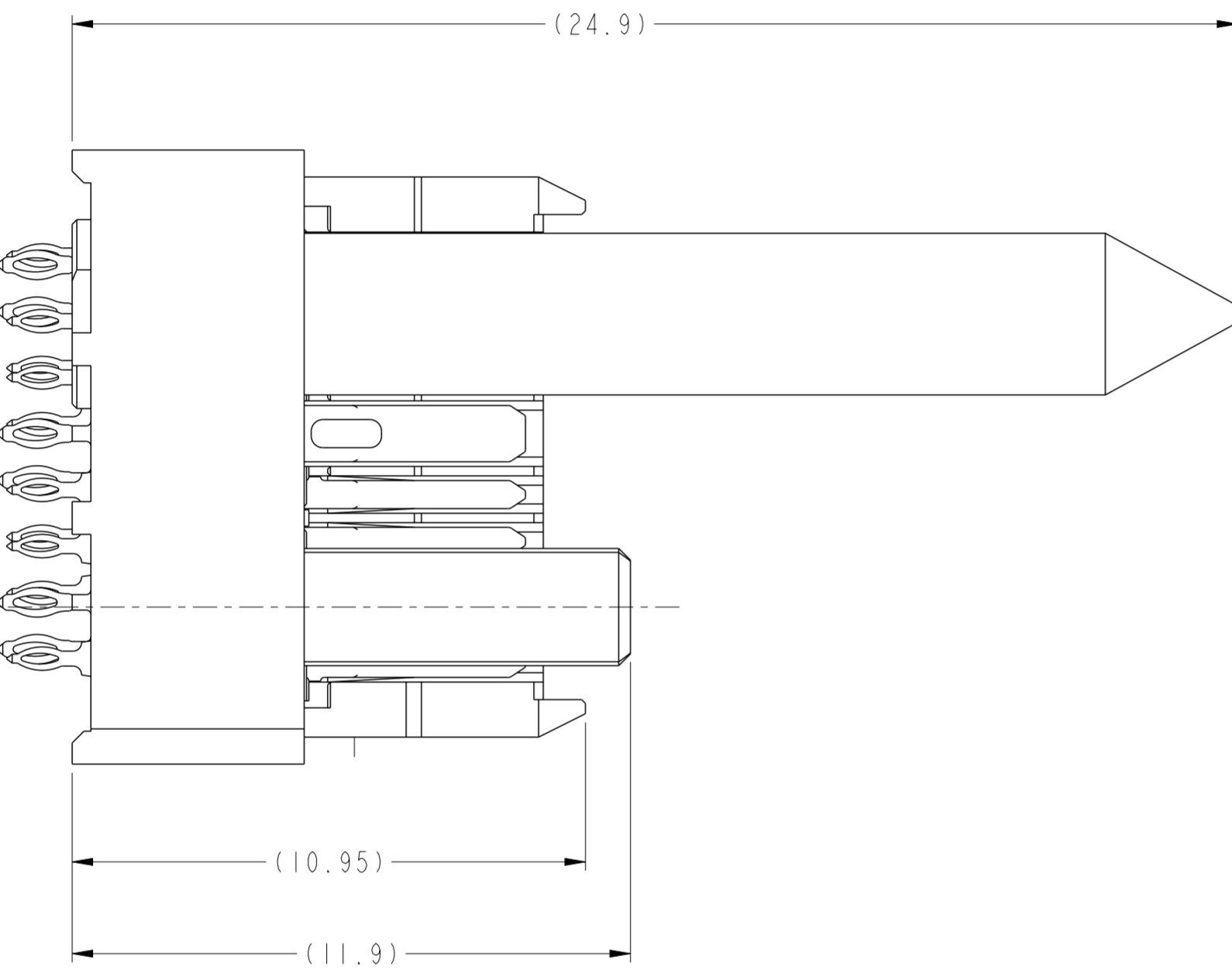
© 2016 AFci

spec ref	SEE NOTES	dr	Mark R Gray	2013/02/20	projection	MM	size	A2	scale	2:1											
tolerance std	TOLERANCES UNLESS OTHERWISE SPECIFIED	eng	Peng-Bing Fu	2017/11/07			ecn no	ELX-DG-28204-1													
ASME Y14.5M		chr	Justin Chen	2017/11/29			rel level	Released													
		appr	Heaven Cen	2017/11/30			product family	ExaMAX													
surface	<table border="1"> <tr> <td>linear</td> <td>0.X</td> <td>±.3</td> </tr> <tr> <td></td> <td>0.XX</td> <td>±.10</td> </tr> <tr> <td></td> <td>0.XXX</td> <td>±.050</td> </tr> <tr> <td>angular</td> <td>0°</td> <td>±2°</td> </tr> </table>	linear	0.X	±.3		0.XX	±.10		0.XXX	±.050	angular	0°	±2°	Amphenol FCi	title ExaMAX VERTICAL HEADER ASS'Y, 2 PAIR, 64 POS, 8 IMLA			dwg no	10124412		
linear	0.X	±.3																			
	0.XX	±.10																			
	0.XXX	±.050																			
angular	0°	±2°																			
			cat. no.	SEE TABLE	Product - Customer Drw	rev	B														
				PDS: Rev :B		STATUS:Released		Printed: Dec 12, 2017													



RECOMMENDED PCB LAYOUT FOR  
10124412-Y02LF (END WALLLED CONNECTOR) COMPONENT SIDE  
SEE NOTES 7, 8, 9, & 11

spec ref	SEE NOTES	dr	Mark R Gray	2013/02/20	projection	MM	size	A2	scale	3:1
tolerance std	TOLERANCES UNLESS OTHERWISE SPECIFIED	eng	Peng-Bing Fu	2017/11/07			ecn no	ELX-DG-28204-1	rel level	Released
ASME Y14.5M		chr	Justin Chen	2017/11/29						
		appr	Heaven Cen	2017/11/30						
surface	linear	0.X	±.3		product family		ExaMAX	title ExaMAX VERTICAL HEADER ASS'Y, 2 PAIR, 64 POS, 8 IMLA cat. no. SEE TABLE	dwg no 10124412	rev B
		0.XX	±.10		Product - Customer Drw		sheet 7 of 17			
		0.XXX	±.050							
	angular	0°	±2°							



10124412-Y1ALF THRU -Y1JLF  
 RIGHT GUIDANCE CONNECTOR (SEE NOTE 17)  
 FOR ALL OTHER DIMENSIONS SEE SHEET 1

Amphenol  
 FCI

© 2016 AFCI

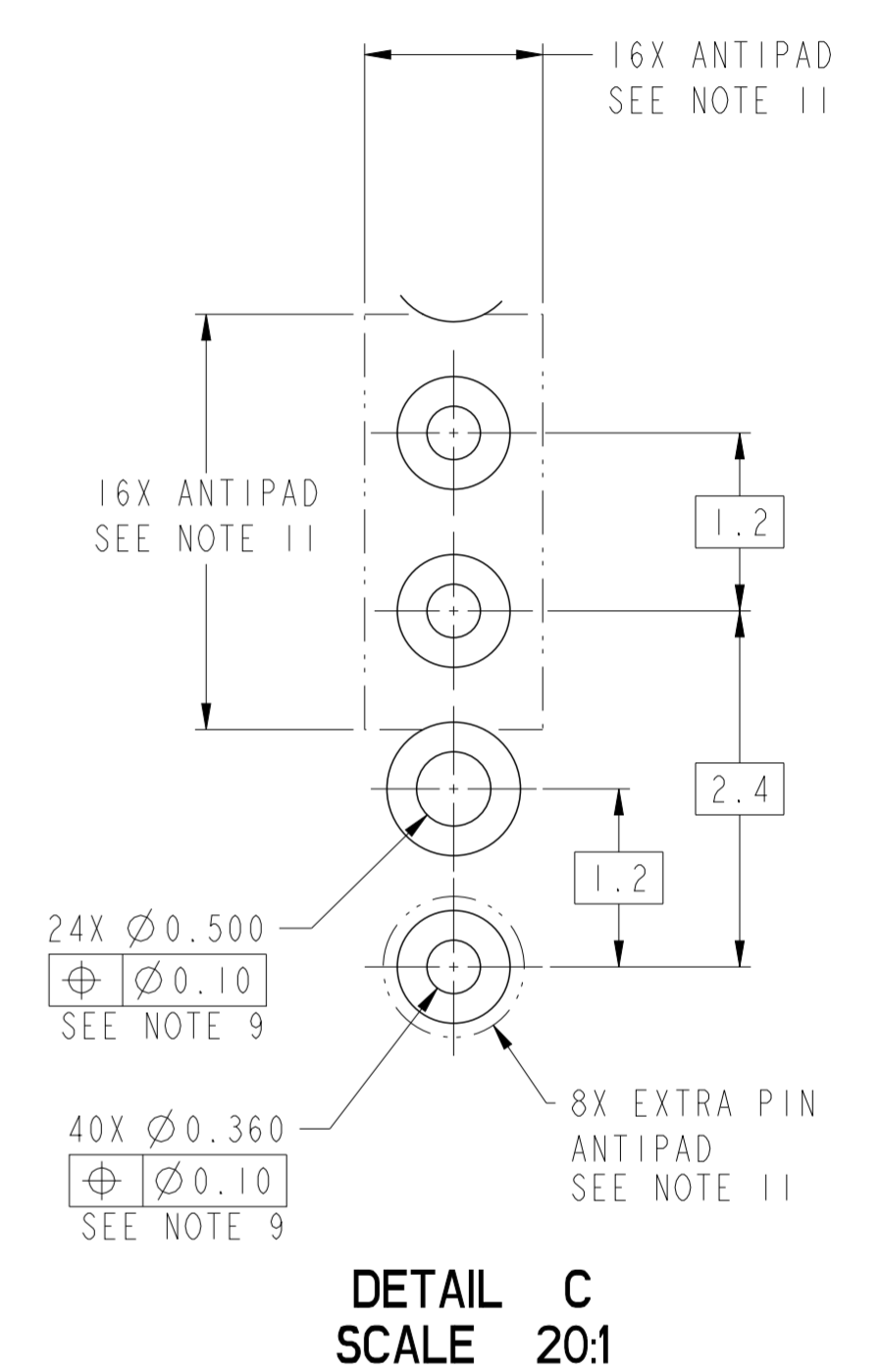
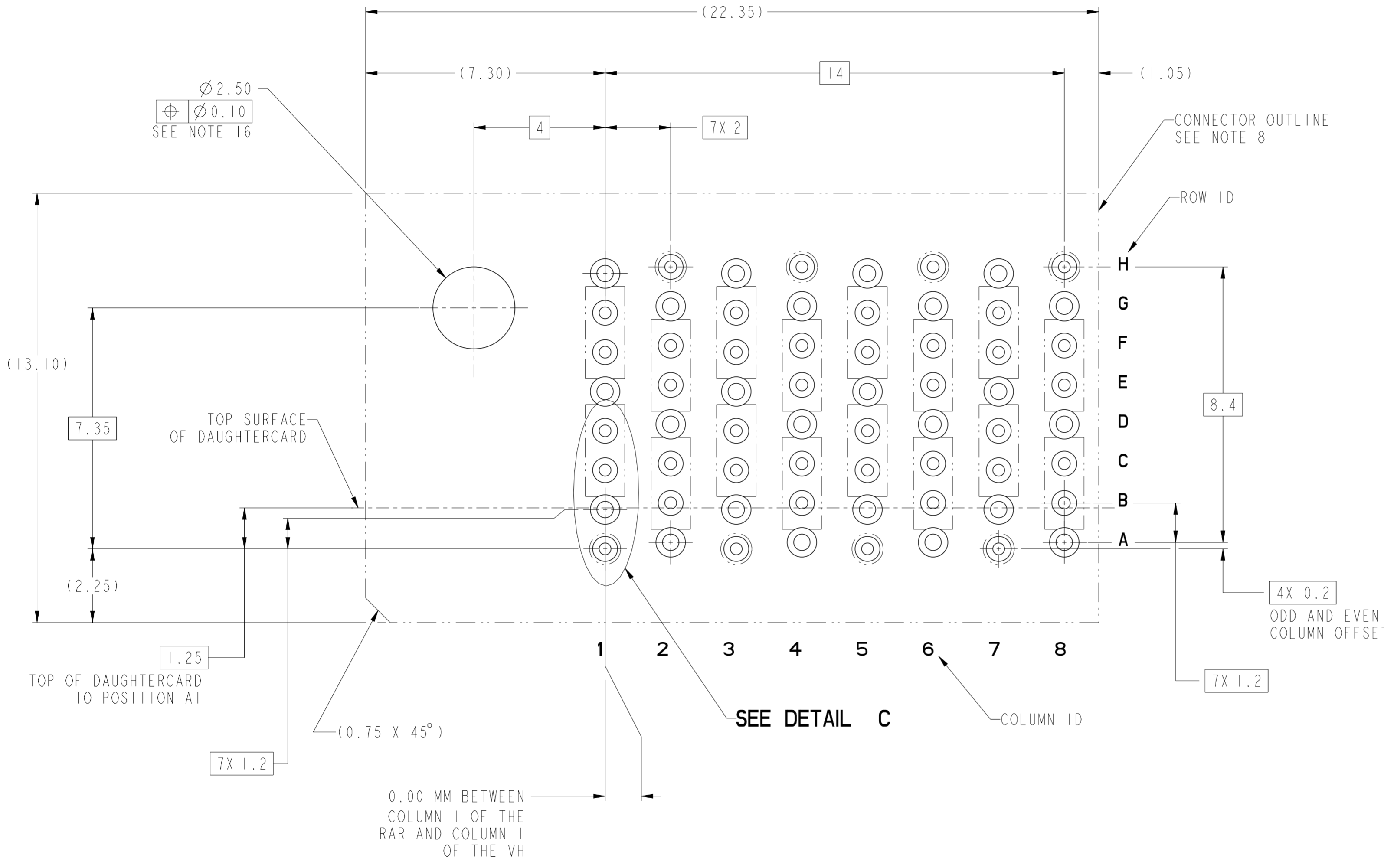
spec ref	SEE NOTES	dr	Mark R Gray	2013/02/20	projection	MM	size	A2	scale	2:1											
tolerance std	TOLERANCES UNLESS OTHERWISE SPECIFIED	eng	Peng-Bing Fu	2017/11/07			ecn no	ELX-DG-28204-1													
ASME Y14.5M		chr	Justin Chen	2017/11/29			rel level	Released													
		appr	Heaven Cen	2017/11/30			product family	ExaMAX													
surface	<table border="1"> <tr> <td>linear</td> <td>0.X</td> <td>±.3</td> </tr> <tr> <td></td> <td>0.XX</td> <td>±.10</td> </tr> <tr> <td></td> <td>0.XXX</td> <td>±.050</td> </tr> <tr> <td>angular</td> <td>0°</td> <td>±2°</td> </tr> </table>	linear	0.X	±.3		0.XX	±.10		0.XXX	±.050	angular	0°	±2°	Amphenol <b>FCI</b>	<b>title</b> ExaMAX VERTICAL HEADER ASS'Y, 2 PAIR, 64 POS, 8 IMLA			dwg no	10124412		
linear	0.X	±.3																			
	0.XX	±.10																			
	0.XXX	±.050																			
angular	0°	±2°																			
			cat. no.	SEE TABLE	Product - Customer Drw	rev	B														

PDS: Rev :B

STATUS:Released

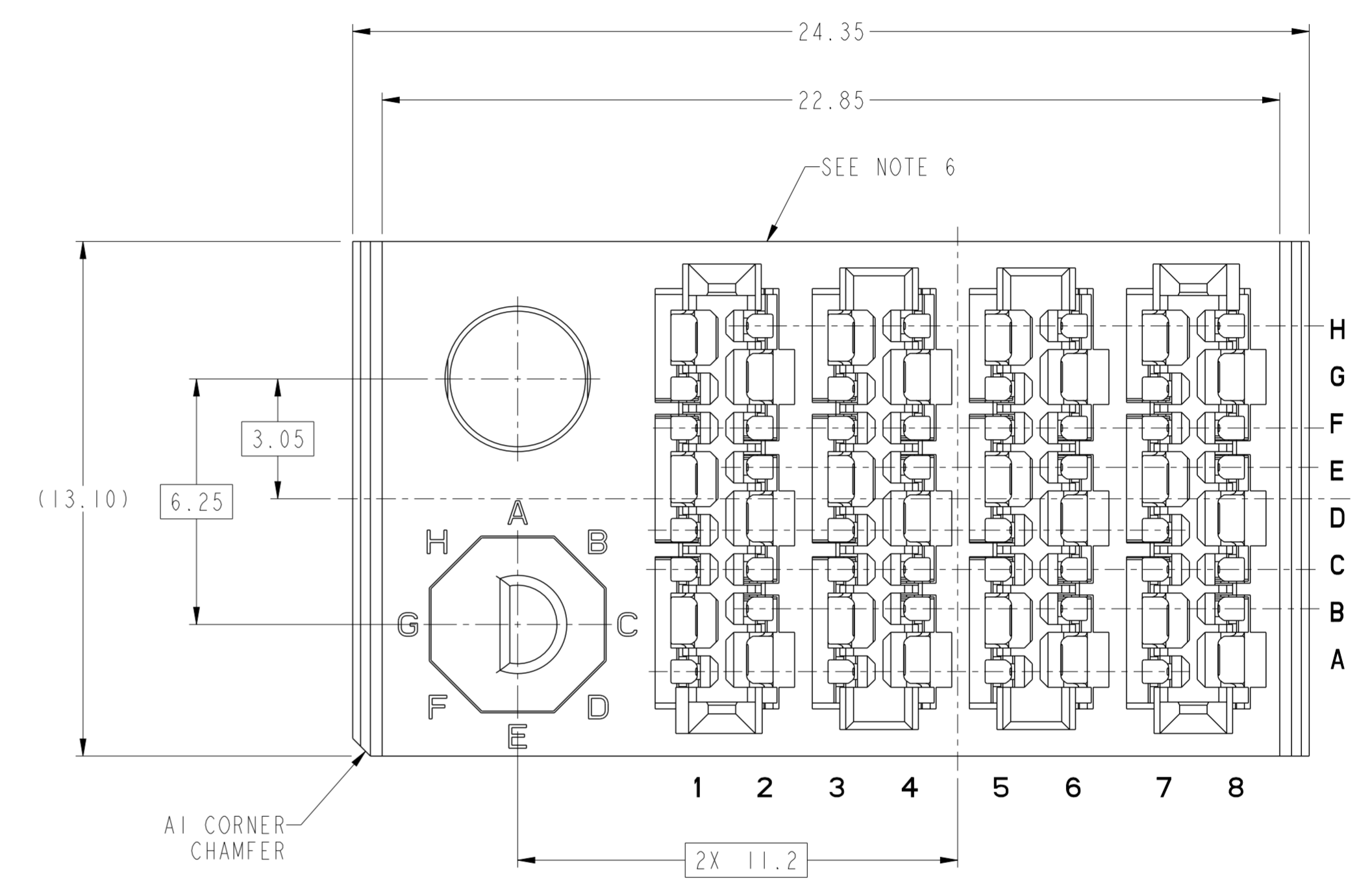
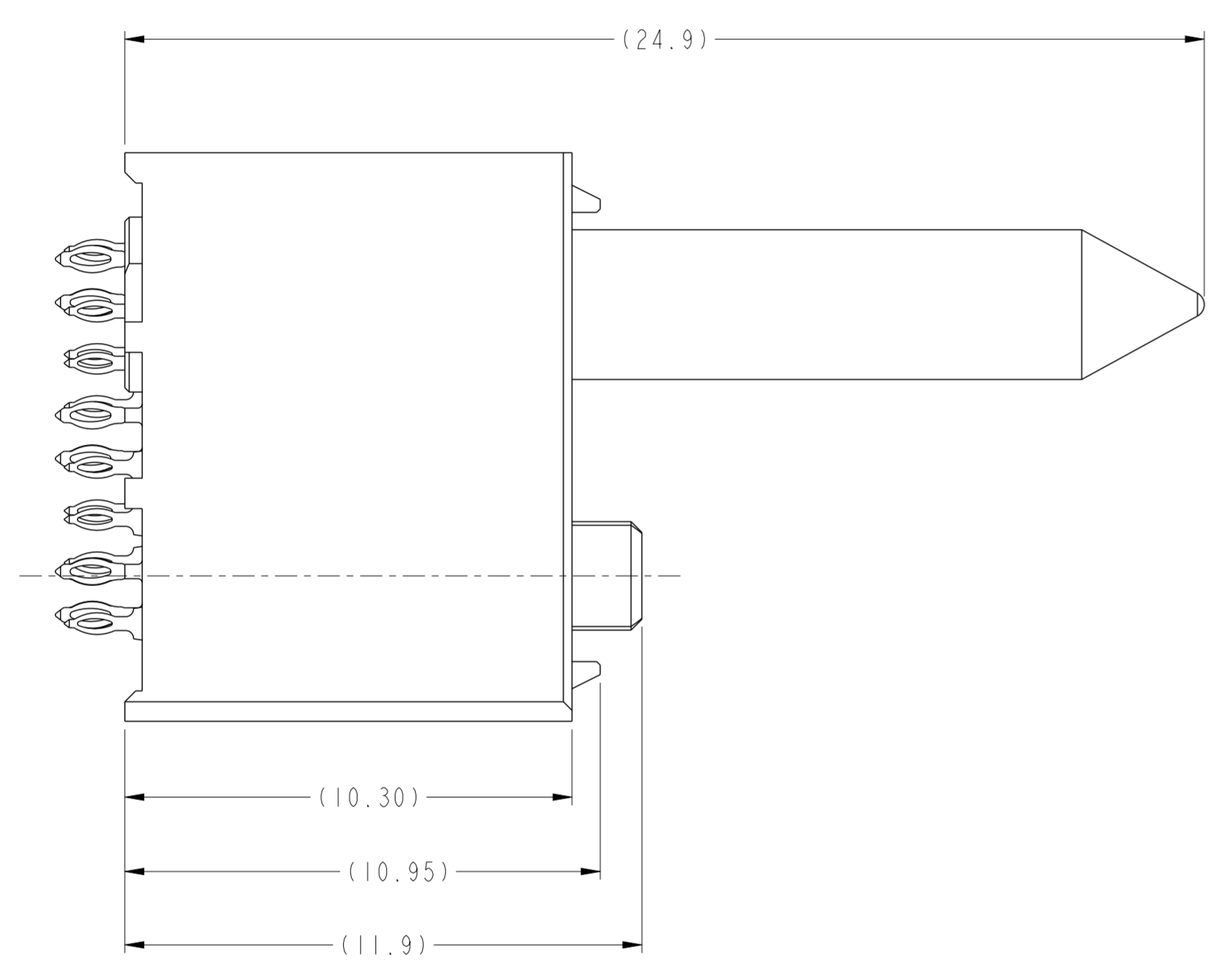
Printed: Dec 12, 2017





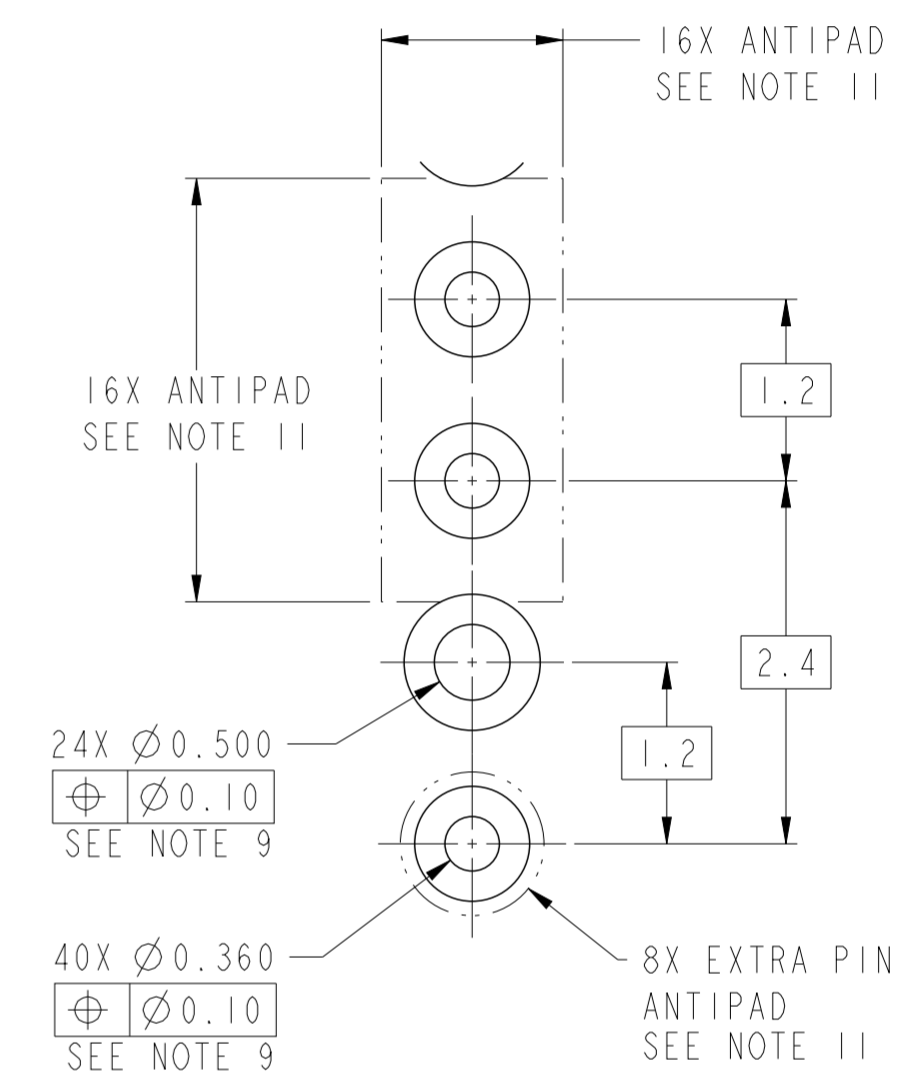
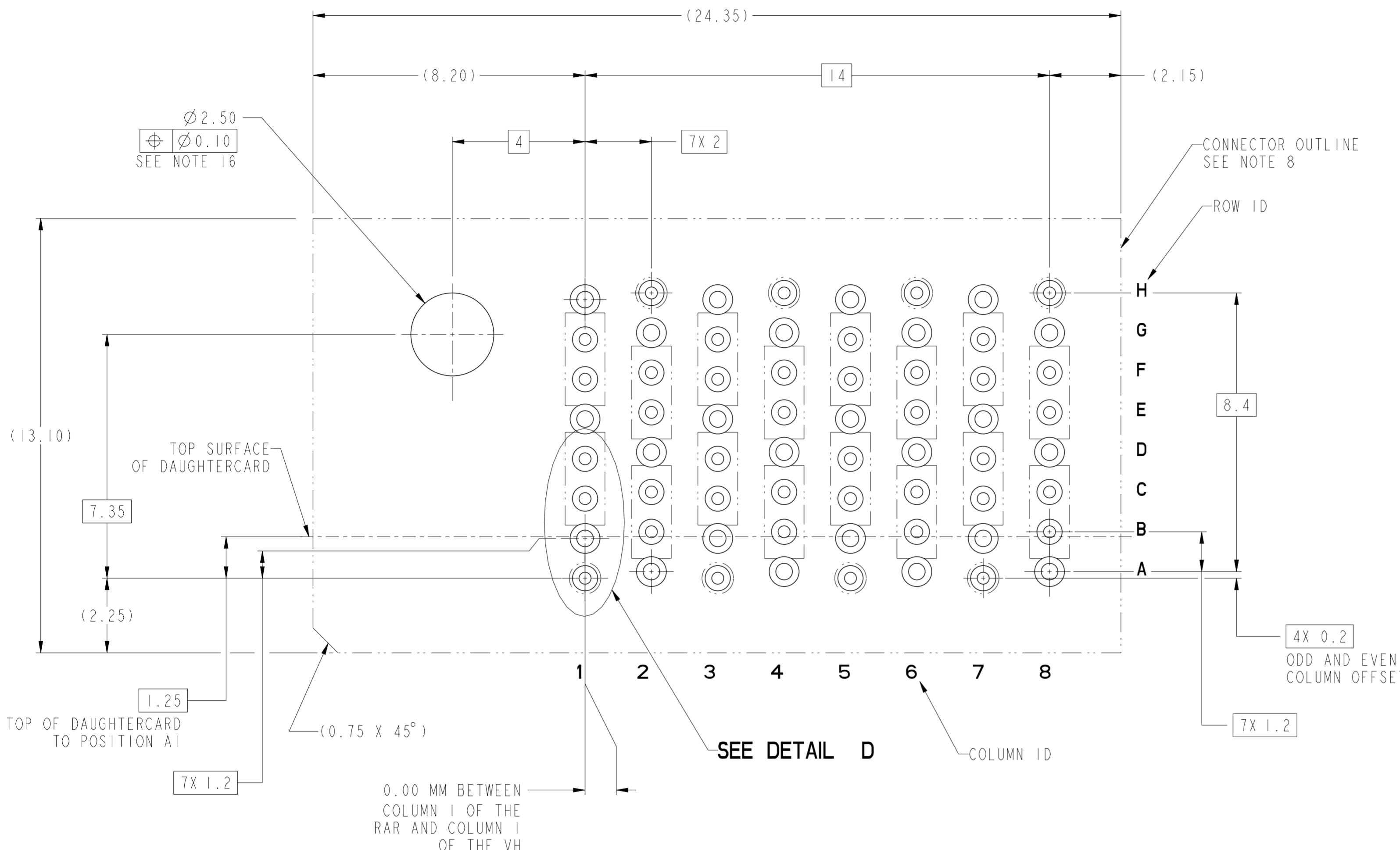
**RECOMMENDED PCB LAYOUT FOR  
10124412-Y1YLF w/o END WALLS  
COMPONENT SIDE  
SEE NOTES 8, 9, 11 & 16**

spec ref	SEE NOTES	dr	Mark R Gray	2013/02/20	projection	MM	size	A2	scale	2:1
tolerance std	TOLERANCES UNLESS OTHERWISE SPECIFIED	eng	Peng-Bing Fu	2017/11/07			ecn no	ELX-DG-28204-1	rel level	Released
ASME Y14.5M		chr	Justin Chen	2017/11/29						
		appr	Heaven Cen	2017/11/30						
product family	ExaMAX	product family	ExaMAX		rel level	Released		rel level	Released	
surface	linear	0.X	±.3		title		ExaMAX VERTICAL HEADER	dwg no 10124412	rev B	
		0.XX	±.10		title		ASS'Y, 2 PAIR, 64 POS, 8 IMLA			
		0.XXX	±.050		cat. no.		SEE TABLE			
	angular	0°	±2°	Product - Customer Drw		sheet 9 of 17				



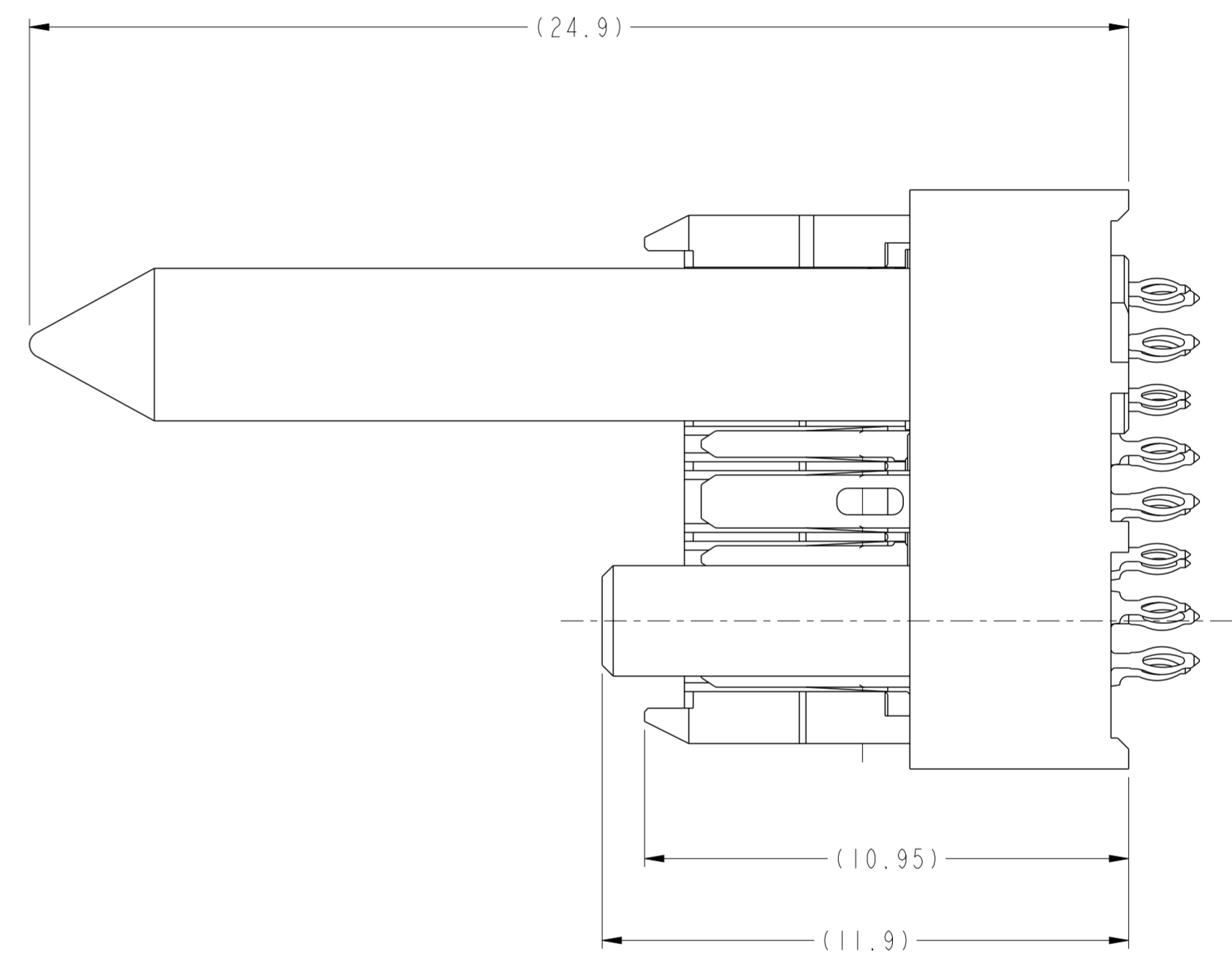
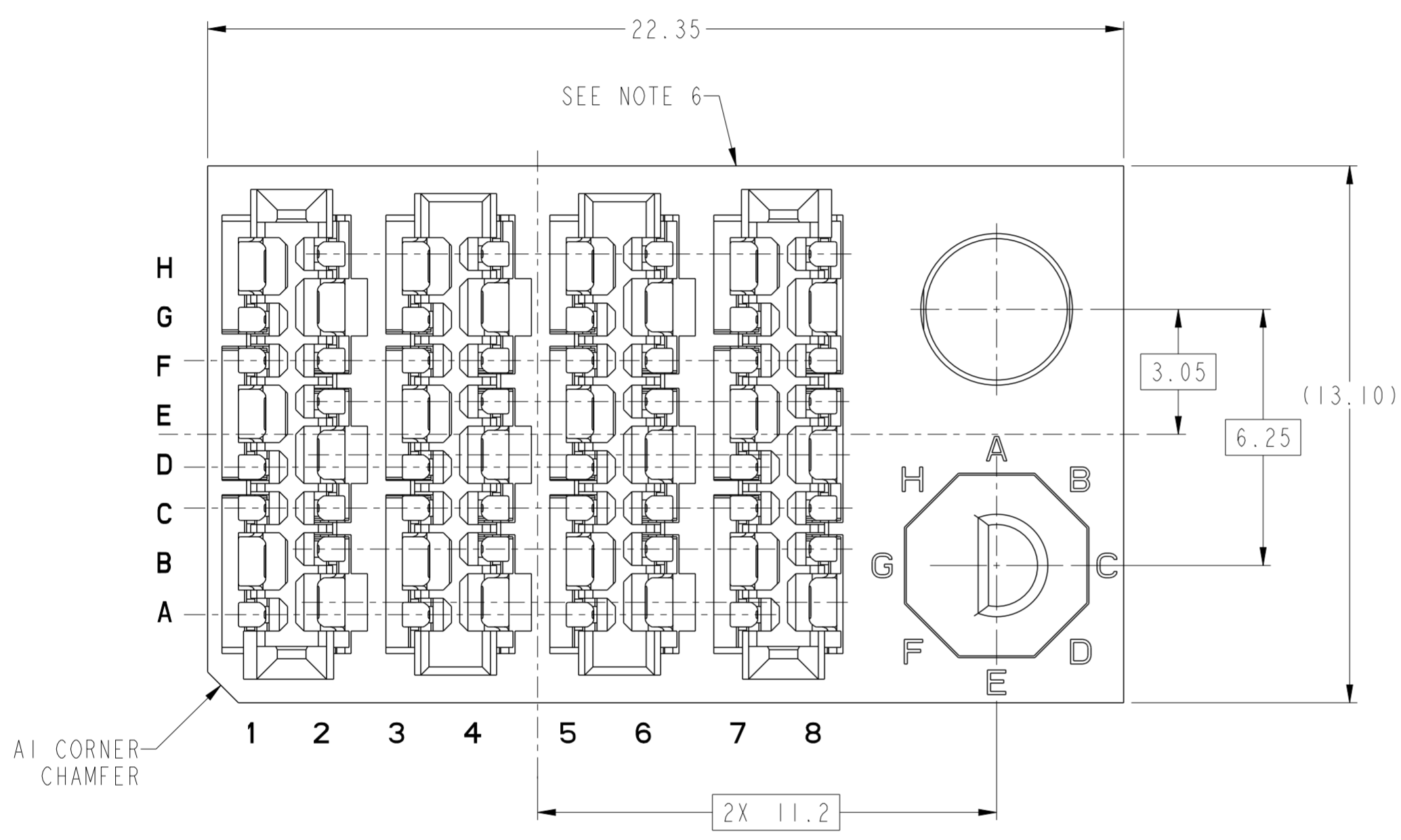
10124412-Y1LLF THRU -Y1WLF  
RIGHT GUIDANCE CONNECTOR w/END WALLS (SEE NOTE 17)  
FOR ALL OTHER DIMENSIONS SEE SHEET 1

spec ref	SEE NOTES	dr	Mark R Gray	2013/02/20	projection	MM	size	A2	scale	2:1											
tolerance std	TOLERANCES UNLESS OTHERWISE SPECIFIED	eng	Peng-Bing Fu	2017/11/07			ecn no	ELX-DG-28204-1													
ASME Y14.5M		chr	Justin Chen	2017/11/29			rel level	Released													
		appr	Heaven Cen	2017/11/30			product family	ExaMAX													
surface	<table border="1"> <tr> <td>linear</td> <td>0.X</td> <td>±.3</td> </tr> <tr> <td></td> <td>0.XX</td> <td>±.10</td> </tr> <tr> <td></td> <td>0.XXX</td> <td>±.050</td> </tr> <tr> <td>angular</td> <td>0°</td> <td>±2°</td> </tr> </table>	linear	0.X	±.3		0.XX	±.10		0.XXX	±.050	angular	0°	±2°	Amphenol FCi	title ExaMAX VERTICAL HEADER ASS'Y, 2 PAIR, 64 POS, 8 IMLA			dwg no	10124412		
linear	0.X	±.3																			
	0.XX	±.10																			
	0.XXX	±.050																			
angular	0°	±2°																			
			cat. no.	SEE TABLE	Product - Customer Drw	rev	B														
							sheet 10 of 17														



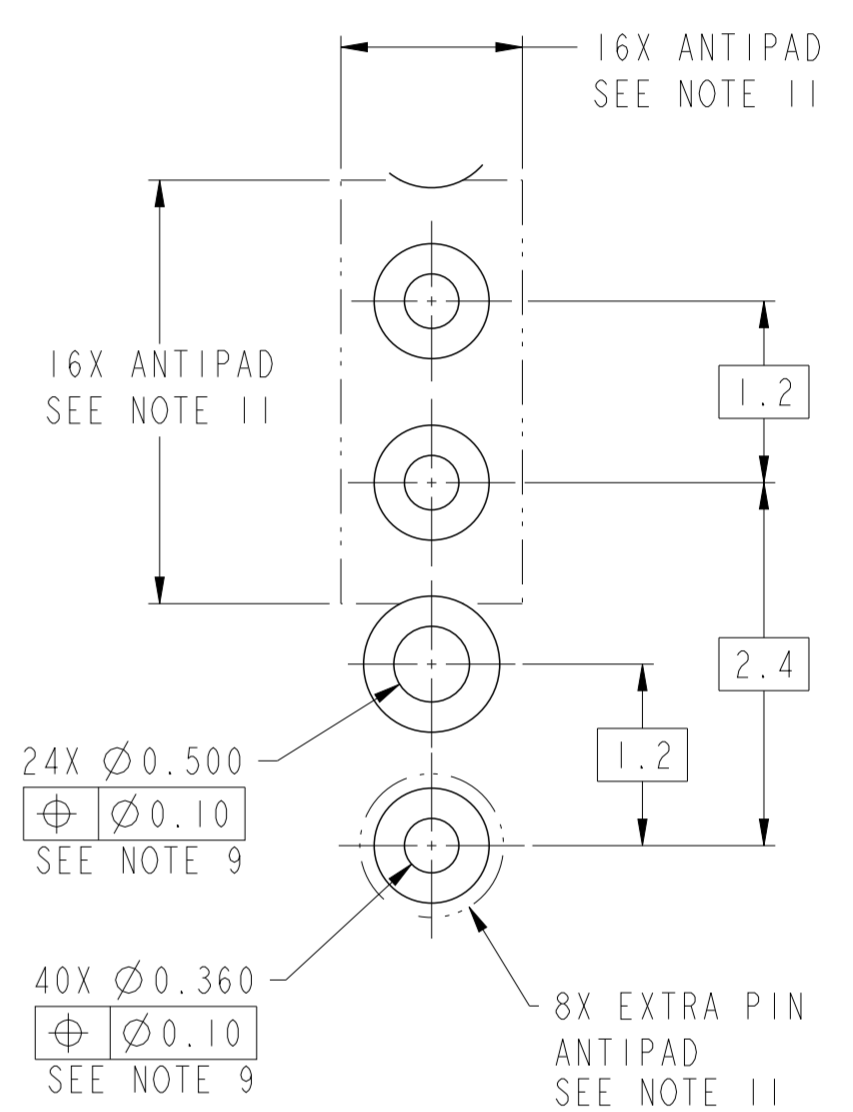
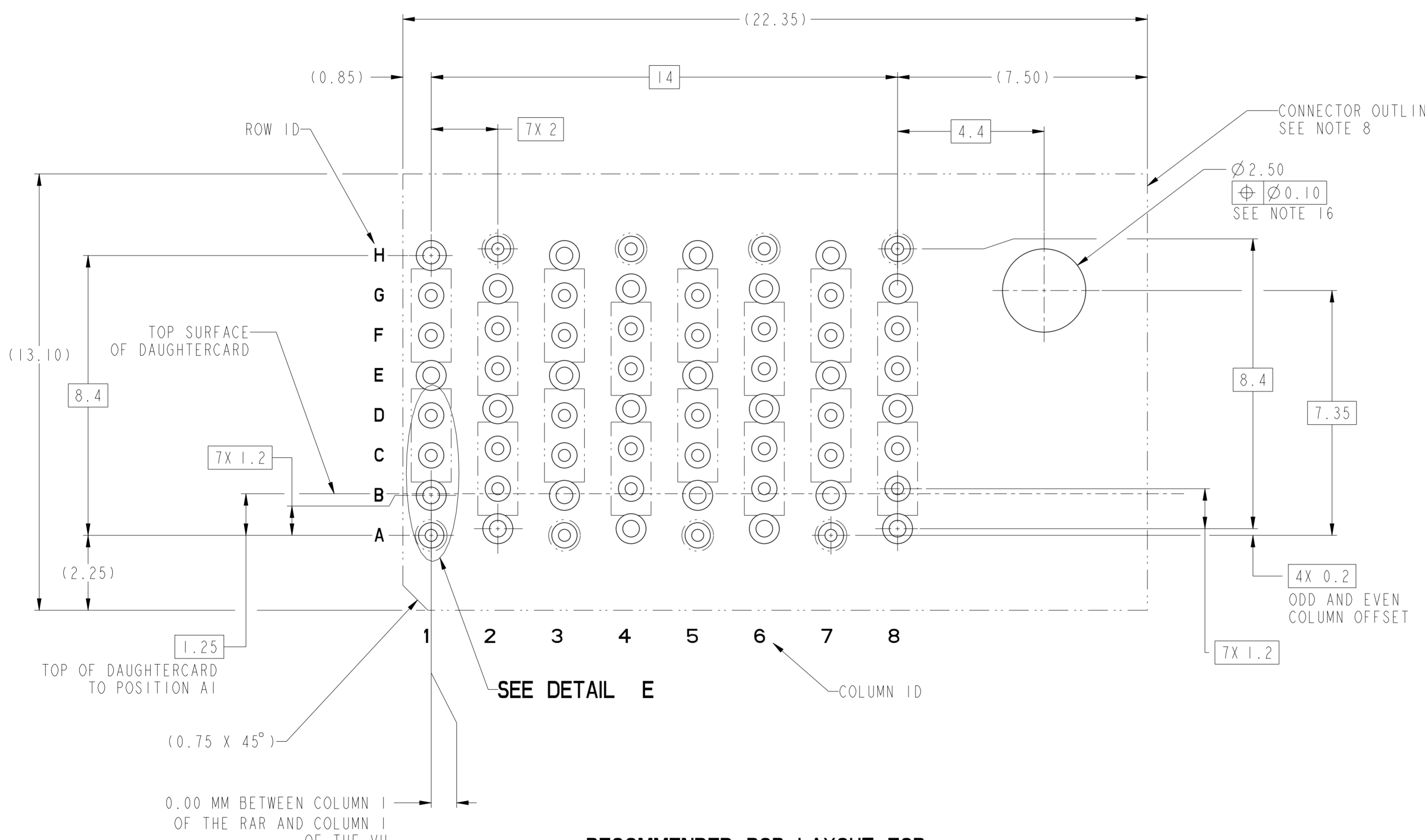
**RECOMMENDED PCB LAYOUT FOR  
10124412-Y1YLF w/END WALLS  
COMPONENT SIDE  
SEE NOTES 8, 9, 11 & 16**

spec ref	SEE NOTES	dr	Mark R Gray	2013/02/20	projection	MM	size	A2	scale	5:1											
tolerance std	TOLERANCES UNLESS OTHERWISE SPECIFIED	eng	Peng-Bing Fu	2017/11/07			ecn no	ELX-DG-28204-1													
ASME Y14.5M		chr	Justin Chen	2017/11/29			rel level	Released													
		appr	Heaven Cen	2017/11/30			product family	ExaMAX													
surface	<table border="1"> <tr> <td>linear</td> <td>0.X</td> <td>±.3</td> </tr> <tr> <td></td> <td>0.XX</td> <td>±.10</td> </tr> <tr> <td></td> <td>0.XXX</td> <td>±.050</td> </tr> <tr> <td>angular</td> <td>0°</td> <td>±2°</td> </tr> </table>	linear	0.X	±.3		0.XX	±.10		0.XXX	±.050	angular	0°	±2°			title ExaMAX VERTICAL HEADER ASS'Y, 2 PAIR, 64 POS, 8 IMLA		dwg no 10124412	rev B	cat. no. SEE TABLE Product - Customer Drw sheet 11 of 17	
linear	0.X	±.3																			
	0.XX	±.10																			
	0.XXX	±.050																			
angular	0°	±2°																			



10124412-Y2ALF THRU -Y2JLF  
LEFT GUIDANCE CONNECTOR (SEE NOTE 17)  
FOR ALL DIMENSIONS SEE SHEET 1

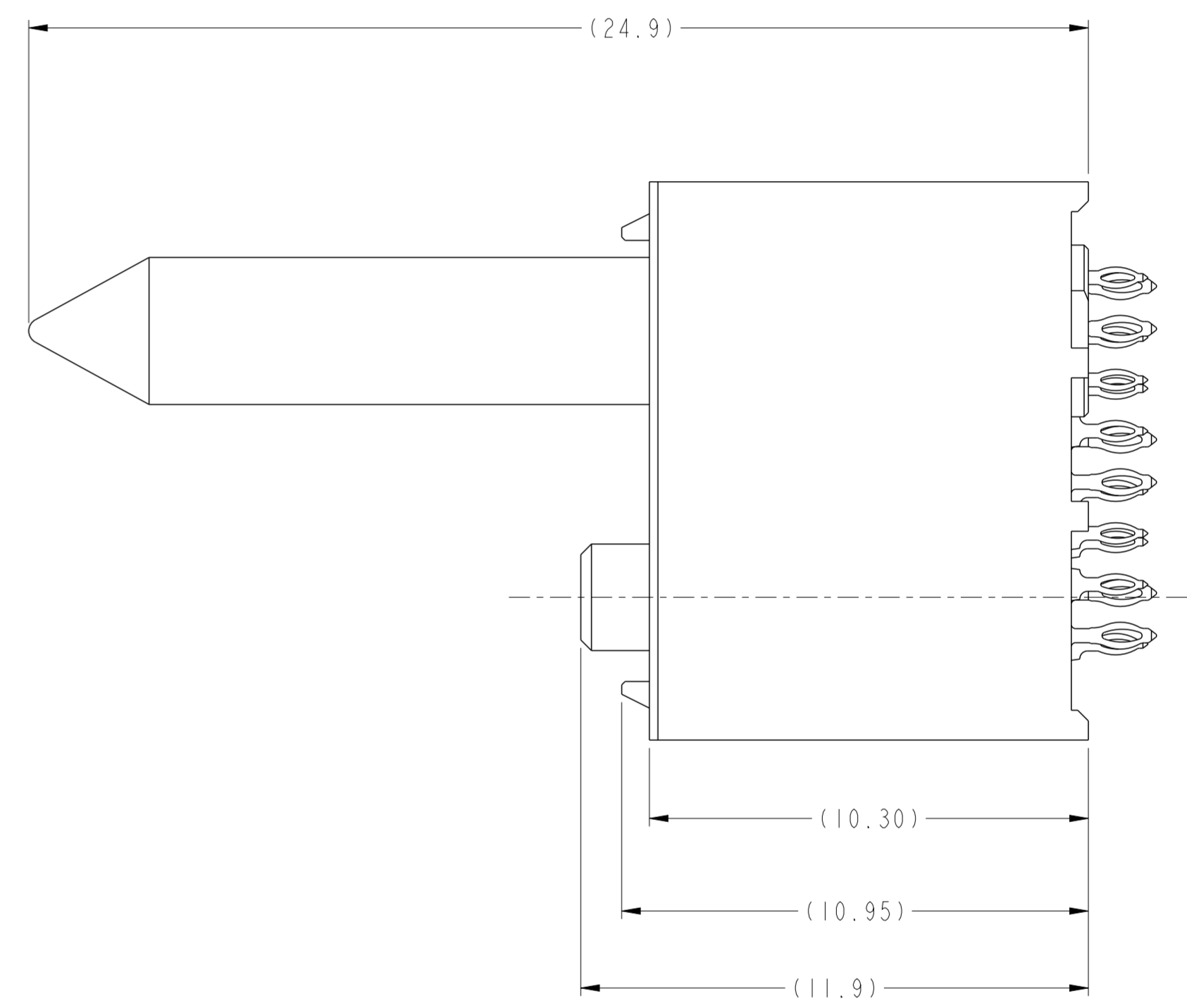
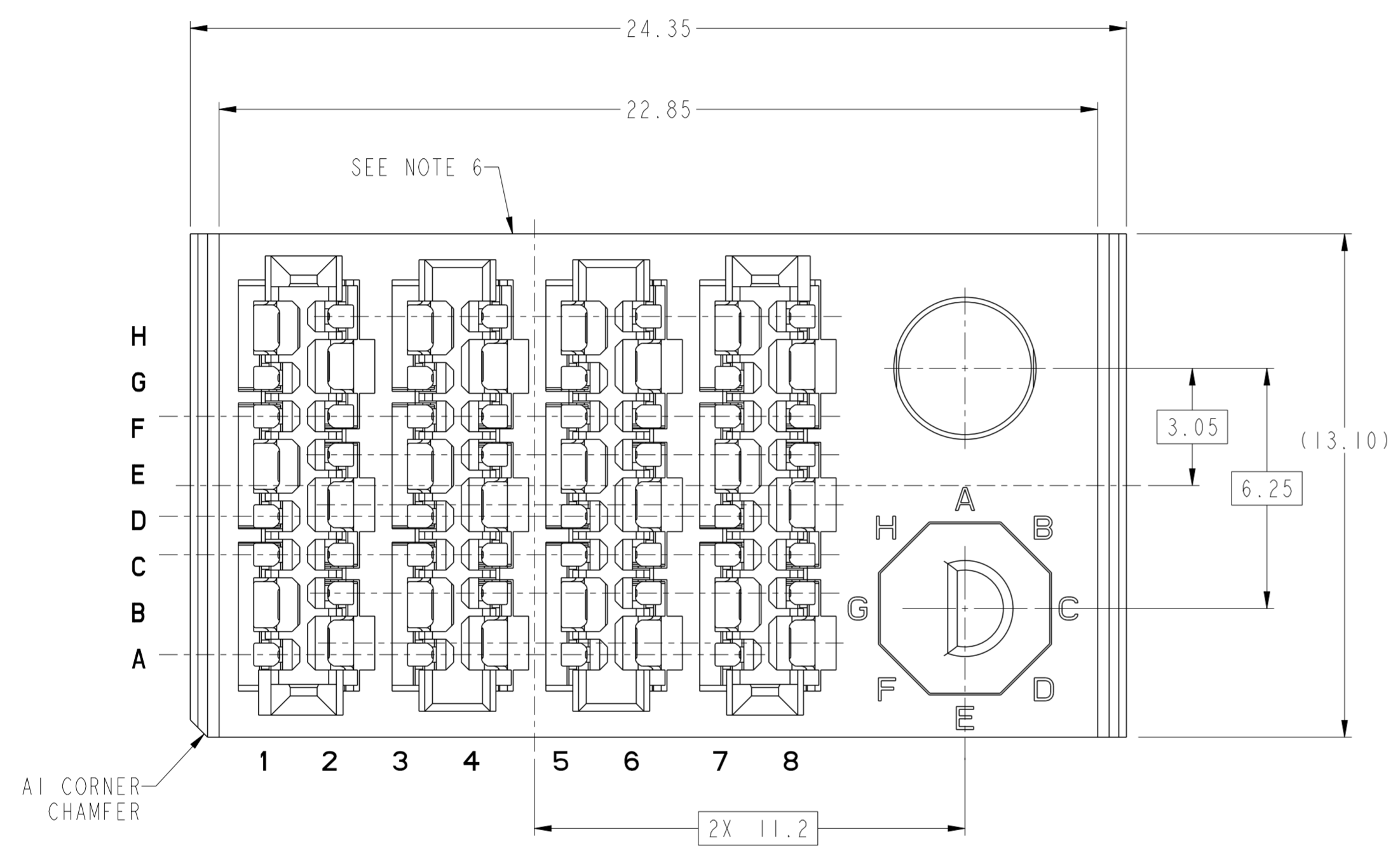
spec ref	SEE NOTES	dr	Mark R Gray	2013/02/20	projection	MM	size	A2	scale	10:1											
tolerance std	TOLERANCES UNLESS OTHERWISE SPECIFIED	eng	Peng-Bing Fu	2017/11/07			ecn no	ELX-DG-28204-1													
ASME Y14.5M		chr	Justin Chen	2017/11/29			rel level	Released													
		appr	Heaven Cen	2017/11/30			product family	ExaMAX													
surface	<table border="1"> <tr> <td>linear</td> <td>0.X</td> <td>±.3</td> </tr> <tr> <td></td> <td>0.XX</td> <td>±.10</td> </tr> <tr> <td></td> <td>0.XXX</td> <td>±.050</td> </tr> <tr> <td>angular</td> <td>0°</td> <td>±2°</td> </tr> </table>	linear	0.X	±.3		0.XX	±.10		0.XXX	±.050	angular	0°	±2°			<b>title</b> ExaMAX VERTICAL HEADER ASS'Y, 2 PAIR, 64 POS, 8 IMLA		dwg no 10124412	rev B		
linear	0.X	±.3																			
	0.XX	±.10																			
	0.XXX	±.050																			
angular	0°	±2°																			
		cat. no.	SEE TABLE		Product - Customer Drw		sheet 12 of 17														



**DETAIL E**  
**SCALE 20:1**

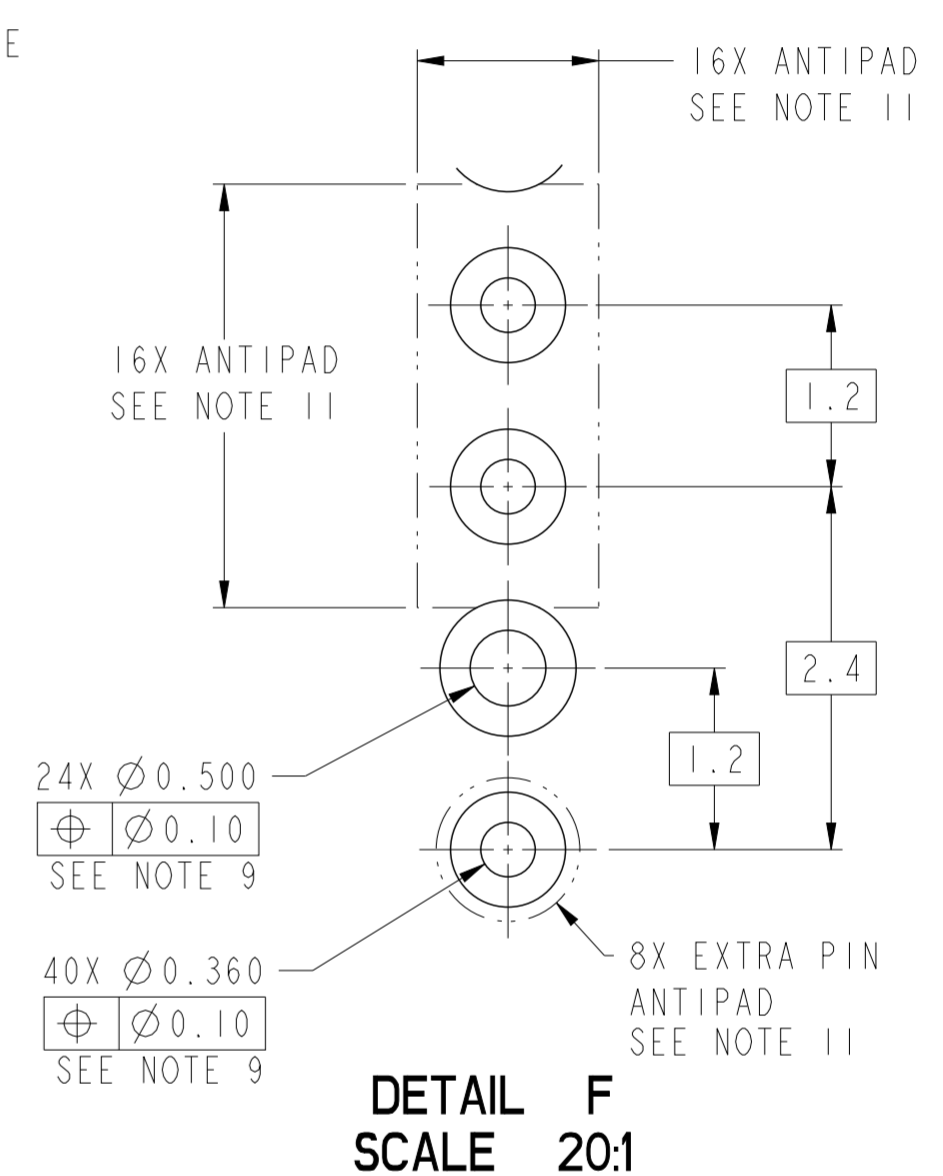
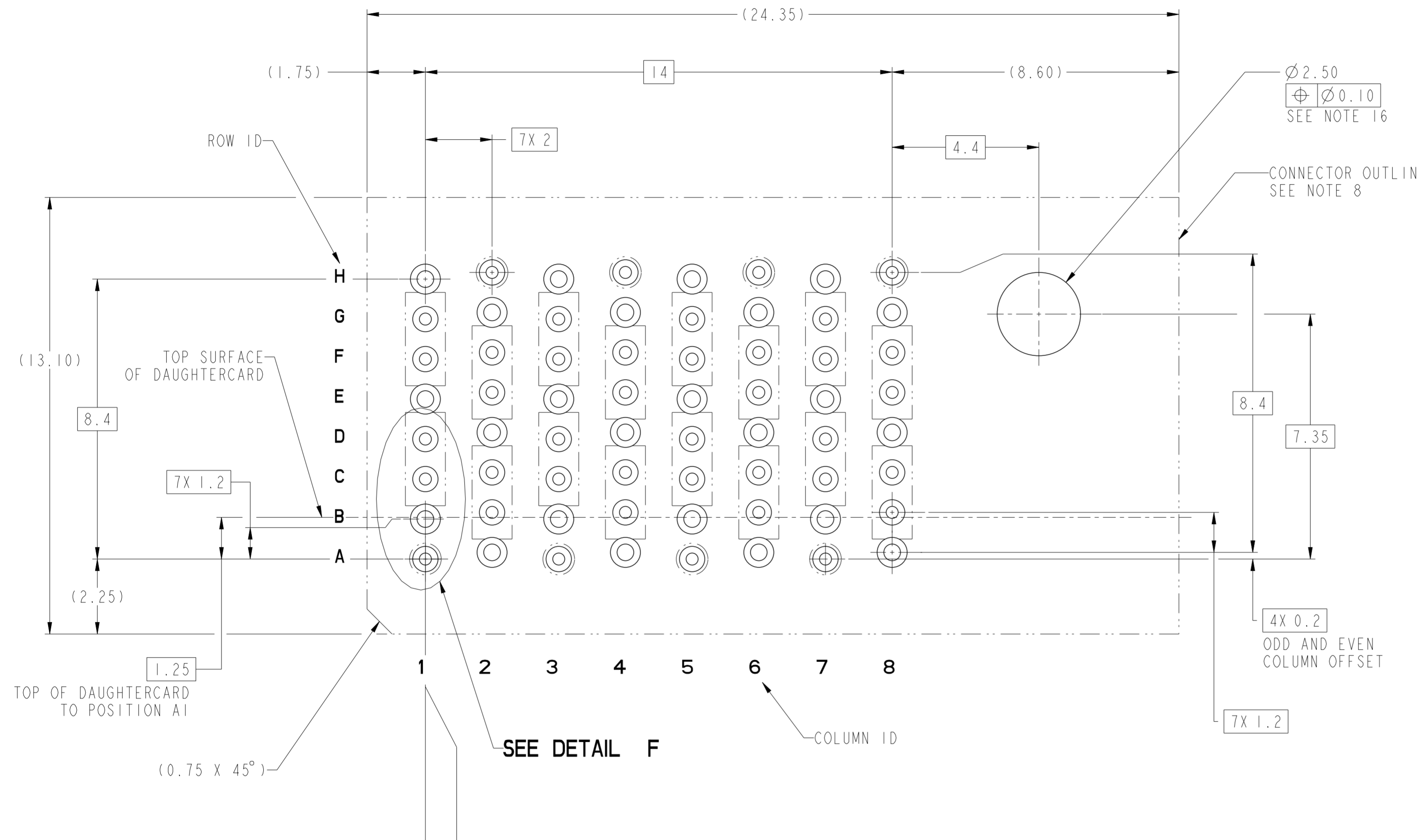
**RECOMMENDED PCB LAYOUT FOR  
10124412-Y2YLF w/o END WALLS  
COMPONENT SIDE  
SEE NOTES 8, 9, 11, & 16**

spec ref	SEE NOTES	dr	Mark R Gray	2013/02/20	projection	MM	size	A2	scale	2:1
tolerance std	TOLERANCES UNLESS OTHERWISE SPECIFIED	eng	Peng-Bing Fu	2017/11/07			ecn no	ELX-DG-28204-1	rel level	Released
ASME Y14.5M		chr	Justin Chen	2017/11/29						
		appr	Heaven Cen	2017/11/30						
surface	linear	0.X	±.3		product family		ExaMAX	title ExaMAX VERTICAL HEADER ASS'Y, 2 PAIR, 64 POS, 8 IMLA cat. no. SEE TABLE	dwg no 10124412	rev B
		0.XX	±.10		Product - Customer Drw		sheet 13 of 17			
	angular	0°	±2°							



10124412-Y2LLF THRU -Y2WLF  
LEFT GUIDANCE CONNECTOR w/END WALLS (SEE NOTE 17)  
FOR ALL OTHER DIMENSIONS SEE SHEET 1

spec ref	SEE NOTES	dr	Mark R Gray	2013/02/20	projection	MM	size	A2	scale	2:1											
tolerance std	TOLERANCES UNLESS OTHERWISE SPECIFIED	eng	Peng-Bing Fu	2017/11/07			ecn no	ELX-DG-28204-1													
ASME Y14.5M		chr	Justin Chen	2017/11/29			rel level	Released													
		appr	Heaven Cen	2017/11/30			product family	ExaMAX													
surface	<table border="1"> <tr> <td>linear</td> <td>0.X</td> <td>±.3</td> </tr> <tr> <td></td> <td>0.XX</td> <td>±.10</td> </tr> <tr> <td></td> <td>0.XXX</td> <td>±.050</td> </tr> <tr> <td>angular</td> <td>0°</td> <td>±2°</td> </tr> </table>	linear	0.X	±.3		0.XX	±.10		0.XXX	±.050	angular	0°	±2°	Amphenol FCi	title ExaMAX VERTICAL HEADER ASS'Y, 2 PAIR, 64 POS, 8 IMLA			dwg no	10124412		
linear	0.X	±.3																			
	0.XX	±.10																			
	0.XXX	±.050																			
angular	0°	±2°																			
			cat. no.	SEE TABLE	Product - Customer Drw	rev	B														



**RECOMMENDED PCB LAYOUT FOR  
10124412-Y2YLF w/END WALLS  
COMPONENT SIDE  
SEE NOTES 8, 9, 11, & 16**

spec ref	SEE NOTES	dr	Mark R Gray	2013/02/20	projection	MM	size	A2	scale	5:1
tolerance std	TOLERANCES UNLESS OTHERWISE SPECIFIED	eng	Peng-Bing Fu	2017/11/07			ecn no	ELX-DG-28204-1	rel level	Released
ASME Y14.5M		chr	Justin Chen	2017/11/29						
		appr	Heaven Cen	2017/11/30						
surface	linear	0.X	±.3		product family		ExaMAX	title ExaMAX VERTICAL HEADER ASS'Y, 2 PAIR, 64 POS, 8 IMLA cat. no. SEE TABLE	Product - Customer Drw	sheet 15 of 17
		0.XX	±.10		rel level	Released				
		0.XXX	±.050		rel level	Released				
	angular	0°	±2°							

10124412 - Y Y Y L F

ASSEMBLY PART NUMBER	DESCRIPTION
10124412-1YYLF	STANDARD MATE
10124412-2YYLF	ADVANCED MATE
10124412-3YYLF	SHORT DETECT
10124412-4YYLF	ADVANCED MATE & SHORT DETECT

MODULE DESCRIPTION	DESIGNATION REPRESENTED IN DASH NUMBER									BASE MODULE
WITHOUT END WALLS (SEE SHEET 1)	<b>01</b>									
WITH END WALLS (SEE SHEET 6)	<b>02</b>									
RIGHT GUIDANCE MODULE, WITHOUT END WALLS (SEE SHEET 8)	<b>1A</b>	<b>1B</b>	<b>1C</b>	<b>1D</b>	<b>1E</b>	<b>1F</b>	<b>1G</b>	<b>1H</b>	<b>1J</b> (NO KEY)	
RIGHT GUIDANCE MODULE, WITH END WALLS (SEE SHEET 10)	<b>1L</b>	<b>1M</b>	<b>1N</b>	<b>1P</b>	<b>1R</b>	<b>1T</b>	<b>1U</b>	<b>1V</b>	<b>1W</b> (NO KEY)	
LEFT GUIDANCE MODULE, WITHOUT END WALLS (SEE SHEET 12)	<b>2A</b>	<b>2B</b>	<b>2C</b>	<b>2D</b>	<b>2E</b>	<b>2F</b>	<b>2G</b>	<b>2H</b>	<b>2J</b> (NO KEY)	
LEFT GUIDANCE MODULE, WITH END WALLS (SEE SHEET 14)	<b>2L</b>	<b>2M</b>	<b>2N</b>	<b>2P</b>	<b>2R</b>	<b>2T</b>	<b>2U</b>	<b>2V</b>	<b>2W</b> (NO KEY)	

Amphenol FCI

spec ref	SEE NOTES	dr	Mark R Gray	2013/02/20	projection	MM	size	A2	scale	2:1	
tolerance std	ASME Y14.5M	eng	Peng-Bing Fu	2017/11/07		←	ecn no	ELX-DG-28204-1	rel level	Released	
TOLERANCES UNLESS OTHERWISE SPECIFIED		chr	Justin Chen	2017/11/29			product family	ExaMAX		rel level	Released
		appr	Heaven Cen	2017/11/30			title	ExaMAX VERTICAL HEADER		cat. no.	SEE TABLE
surface	-	linear	0.X	±.3	Amphenol FCI	ASS'Y, 2 PAIR, 64 POS, 8 IMLA	dwg no	10124412	rev	B	
			0.XX	±.10							
			0.XXX	±.050							
		angular	0°	±2°							

PDS: Rev :B

STATUS:Released

Printed: Dec 12, 2017



NOTES:

- ① - CONNECTOR MATERIALS:  
HOUSING: HIGH TEMP THERMOPLASTIC, BLACK, UL94-V0  
IMLA PLASTIC: HIGH TEMP THERMOPLASTIC, BLACK, UL94-V0  
CONTACT: COPPER ALLOY  
GUIDE PIN: ZINC ALLOY  
POLARIZING PIN: ZINC ALLOY
- 2 - CONTACT PLATING:  
SEPARABLE INTERFACE:  
PERFORMANCE-BASED PLATING, QUALIFIED TO MEET THE REQUIREMENTS OF FCI PRODUCT SPECIFICATION GS-12-1096 INCLUDING TELCORDIA GR-1217-CORE (NOVEMBER 1995) CENTRAL OFFICE TEST SEQUENCE  
  
PRESS-FIT TAILS: TIN OVER NICKEL (LEAD FREE)
- 3 - PRODUCT SPECIFICATION: GS-12-1096
- 4.- APPLICATION SPECIFICATION GS-20-0361.
- 5 - PACKAGING MEETS GS-14-920 LEAD FREE LABELING SPECIFICATION.
- ⑥ - PRODUCT MARKING, (PART NUMBER & LOT CODE), ON THIS SURFACE.
- ⑦ - THE MINIMUM CENTERLINE SPACING BETWEEN ADJACENT MODULES IS 16.0 mm FOR 10124412-Y01LF AND 18.0 mm FOR 10124412-Y02LF.
- ⑧ - CONNECTOR OUTLINE MAY BE SCREEN PRINTED ONTO CUSTOMER PCB TO BE USED AS A GUIDE FOR MANUAL CONNECTOR PLACEMENT.
- ⑨ - REFER TO CUSTOMER DRAWING 10119933 FOR INFORMATION ON PCB HOLE DIAMETERS AND PLATING OPTIONS
- ⑩ - THIS PRODUCT MEETS THE EUROPEAN UNION DIRECTIVES & OTHER COUNTRY REGULATIONS AS DESCRIBED IN GS-47-0004.
- ⑪ - REFER TO ROUTING GUIDE GS-20-0511 FOR RECOMMENDATIONS ON OPTIMIZATION OF FOOTPRINT AND TRACE ROUTING LAYOUT.
- 12 - THE HOUSING WILL WITHSTAND EXPOSURE TO 260° C PEAK TEMPERATURE FOR 10-30 SECONDS IN A CONVECTION, INFRA-RED OR VAPOR PHASE REFLOW OVEN.
- ⑬ - THE ADVANCED MATE HEADER, 10124412-2YYLF, WHEN MATED WITH AN ADVANCED MATE RIGHT ANGLE RECEPTACLE, 10124411-2YYLF, WILL PROVIDE 2 PAIRS OF MATING CONTACTS THAT MATE 0.75MM BEFORE THE REMAINDER OF THE SIGNAL AND GROUND CONTACTS.
- ⑭ - THE SHORT DETECT HEADER, 10124412-3YYLF, WHEN MATED WITH A RIGHT ANGLE RECEPTACLE, 10124411-1YYLF, WILL PROVIDE 1 PAIR OF MATING CONTACTS THAT MATE 1.00 MM AFTER THE REMAINDER OF THE SIGNAL AND GROUND CONTACTS.
- ⑮ - THE ADVANCE MATE/SHORT DETECT HEADER, 10124412-4YYLF, WHEN MATED WITH AN ADVANCED MATE RECEPTACLE, 10124411-2YYLF, WILL PROVIDE 2 PAIRS OF MATING CONTACTS THAT MATE 0.75MM BEFORE THE REMAINDER OF THE SIGNAL AND GROUND CONTACTS AND 1 PAIR OF MATING CONTACTS THAT MATE 1.00MM AFTER THE REMAINDER OF THE SIGNAL AND GROUND CONTACTS.
- ⑯ - FOR CONNECTORS WITH EITHER A RIGHT OR LEFT GUIDE MODULE, A PHILLIPS PAN HEAD M2 X 0.4 HOLD-DOWN SCREW MUST BE USED TO SECURE THE CONNECTOR AND GUIDE PIN TO THE PCB. THE SCREW LENGTH SHALL BE 2.0-6.0 mm PLUS THE THICKNESS OF THE PCB. SCREW IS NOT PROVIDED WITH THE CONNECTOR.
- ⑰ - LEFT / RIGHT INTEGRATED GUIDE ORIENTATION IS DETERMINED BY THE LOCATION OF THE GUIDE FEATURES WHEN LOOKING AT THE MATING FACE OF THE RIGHT ANGEL RECEPTACLE. THE LEFT / RIGHT DESIGNATION OF THE MATING HEADER IS DEFINED BY THE RIGHT ANGEL RECEPTACLE THAT IT MATES WITH ( i. e. A RIGHT GUIDE VERTICAL HEADER MATES WITH A RIGHT GUIDE RIGHT ANGEL RECEPTACLE. )
- ⑱ - ALL GROUND CONTACTS ARE COMMONED WITHIN A COLUMN.

spec ref	SEE NOTES	dr	Mark R Gray	2013/02/20	projection	MM	size	A2	scale	3:1				
tolerance std	TOLERANCES UNLESS OTHERWISE SPECIFIED	eng	Peng-Bing Fu	2017/11/07		← →	ecn no	ELX-DG-28204-1	rel level	Released				
ASME Y14.5M		chr	Justin Chen	2017/11/29							product family	ExaMAX		
surface	linear	0.X	±.3	Amphenol FCi	title	ExaMAX VERTICAL HEADER	cat. no.	SEE TABLE	Product - Customer Drw	sheet 17 of 17				
✓		0.XX	±.10								dwg no	10124412	rev	B
		0.XXX	±.050											
	angular	0°	±2°											