

Protective covers - EV-T2SC - 1405217

Please be informed that the data shown in this PDF Document is generated from our Online Catalog. Please find the complete data in the user's documentation. Our General Terms of Use for Downloads are valid (<http://phoenixcontact.com/download>)



Self-closing hinged cover for Infrastructure Socket Outlet, Type 2, IEC 62196-2, Thread: M5

Product Description

Self-closing hinged cover for Infrastructure Socket Outlet



Key Commercial Data

Packing unit	1 STK
Weight per Piece (excluding packing)	120.0 g
Custom tariff number	85389099
Country of origin	Germany

Technical data

Product definition

Product type	Self-closing hinged cover for Infrastructure Socket Outlet
Standards/regulations	IEC 62196-2
Charging standard	Type 2
Charging mode	Mode 3
Type of charging current	AC

Dimensions

Height	93.7 mm
Width	85 mm
Depth	32.5 mm
Bore dimensions	60 mm x 60 mm

Ambient conditions

Protective covers - EV-T2SC - 1405217

Technical data

Ambient conditions

Ambient temperature (operation)	-30 °C ... 50 °C
Ambient temperature (storage/transport)	-40 °C ... 80 °C
	IP54

Mechanical properties

Cover mechanism	Self-closing
-----------------	--------------

Mounting

Possible mounting positions	Front mounting, screwed on the back
Required mounting screws	M5

Design

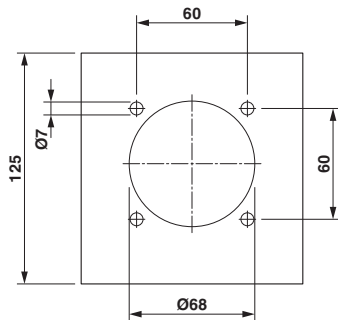
Design line	Standard
Housing color	black
Customer variations	On request

Material

Material	Plastic
----------	---------

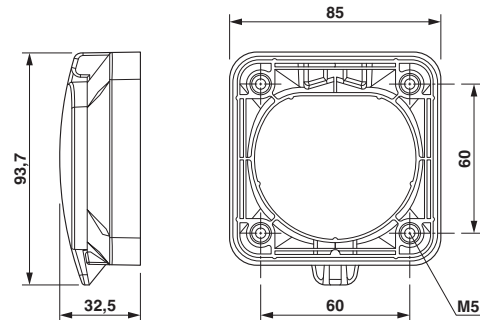
Drawings

Dimensional drawing



Hole image

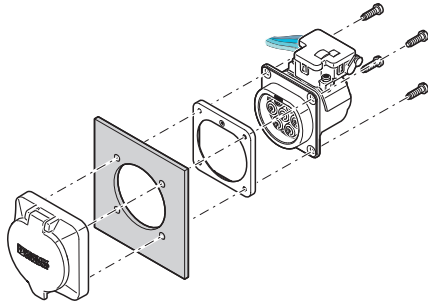
Dimensional drawing



Dimensional drawing

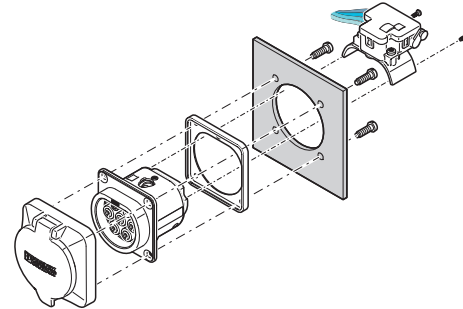
Protective covers - EV-T2SC - 1405217

Schematic diagram



Rear mounting with rear hinged cover screw connection
 The screw connection for a hinged cover from the accessories range (EV-T2SC) only supports rear mounting. The panel thickness must not exceed 5 mm. The sealing frame that is slid on from the rear must contact the housing wall flush with the flat side and must completely surround the Infrastructure Socket Outlet.

Schematic diagram



Front mounting with rear hinged cover screw connection
 Front mounting is only possible when the locking actuator is removed. We recommend using an Infrastructure Socket Outlet without pre-assembled locking actuator (EV-T2M3SE-...E0..., e.g., 1621729). The screw connection for a hinged cover from the accessories range (EV-T2SC) only supports rear mounting. The panel thickness must not exceed 10 mm. The sealing frame that is slid on from the front must contact the housing wall flush with the flat side and must completely surround the Infrastructure Socket Outlet.

Classifications

eCl@ss

eCl@ss 4.0	27141210
eCl@ss 4.1	27141210
eCl@ss 5.0	27149110
eCl@ss 5.1	27149110
eCl@ss 6.0	27261210
eCl@ss 7.0	27440208
eCl@ss 8.0	27440208
eCl@ss 9.0	27144792

ETIM

ETIM 2.0	EC000241
ETIM 3.0	EC002040
ETIM 4.0	EC002314
ETIM 5.0	EC002314

UNSPSC

UNSPSC 6.01	30212113
UNSPSC 7.0901	39121712
UNSPSC 11	39121712
UNSPSC 12.01	39121712

Protective covers - EV-T2SC - 1405217

Classifications

UNSPSC

UNSPSC 13.2	39121712
-------------	----------

Accessories

Accessories

Infrastructure socket outlet

Socket Outlet - EV-T2M3SE12-3AC32A-0,7M6,0E10 - 1405214



Infrastructure Socket Outlet for charging electric vehicles with alternating current (AC), compatible with Infrastructure Plugs, Type 2, IEC 62196-2, 32 A / 480 V (AC), 12 V Locking actuator, Single wires, Length: 0.7 m, Thread: M5, Screw connection of a hinged cover: Only rear mounting possible

Socket Outlet - EV-T2M3SE24-3AC32A-0,7M6,0E10 - 1405216



Infrastructure Socket Outlet for charging electric vehicles with alternating current (AC), compatible with Infrastructure Plugs, Type 2, IEC 62196-2, 32 A / 480 V (AC), 24 V Locking actuator, Single wires, Length: 0.7 m, Thread: M5, Screw connection of a hinged cover: Only rear mounting possible