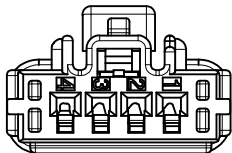
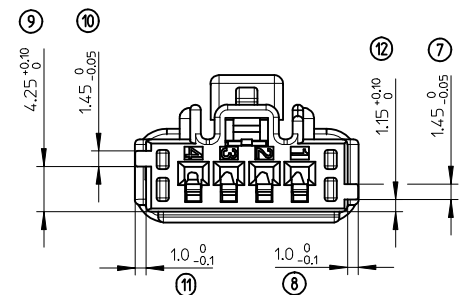


13	12	11	10	9	8	7	6	5	4	3	2	1
----	----	----	----	---	---	---	---	---	---	---	---	---

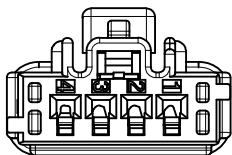
P/N°:	0988171040	COLOR:	WHITE
-------	------------	--------	-------



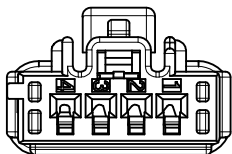
P/N°:	0988171041	COLOR:	BLACK
-------	------------	--------	-------



P/N°:	0988171045	COLOR:	GREEN
-------	------------	--------	-------

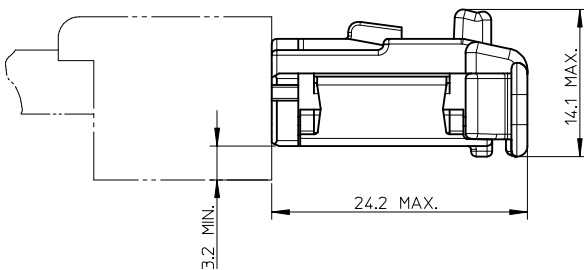
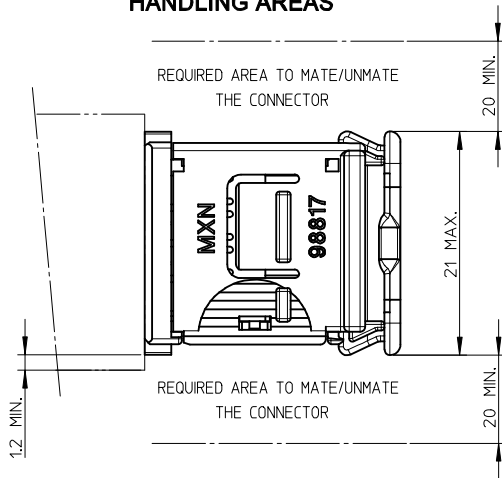


P/N°:	0988171048	COLOR:	GREY
-------	------------	--------	------



CODINGS

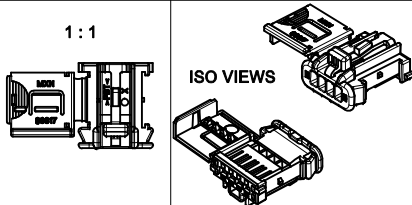
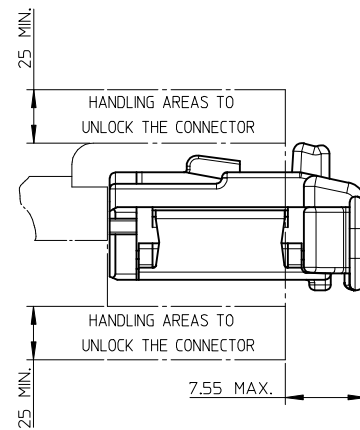
HANDLING AREAS



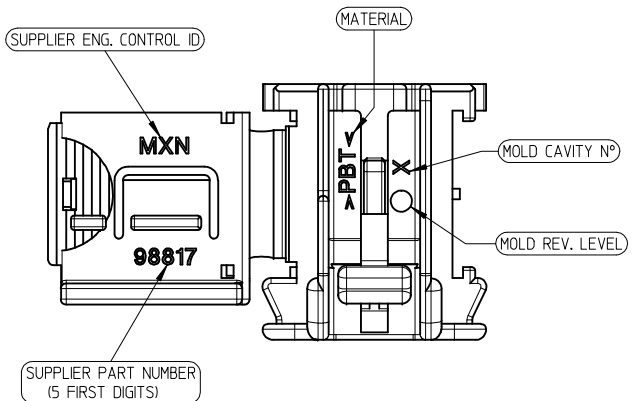
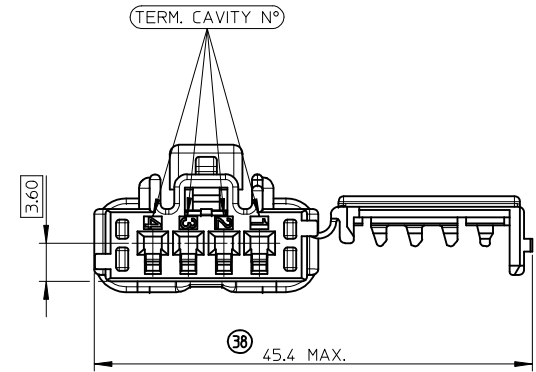
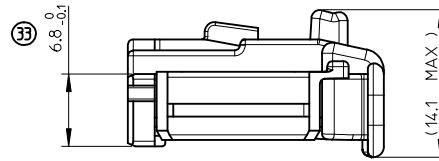
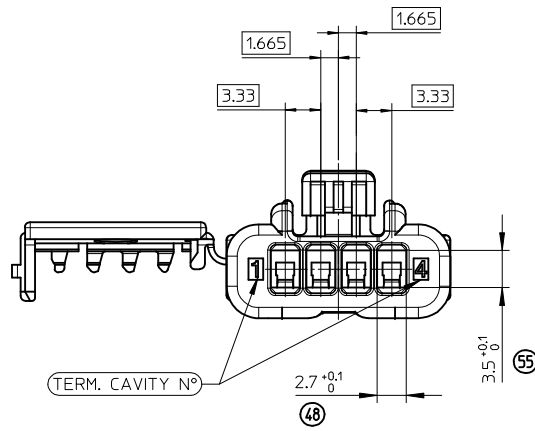
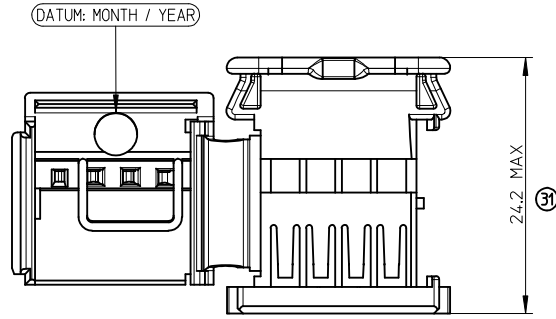
NOTES:

- 1 - THE USING CONDITIONS OF THE HINGE ARE SHOWN ONTO MOLEX SPECIFICATION N° AS-98821-001.
- 2 - FEMALE TERMINAL USED: SCC RCPT TERM. 1.5mm
 - RANGE 1 : 0988971109 (0.22mm² TO 2x0.22mm²)
 - RANGE 2 : 0988971119 (0.5mm² TO 1mm² INCLUDED)
 - RANGE 3 : 0988971129 (2x0.5mm² TO 2mm² INCLUDED)
- 3 - FEMALE CONNECTOR WILL MATE WITH MALE CONNECTOR P/N° 098822104x OR HEADER P/N° 098773101x.
- 4 - MATERIAL: (PBT)
- 5 - WEIGHT: 2.480 g

REQUIRED AREAS WHEN THE CONNECTOR IS MATED



NEW HINGE DESIGN EC NO: G2014-0015 DRW:GDESBRJRES 2013/08/20 CHKD:A.HERBELIN 2014/06/19 APPR:OPLESSIS 2014/07/03	QUALITY SYMBOL	GENERAL TOLERANCES (UNLESS SPECIFIED)		DIMENSION STYLE	SCALE	DESIGN UNITS	FIRST ANGLE PROJECTION
		mm	INCH	MM ONLY	3:1	METRIC	
REV	DESCRIPTION	4 PLACES	± 0.05	DRAWN BY	DATE	TITLE	
B		3 PLACES	± 0.1	LPOUCHAUD	2008/03/26	NSCC RCPT HSG WIRE 4CKT (1.5 UNSEALED)	
		2 PLACES	± 0.1	CHECKED BY	DATE	SD-98817-003	
		1 PLACE	± 0.1	YIGEL	2008/03/26	DOCUMENT NO.	
		0 PLACE	± 0.1	APPROVED BY	DATE	SHEET NO.	
				LSTICKEIR	2008/03/28	1 OF 2	
		ANGULAR ± 1°		MATERIAL NO.		SD-98817-003	
		DRAFT WHERE APPLICABLE MUST REMAIN WITHIN DIMENSIONS		SEE CHART			
				THIS DRAWING CONTAINS INFORMATION THAT IS PROPRIETARY TO MOLEX INCORPORATED AND SHOULD NOT BE USED WITHOUT WRITTEN PERMISSION			



NEW HINGE DESIGN EC NO: G2014-0015 DRAWN: GDESBRUERES 2013/08/20 CHKD: A.HERBELIN 2014/06/19 APPR: OPLESSIS 2014/07/03	QUALITY SYMBOLS 	GENERAL TOLERANCES (UNLESS SPECIFIED)		DIMENSION STYLE MM ONLY	SCALE 1:1	DESIGN UNITS METRIC	FIRST ANGLE PROJECTION	
		mm	INCH	DRAWN BY LPOUCHAUD	DATE 2008/03/26	TITLE NSCC RCPT HSG WIRE 4CKT (1.5 UNSEALED)		
		4 PLACES ± ---	± ---	CHECKED BY YIGEL	DATE 2008/03/26			
		3 PLACES ± ---	± ---	APPROVED BY LSTICKEIR	DATE 2008/03/28	DOCUMENT NO. SD-98817-003	SHEET NO. 2 OF 2	
2 PLACES ± 0.05	± ---	ANGULAR ± 1°		SEE SHEET 1/2				
1 PLACE ± 0.1	± ---	DRAFT WHERE APPLICABLE MUST REMAIN WITHIN DIMENSIONS		THIS DRAWING CONTAINS INFORMATION THAT IS PROPRIETARY TO MOLEX INCORPORATED AND SHOULD NOT BE USED WITHOUT WRITTEN PERMISSION				
0 PLACE ± 0.1	± ---							