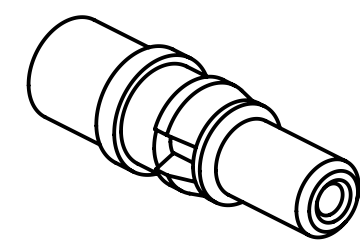
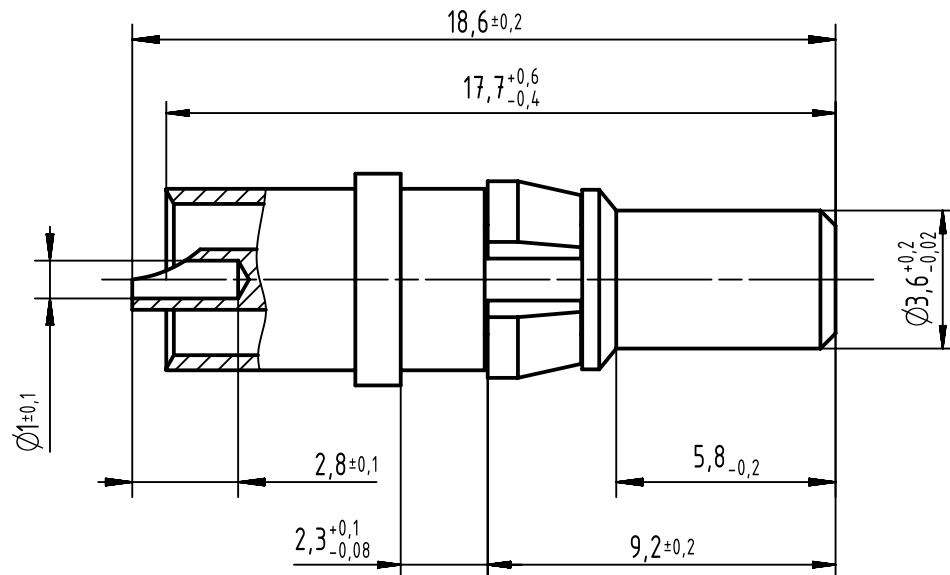


A


B

C

D



insulator white
contact area 1,3µ Au

	All rights reserved Department EC PD - DE	All Dimensions in mm Original Size DIN A4		Scale 5:1	Free size tol. complementary DIN 41626-1	Ref. Sub. TB 09 03 000 6240 34287 11.04.07			
		HARTING Electronics GmbH D-32339 Espelkamp	Created by ELLERMANN	Inspected by TADJE	Standardisation HOFFMANN	Date 2013-12-19	State Final Release	Doc-Key / ECM-Nr. 100072462/UGD/003/B 500000069291	
Title DIN Signal female contact power 2.8 kV str solder						Type TB	Number 09030006240	Rev. B	Page 1/1