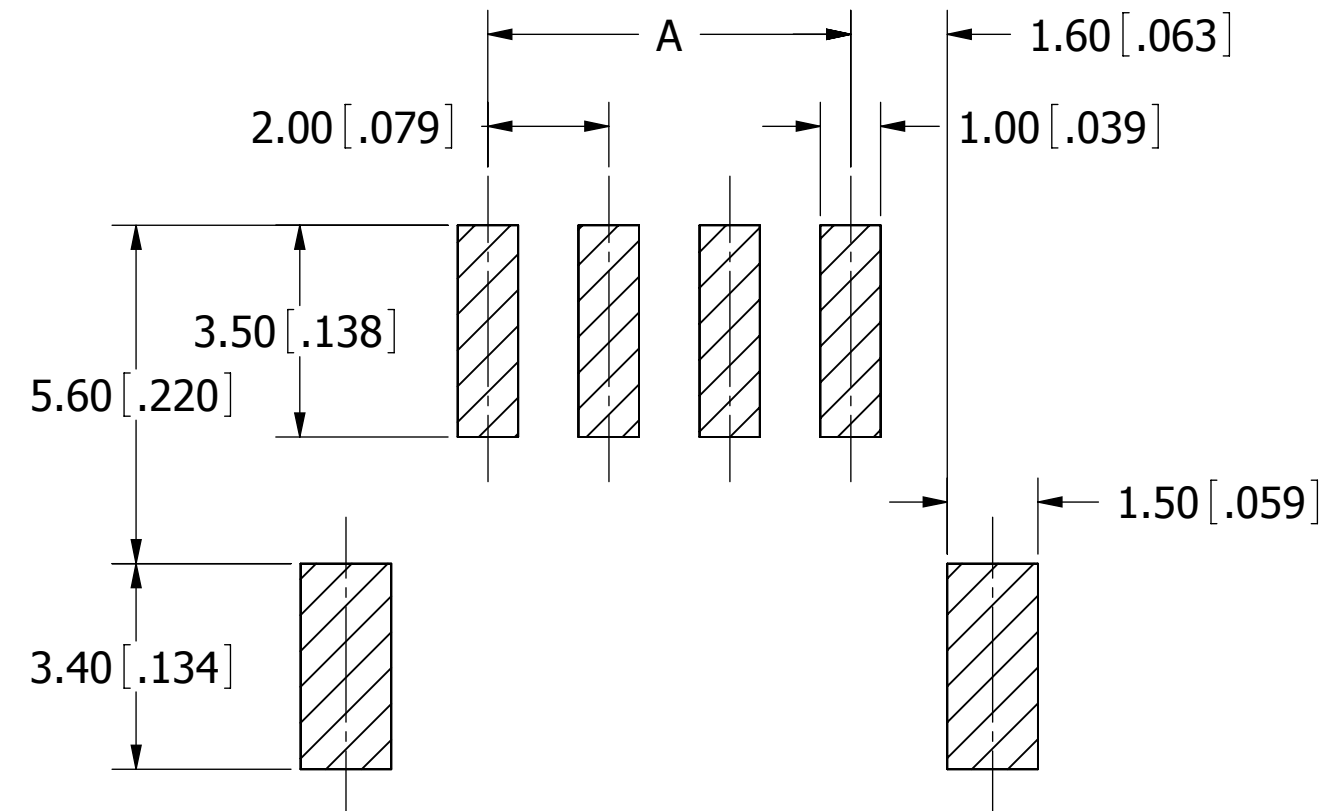
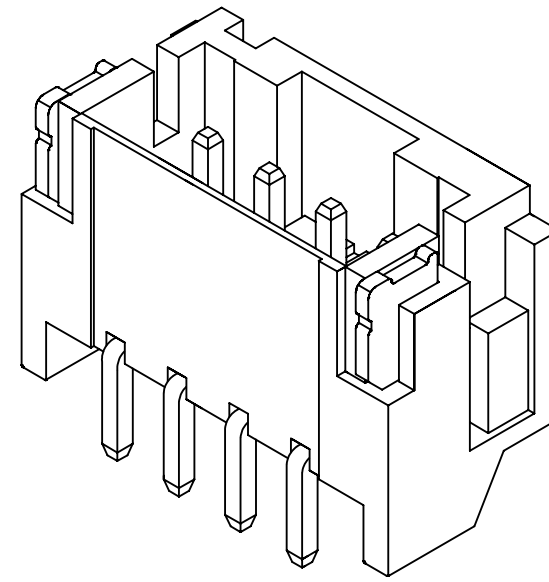
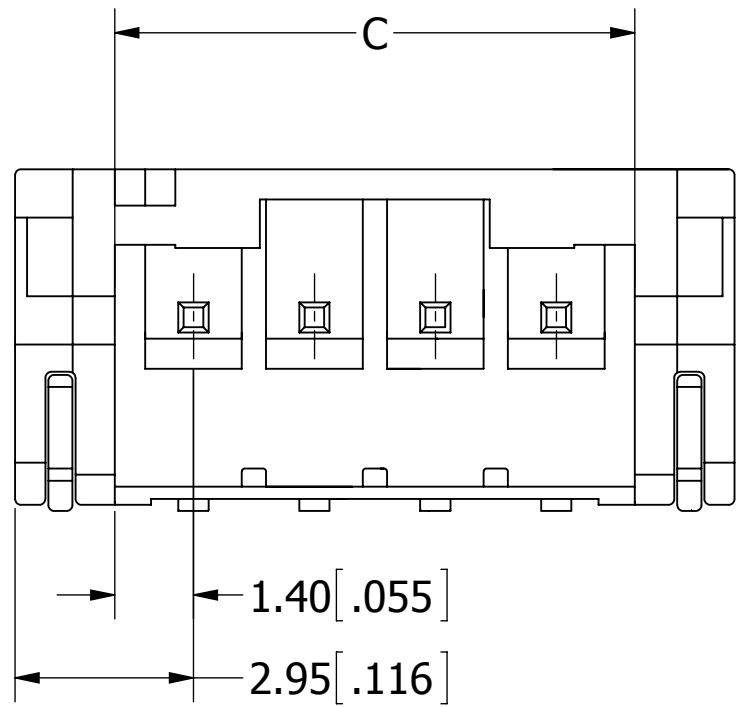


# PART NUMBER CODING

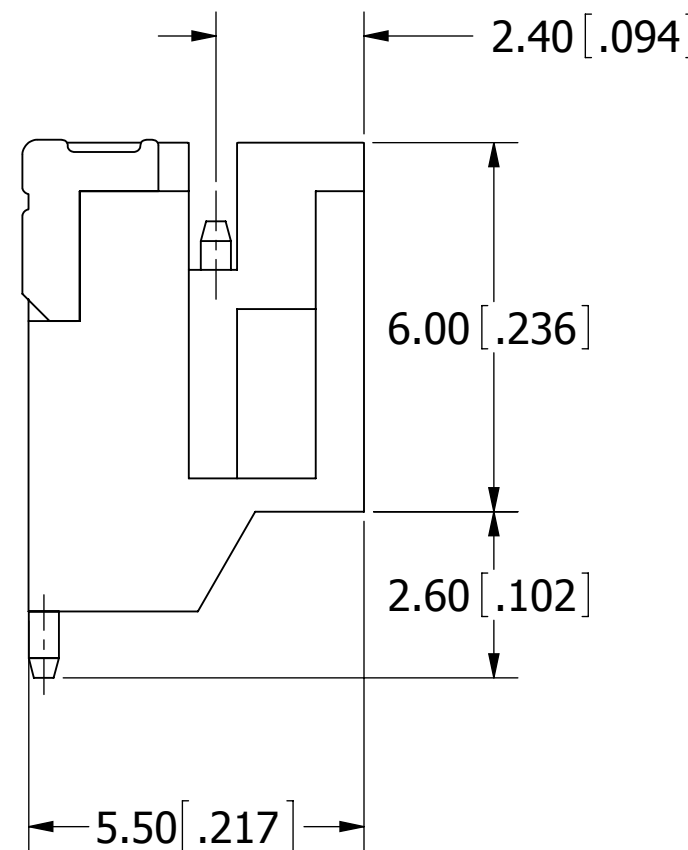
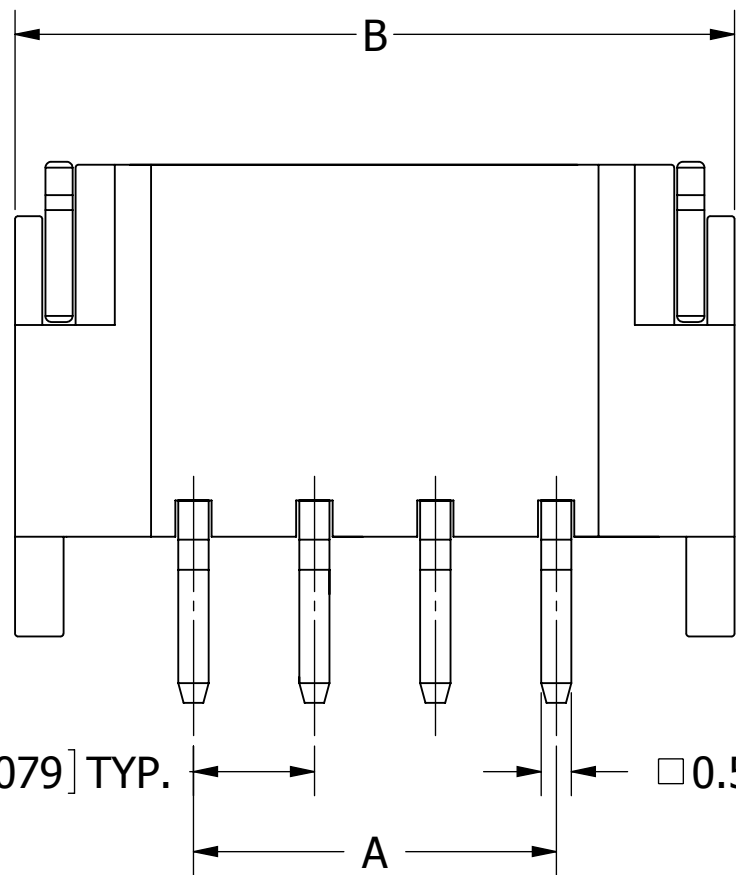
## SWR201-NRTN-S\_\_-HM-BG

**NUMBER OF POSITIONS**  
(CONTACTS PER ROW)

REVISIONS				
REV.	ECO. NO	DESCRIPTION	DATE	BY
A	2235	INITIAL RELEASE	05/25/2011	LH
B	2643	UPDATE INSULATOR MATERIAL 'PA 6T' WAS 'PA 46'	09/05/2012	LH
C	3239	UPDATE 'B' DIM. AND RIGHT VIEW OF 2.40mm (WAS 2.35mm)	06/12/2015	LH



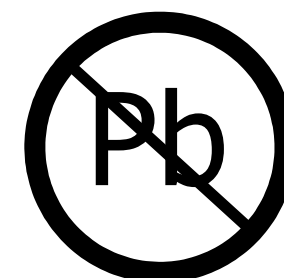
### RECOMMENDED PCB LAYOUT



Part Number	Positions/ Contacts	A		B		C	
		MM	INCH	MM	INCH	MM	INCH
SWR201-NRTN-S02-HM-BG	02/02	2.00	0.079	7.90	0.311	4.80	0.189
SWR201-NRTN-S03-HM-BG	03/03	4.00	0.157	9.90	0.390	6.80	0.268
SWR201-NRTN-S04-HM-BG	04/04	6.00	0.236	11.90	0.469	8.80	0.346
SWR201-NRTN-S05-HM-BG	05/05	8.00	0.315	13.90	0.547	10.80	0.425
SWR201-NRTN-S06-HM-BG	06/06	10.00	0.394	15.90	0.626	12.80	0.504
SWR201-NRTN-S07-HM-BG	07/07	12.00	0.472	17.90	0.705	14.80	0.583
SWR201-NRTN-S08-HM-BG	08/08	14.00	0.551	19.90	0.783	16.80	0.661
SWR201-NRTN-S09-HM-BG	09/09	16.00	0.630	21.90	0.862	18.80	0.740
SWR201-NRTN-S10-HM-BG	10/10	18.00	0.709	23.90	0.941	20.80	0.819
SWR201-NRTN-S11-HM-BG	11/11	20.00	0.787	25.90	1.020	22.80	0.898
SWR201-NRTN-S12-HM-BG	12/12	22.00	0.866	27.90	1.098	24.80	0.976
SWR201-NRTN-S13-HM-BG	13/13	24.00	0.945	29.90	1.177	26.80	1.055
SWR201-NRTN-S14-HM-BG	14/14	26.00	1.024	31.90	1.256	28.80	1.134
SWR201-NRTN-S15-HM-BG	15/15	28.00	1.102	33.90	1.335	30.80	1.213
SWR201-NRTN-S16-HM-BG	16/16	30.00	1.181	35.90	1.413	32.80	1.291

### NOTES:

- INSULATOR MATERIAL: PA 6T, UL94V-0, COLOR: BEIGE
- CONTACT MATERIAL: BRASS
- CONTACT PLATING: .000020" MIN. NICKEL UNDERPLATE, PURE TIN, BRIGHT OVERALL
- CURRENT RATING: 1 AMP PER CONTACT
- VOLTAGE RATING: 125V AC/DC
- INSULATOR RESISTANCE: 1000 MEGOHMS MIN
- CONTACT RESISTANCE: 20 MILLIOHMS MAX
- DIELECTRIC WITHSTANDING VOLTAGE: 800V AC
- OPERATING TEMPERATURE: -25° C TO +85° C
- MATES WITH SWH201 SERIES SINGLE ROW HOUSING



RoHS COMPLIANT

UNLESS OTHERWISE SPECIFIED:  
DIMENSIONS ARE IN MM(INCHES)

TOLERANCES:

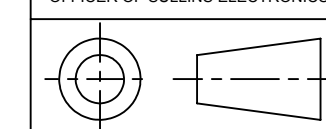
ANGULAR:

DECIMALS:  
X= ± 0.3 [.01]  
.XX= ± 0.30 [.012]

DRAWN DATE NAME

05/25/2011 LH

THE INFORMATION HEREIN CONTAINS PROPRIETARY INFORMATION OF SULLINS ELECTRONICS AND IS NOT TO BE REPRODUCED, USED OR DISCLOSED TO OTHERS FOR ANY PURPOSE EXCEPT AS SPECIFICALLY AUTHORIZED IN WRITING BY AN OFFICER OF SULLINS ELECTRONICS.



TITLE WAFER 2.0mm[.079"] CC, 1 ROW, HM

PART NUMBER SWR201-NRTN-S\_\_-HM-BG

SIZE C CAGE CODE 54453 DWG. NO. 11626 REV C

SCALE: 8:1 SHEET 1 OF 1