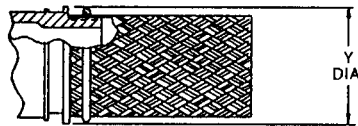
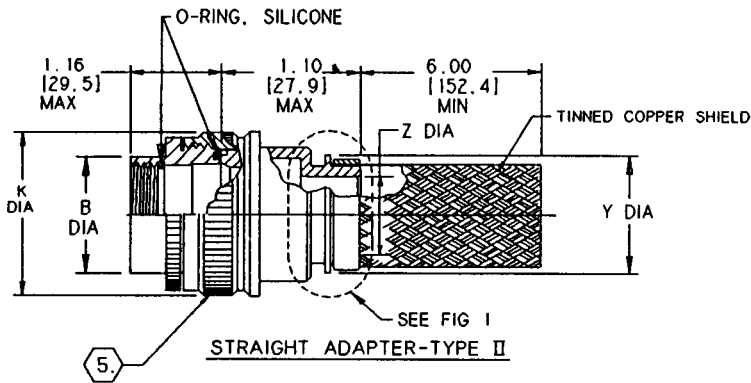
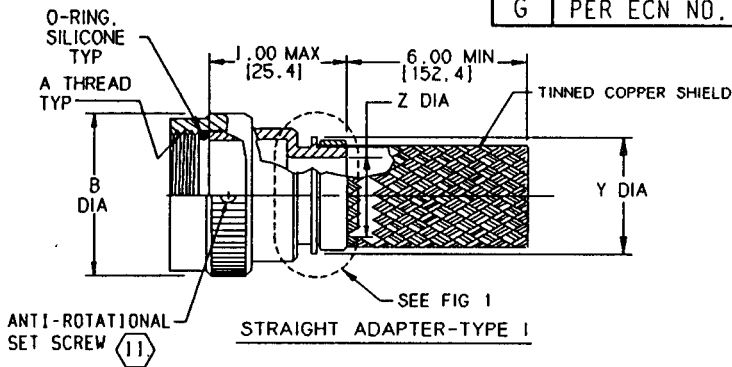


REVISIONS			
LTR	DESCRIPTION	DATE	APPROVED
G	PER ECN NO. 17284	03-23-92	G.L.D.



TINEL-LOCK TERMINATION

FIG 1 (9)

NOTES:

- ALL DIMENSIONS ARE IN INCHES (MILLIMETERS).
- THIS PRODUCT IS DESIGNED TO TERMINATE A BRAIDED CABLE SHIELD AND A HEAT SHRINKABLE LIPPED BOOT TO A CONNECTOR.
- TEMPERATURE RANGE FOR ALUMINUM ALLOY -65°C TO +150°C.
- ADAPTER TO BE PERMANENTLY MARKED WITH CODE IDENT. NO. AND P/N. E.G.: 06090-208M012-19B06

- (5) FOR LARGER ENTRY SIZES, A 2 PIECE ADAPTER (TYPE II) IS SUPPLIED.
6. CONSULT FACTORY FOR OPTIONAL ENTRIES, MATERIALS, FINISHES, AND MODIFICATIONS.
7. INTERNAL EDGES SHALL BE ROUNDED.
8. SEE CH00-0250-004 FOR ORDERING INFORMATION AND MODIFICATIONS.

- (9) BRAID TERMINATION RING MAY BE SUPPLIED AS TINEL-LOCK SHAPE MEMORY RING AT MANUFACTURER'S OPTION.
- (10) ADAPTER MATES TO: MIL-C-26500, CLASS E STAINLESS STEEL CONNECTORS.
- (11) ANTI-ROTATIONAL SET SCREW. 3 THREADED HOLES 120°±5°. SINGLE MATING SET SCREW SUPPLIED. NOT REQUIRED FOR TYPE II ADAPTERS.

SPECIFICATION CONTROL DRAWING

BASE PART NUMBER	SHELL SIZE (10)	MAX ENTRY SIZE TYPE 1 (5)	A THREAD CLASS 2B	B DIA MAX
208M008	8	05	.434-36 UNS	.79 [20.1]
208M010	10	06	.563-36 UNS	.91 [23.1]
208M012	12	09	.733-36 UNS	1.10 [27.9]
208M014	14	10	.803-36 UNS	1.16 [29.5]
208M016	16	12	.930-36 UNS	1.29 [32.8]
208M018	18	13	1.036-36 UNS	1.41 [35.8]
208M020	20	15	1.161-36 UNS	1.54 [39.1]
208M022	22	16	1.286-36 UNS	1.66 [42.2]
208M024	24	18	1.411-36 UNS	1.79 [45.5]
208M028	28	20	1.661-36 UNS	1.97 [50.0]

ENTRY SIZE	K MAX	Z ±.020 [±0.51]	Y DIA MIN.	ENTRY SIZE	K MAX	Z ±.020 [±0.51]	Y DIA MIN.
03	NA	.187 [4.75]	.393 [9.98]	13	1.41 [35.8]	.812 [20.62]	.953 [24.21]
04	NA	.250 [6.35]	.456 [11.58]	14	1.41 [35.8]	.875 [22.23]	1.081 [27.46]
05	NA	.312 [7.92]	.515 [13.08]	15	1.60 [40.6]	.938 [23.83]	1.143 [29.03]
06	.80 [20.3]	.375 [9.53]	.581 [14.76]	16	1.60 [40.6]	1.000 [25.40]	1.205 [30.61]
07	.92 [23.4]	.438 [11.13]	.643 [16.33]	18	1.66 [42.2]	1.125 [28.58]	1.381 [35.08]
08	.92 [23.4]	.500 [12.70]	.705 [17.91]	20	2.04 [51.8]	1.250 [31.75]	1.506 [38.25]
09	1.18 [30.0]	.562 [14.27]	.705 [17.91]	22	2.23 [56.6]	1.375 [34.93]	1.631 [41.43]
10	1.18 [30.0]	.625 [15.88]	.831 [21.11]	24	2.23 [56.6]	1.500 [38.10]	1.756 [44.60]
11	1.18 [30.0]	.688 [17.48]	.893 [22.68]	28	2.48 [63.0]	1.750 [44.45]	2.004 [50.90]
12	1.35 [34.3]	.750 [19.05]	.953 [24.21]				

If this document is printed it becomes uncontrolled. Check with the web for latest revision.

Raychem

RAYCHEM CORPORATION
300 CONSTITUTION DRIVE
MENLO PARK, CALIFORNIA 94025

TITLE

ADAPTER, SHIELD, STRAIGHT
CODE 52

DRAWN BY: R. RAMIREZ

DATE: 03-23-92

SIZE

CODE IDENT. NO.

DWG. NO.

REV

APPRD BY: G. DIBBLE

DATE: 03-23-92

A

06090

208MOXX

G

DO NOT SCALE DRAWING

SHEET 1 OF 1