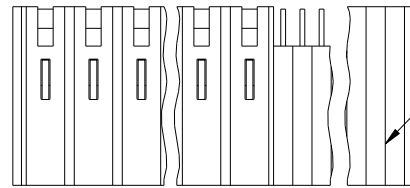
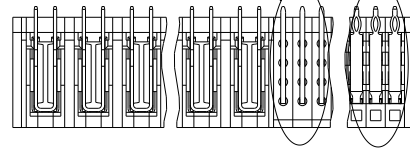


PRODUCT NUMBER

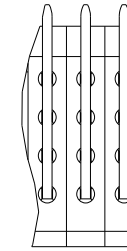
51726-ABBCCC00E0_..

SEE NOTE 1

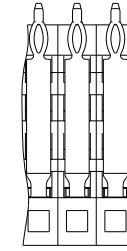
SEE DETAIL A SEE DETAIL B



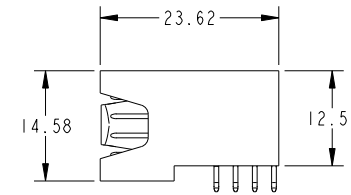
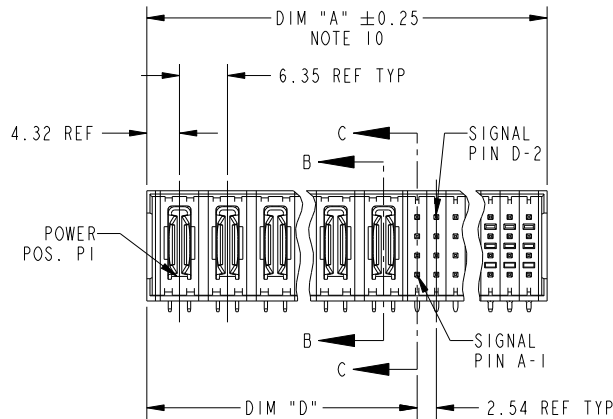
SEE NOTE 9



DETAIL A SCALE 2:1 FOR SOLDER TO BOARD ONLY



DETAIL B SCALE 2:1 FOR PRESS FIT ONLY



Copyright FCI.

spec ref	*	dr	Jerome Chen	2008/09/11	projection 	MM ←→	size	A4	scale	1:1		
tolerance std	ASME Y14.5	eng	Ruan MT	2015/09/30			ecn no	ELX-DG-21593-1				
TOLERANCES UNLESS OTHERWISE SPECIFIED		chr	Fancy Zhang	2015/09/30			product family	PwrBlade	rel level	Released		
surface	✓	appr	Pei-Ming Zheng	2015/09/30	R/A HEADER W/O GUIDE PIN		dwg no	51726		rev	N	
ASME Y14.5	linear	0.X	±0.5	www.fci.com	POWER / SIGNAL		Product - Customer Drw		sheet 1 of 3			
		0.XX	±0.25		cat. no.							
		0.XXX	±0.100									
	angular	0°	±2°									

PRODUCT NUMBER	DIM	LENGTH FORMULAS (SEE NOTE 10)
51726-ABBCC00E0--	DIM "A"	$6.35 \times BB + 2.54 \times (CCC/4) + 2.29$ (NOTE 10)
SEE NOTE 1	DIM "D"	$6.35 \times BB + 2.41$
	DIM "F"	$6.35 \times BB + 2.54 \times (CCC/4) + 3.05$
	DIM "G"	$6.35 \times BB - 0.64$

CONNECTOR NOTES

- ①. PRODUCT NUMBER CODE:
 51726 - A BB CCC 00 E 0 LF
- NO THIS SUFFIX: 100 μ m / 2.54 μ m SnPb ON PCB INTERFACE
 - ADD THIS SUFFIX: 78 μ m / 2.00 μ m Sn ON PCB INTERFACE
 - ALWAYS '0' (ZERO) (NOTE 8)
 - TAIL LENGTH (NOTE 7)
 - ALWAYS '00' (ZERO, ZERO) (NOTE 6)
 - NUMBER OF SIGNAL CONTACTS (NOTE 5)
 - NUMBER OF LEFT END POWER CONTACTS (NOTE 4)
 - PLATING (NOTE 3)
 - BASE NUMBER

- ②. HOUSING MATERIAL: GLASS FILLED V-O HIGH TEMP THERMO PLASTIC.
 SIGNAL CONTACT MATERIAL: COPPER ALLOY
 POWER CONTACT MATERIAL: COPPER ALLOY
- ③. PLATING OPTION:
 1 = SEE PRINT 10064183 FOR PLATING SPEC OF 51726-1BBCC00E0; 51726-1BBCC00E0LF
- ④. LEFT END POWER CONTACTS, 01 TO 20 AVAILABLE.
 MAXIMUM OF 20 POWER CONTACTS PER CONNECTER
- ⑤. SIGNAL CONTACTS, 004 TO 148 AVAILABLE.
- ⑥. THIS PART IS NOT AVAILABLE WITH RIGHT SIDE POWER CONTACTS.
- ⑦. TAIL LENGTH:
 A = 3.43 SOLDER TO BOARD
 B = 4.19 SOLDER TO BOARD
 C = 3.43 PRESS FIT
 D = 2.34 SOLDER TO BOARD

- ⑧. BOARD RETENTION IS NOT AVAILABLE WITH GUIDELESS ENDS.
- ⑨. MANUFACTURE'S NAME, P/N, AND DATE CODE TO APPEAR ON THIS SURFACE.
- ⑩. THE MAXIMUM OVERALL LENGTH (DIM A) OF A PART IS 203.2
11. PRODUCT SPECIFICATION GS-12-149
 APPLICATION SPECIFICATION BUS-20-067
12. REFERENCE 51697 FOR SELECT LOAD/FMLB WORKSHEET
- PCB NOTES:
13. ALL DIMENSIONS ARE BASIC UNLESS OTHERWISE SPECIFIED.
- ⑭. ALL THROUGH HOLES ARE LOCATED WITH A TRUE POSITION OF 0.10
15. ALL HOLE DIAMETERS ARE FINISHED HOLE SIZE.
- ⑮. $\varnothing 1.151 \pm 0.025$ DRILLED HOLES PLATED WITH 0.008 MIN SnPb or Sn OVER 0.03 TO 0.08 Cu PLATING TO ACHIEVE A 1.02 ± 0.07 HOLE.
- ⑰. A Δ SYMBOL WILL BE NEXT TO ANY DIMENSION, VIEW, OR NOTE WHICH HAS BEEN MODIFIED WITH THE CURRENT DRAWING REVISION.
- ⑱. CONNECTOR KEEP OUT ZONE



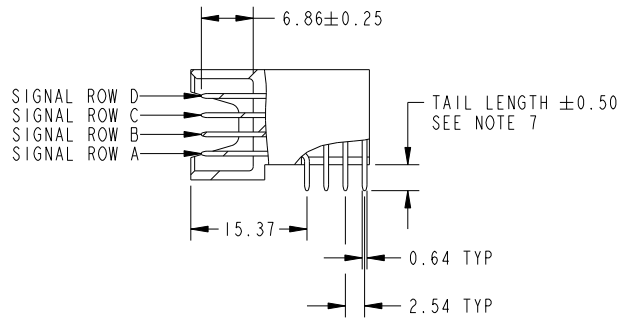
Copyright FCI.

dr	Jerome Chen	2008/09/11	projection 	MM 	size	A4	scale	1:1
eng	Ruan MT	2015/09/30			ecn no	ELX-DG-21593-1		
chr	Fancy Zhang	2015/09/30			product family	PwrBlade	rel level	Released
appr	Pei-Ming Zheng	2015/09/30	product family		PwrBlade	rel level	Released	
		title	R/A HEADER W/O GUIDE PIN			dwg no	51726	
www.fci.com		cat. no.	Product - Customer Drw			rev	N	
						sheet	2 of 3	

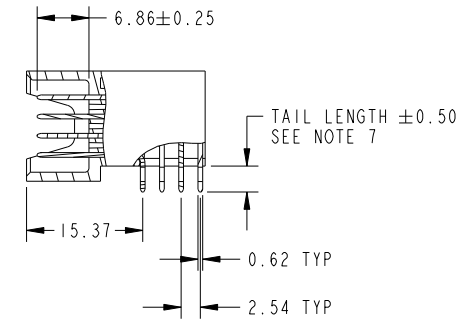
PRODUCT NUMBER

51726-ABBCC00E0_..

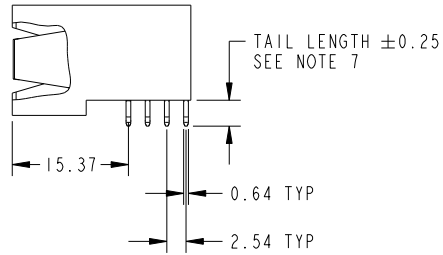
SEE NOTE 1



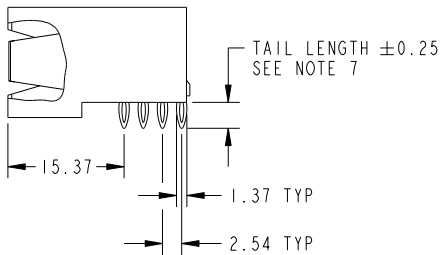
⚠ BROKEN-OUT SECTION C-C FOR SOLDER TO BOARD ONLY



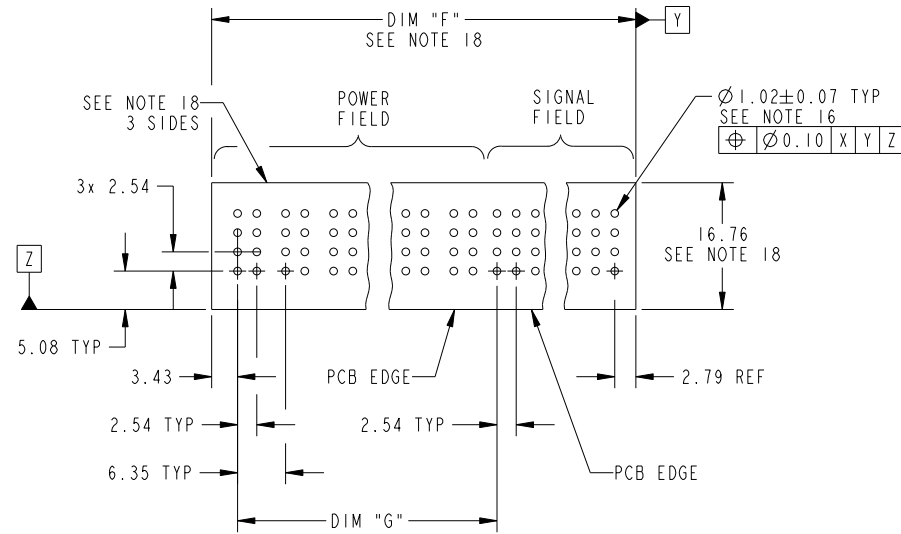
⚠ BROKEN-OUT SECTION C-C FOR PRESS FIT ONLY



⚠ BROKEN-OUT SECTION B-B FOR SOLDER TO BOARD ONLY



⚠ BROKEN-OUT SECTION B-B FOR PRESS FIT ONLY



RECOMMENDED PCB LAYOUT

dr	Jerome Chen	2008/09/11	projection 	MM ←→	size	A4	scale	1:1	
eng	Ruan MT	2015/09/30			ec n no	ELX-DG-21593-1			
chr	Fancy Zhang	2015/09/30			product family	PwrBlade	rel level	Released	
appr	Pei-Ming Zheng	2015/09/30			dwg no	51726		rev	N
www.fci.com		cat. no.	Product - Customer Drw			sheet 3 of 3			



Copyright FCI.