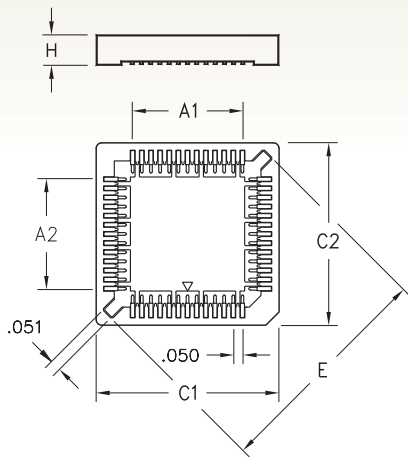
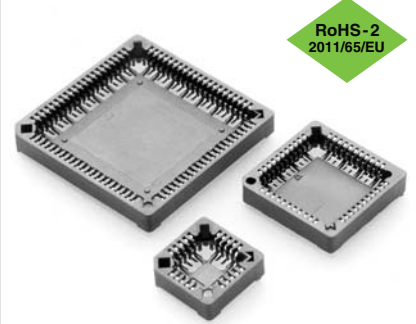


# COMPACT PLCC SOCKETS

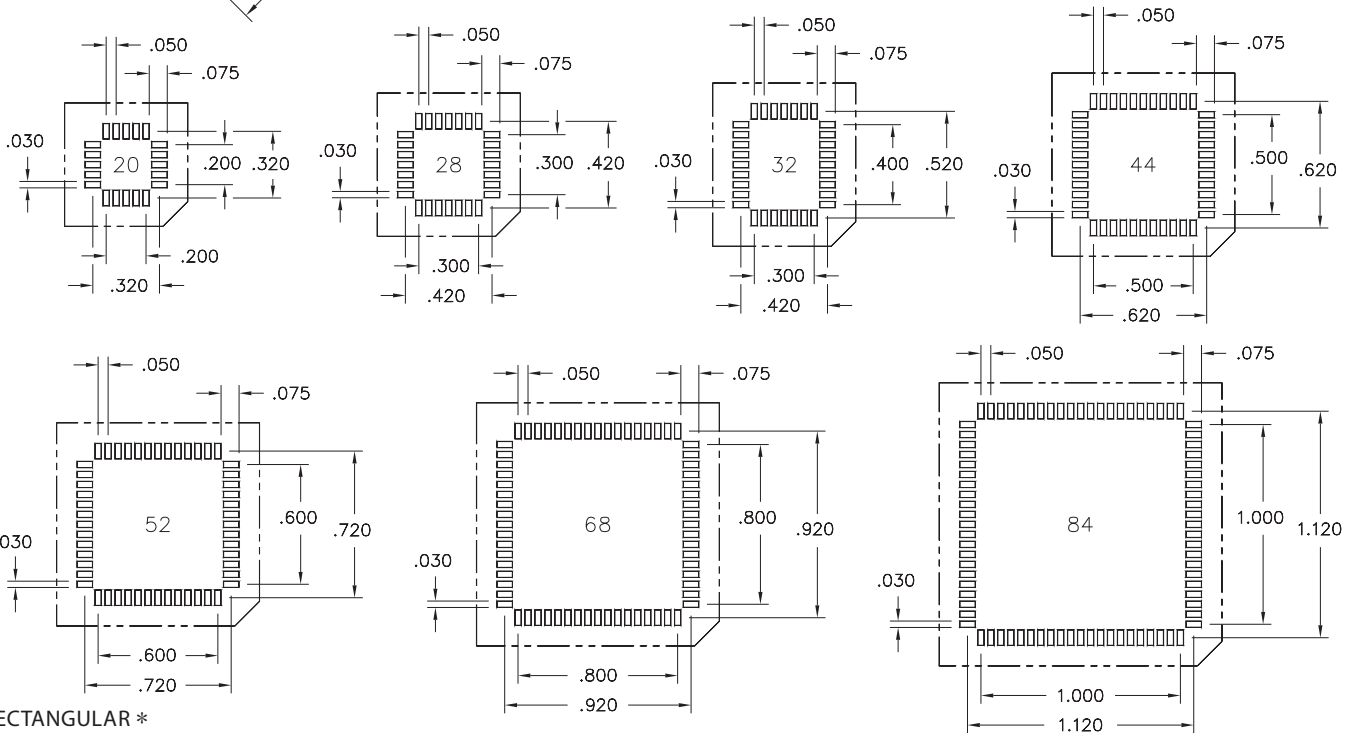
## SERIES 540 • SURFACE MOUNT



- Note: Not end stackable
- Designed for JEDEC type devices
- Open frame design in solder area improves results of IR soldering and facilitates visual inspection of solder pads
- Contacts are plated with 150  $\mu$ " tin
- The insulator is molded PPS (Ryton R-4)
- For Electrical, Mechanical and Environmental Data, see page 141 for details



### PCB LAYOUT FOR SURFACE MOUNT



RECTANGULAR \*

Number of Contacts	Ordering Information	- A1 -	- A2 -	- C1 -	- C2 -	- E -	- H -	Qty. per Tube	Tape Width mm	Qty. per Reel
20	540-44-020-17-40000X	0.200	0.200	0.585	0.585	0.657	0.180	34	24	490
28	540-44-028-17-40000X	0.300	0.300	0.685	0.685	0.799	0.180	29	32	400
32 *	540-44-032-17-40000X *	0.300	0.400	0.670	0.770	0.885	0.148	26	32	400
44	540-44-044-17-40000X	0.500	0.500	0.885	0.885	1.082	0.180	22	44	250
52	540-44-052-17-40000X	0.600	0.600	1.000	1.000	1.224	0.180	20	44	250
68	540-44-068-17-40000X	0.800	0.800	1.202	1.202	1.507	0.180	16	44	220
84	540-44-084-17-40000X	1.000	1.000	1.400	1.400	1.791	0.180	14	56	200

Packaging Codes: X = 0 (Tubes)  
X = 4 (Tape & Reel)

