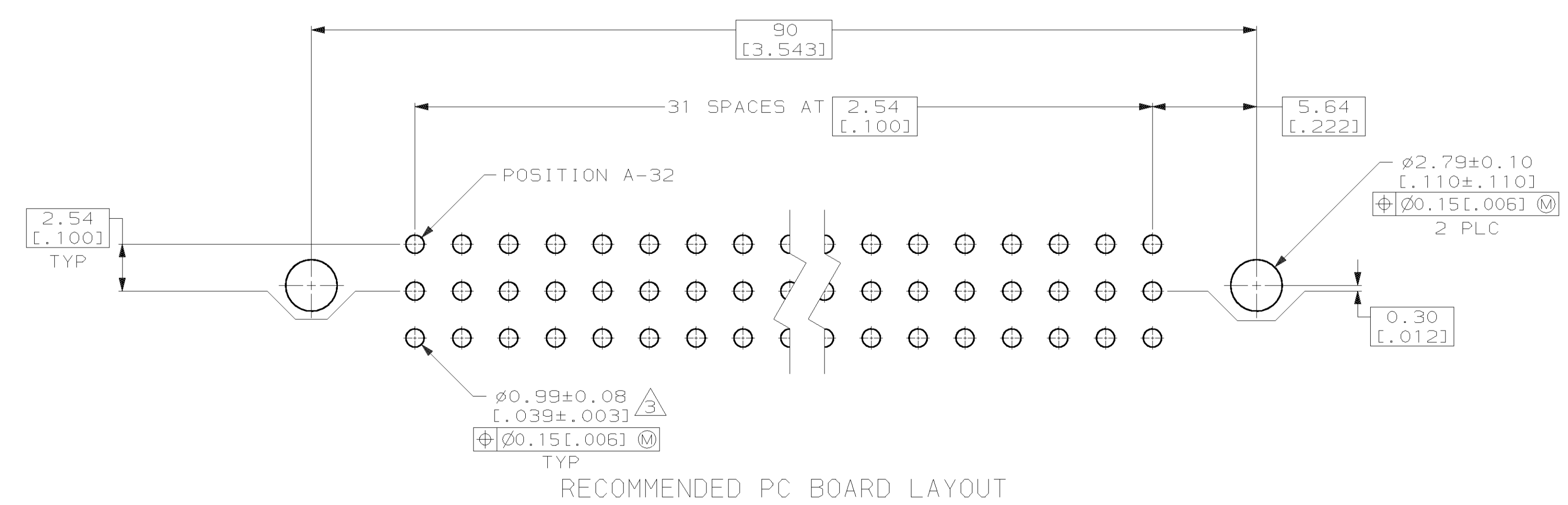
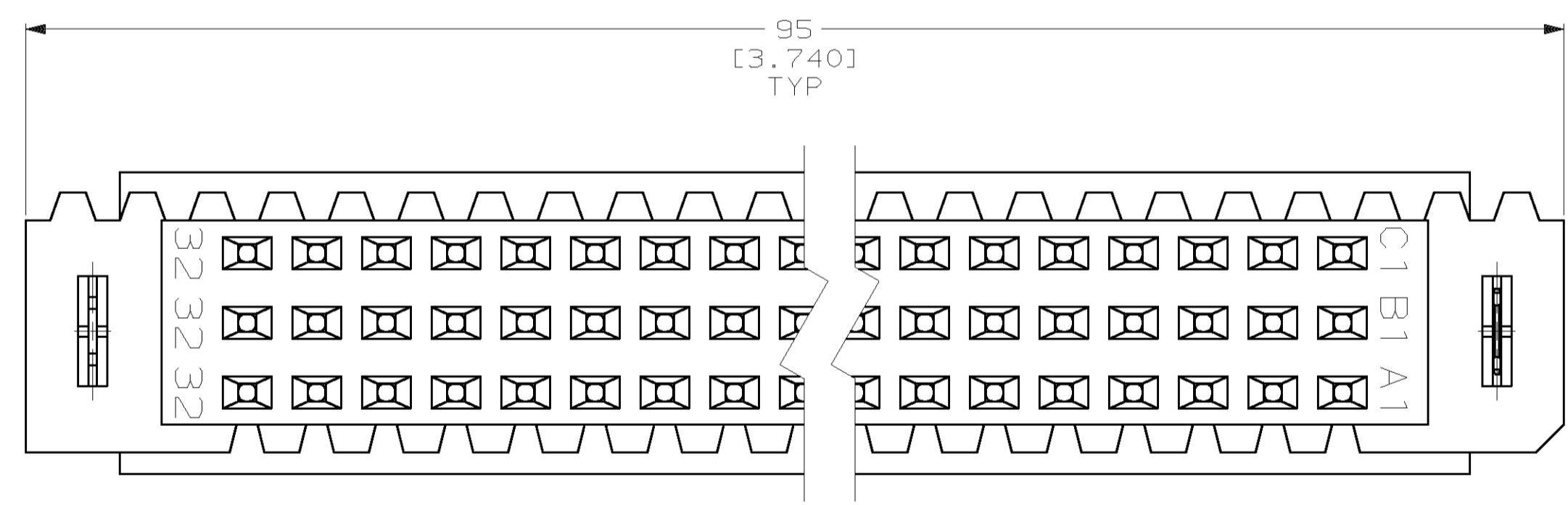
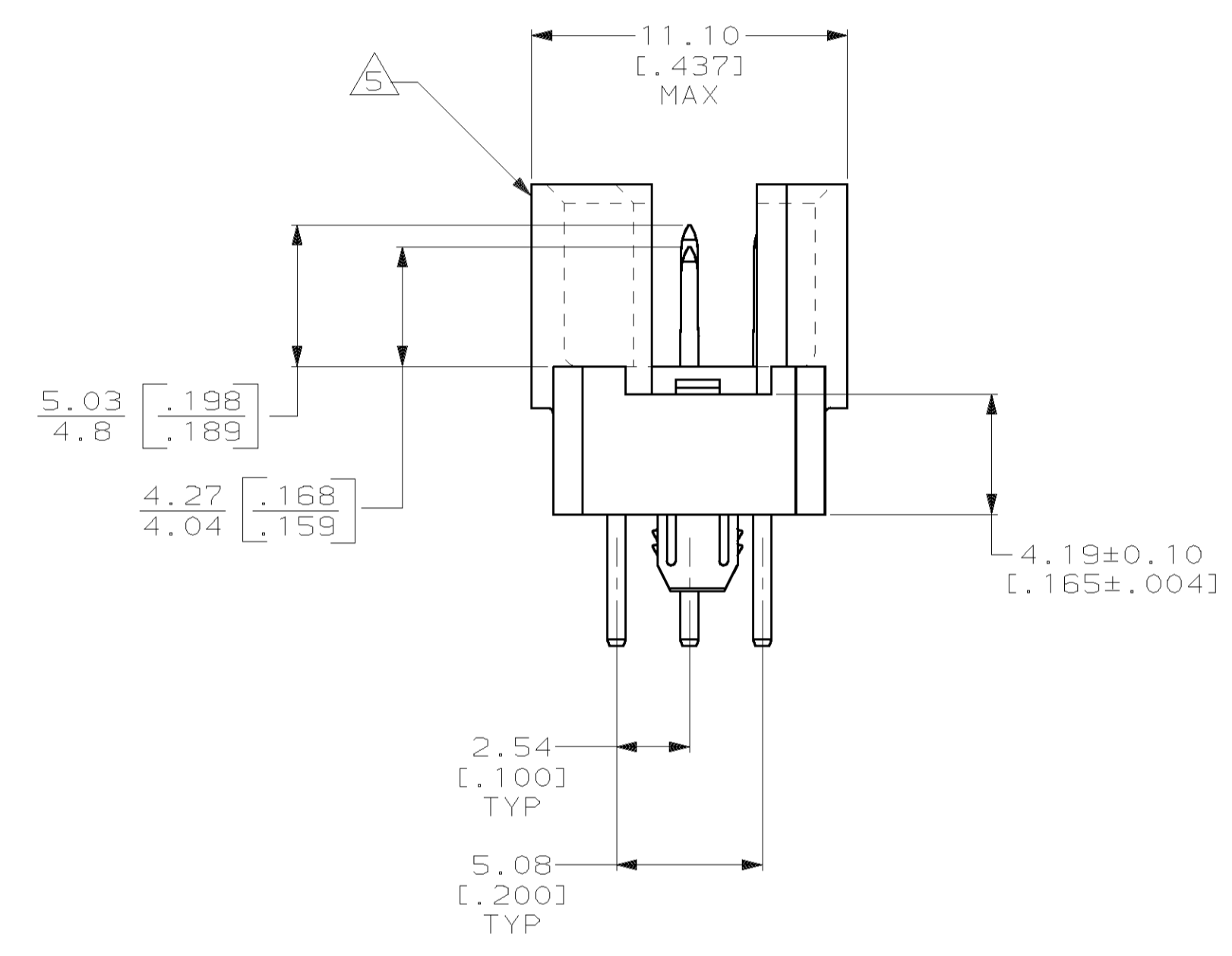
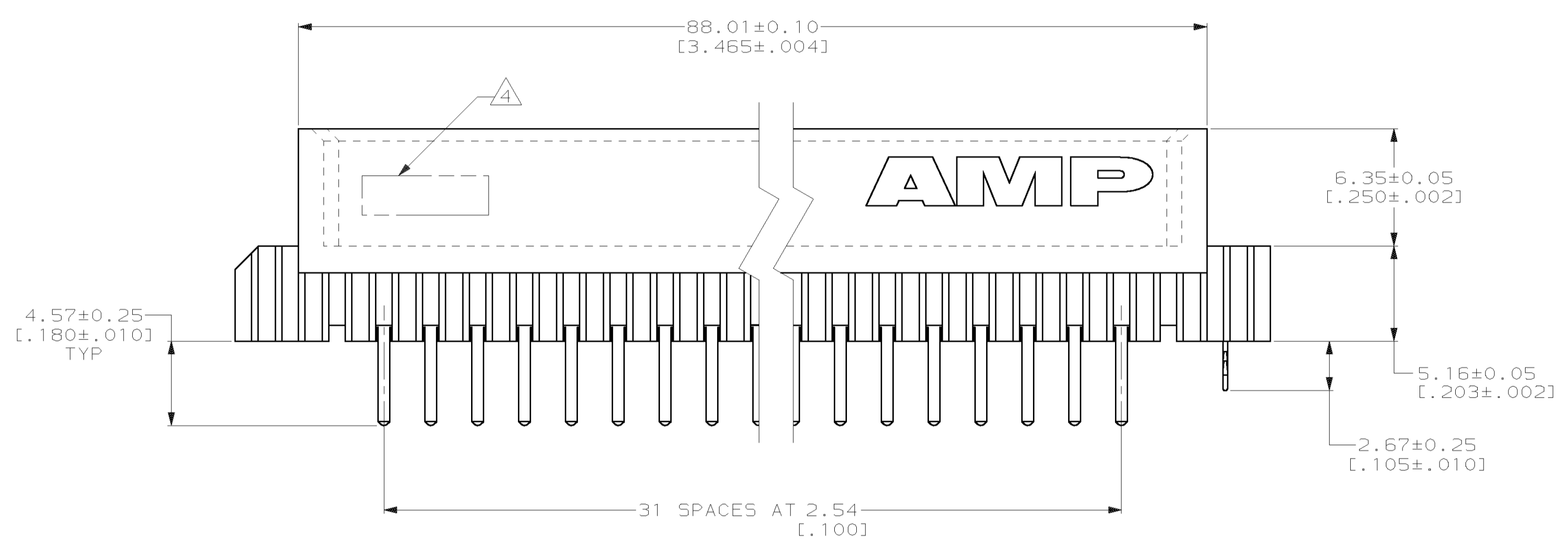


- ① HOUSING: GLASS-FILLED POLYESTER, GRAY.  
POST: BRASS.  
BOARDLOCK: BERYLLIUM COPPPER.
- ② POST: DIN 41612 CLASS 2 IN CONTACT AREA, TIN-LEAD PLATE ON POSTS.  
BOARDLOCK: 3.81µm[.000150] MIN TIN-LEAD ALL OVER 1.27µm[.000050] MIN NICKEL.
- ③ RECOMMENDED HOLE SIZE FOR MANUAL APPLICATION OF CONNECTOR ONTO PC BOARD.
- ④ [PART NUMBER, DATE CODE] MARKED THIS APPROXIMATE AREA.
- ⑤ MARKING ON THIS SIDE.



1, 32	2-31	C	32	148537-1
1, 32	2-31	B	32	
1, 32	2-31	A	32	
POSITIONS LOADED WITH 4.93[.194] CONTACTS	POSITIONS LOADED WITH 4.16[.164] CONTACTS	ROWS	NO OF LOADED POSITION	PART NUMBER

THIS DRAWING IS A CONTROLLED DOCUMENT.

DIMENSIONS: mm (INCHES)	TOLERANCES UNLESS OTHERWISE SPECIFIED:	DWN B. CARBO 08 JUN 99	AMP Incorporated Harrisburg, PA 17105-3608
0 PLC ±	1 PLC ±	CHK C. RICHARD 08 JUN 99	NAME: PIN ASSEMBLY, EUROCARD, TYPE "R" WITH MFBL CONTACTS AND BOARDLOCK
2 PLC ±0.13 (.005)	3 PLC ±	APVD C. RICHARD 08 JUN 99	
4 PLC ±	ANGLES ±	PRODUCT SPEC	APPLICATION SPEC
MATERIAL	FINISH	WEIGHT	RESTRICTED TO
		A1 00779	SCALE 5:1 SHEET 1 OF 1 REV 0

CUSTOMER DRAWING