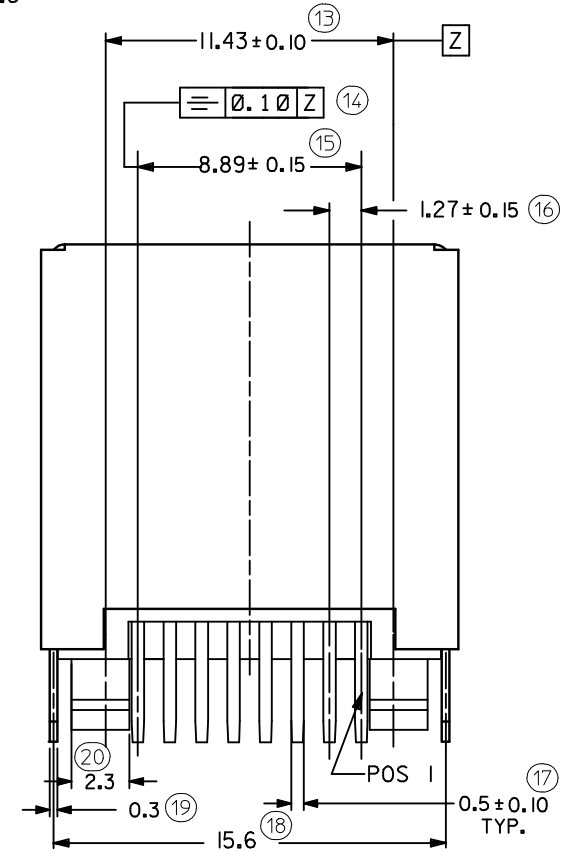
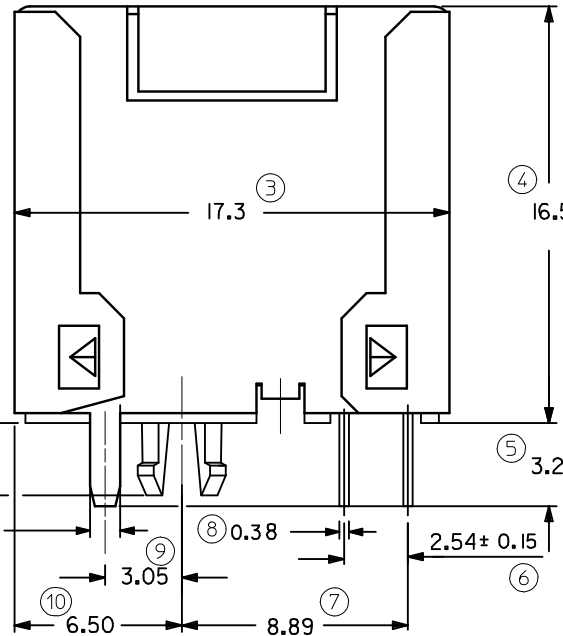
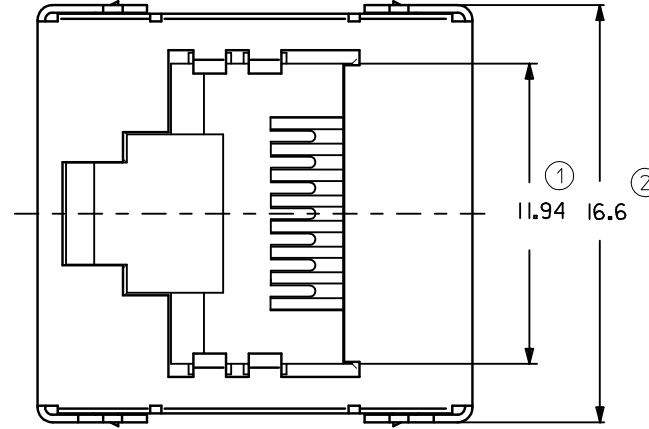
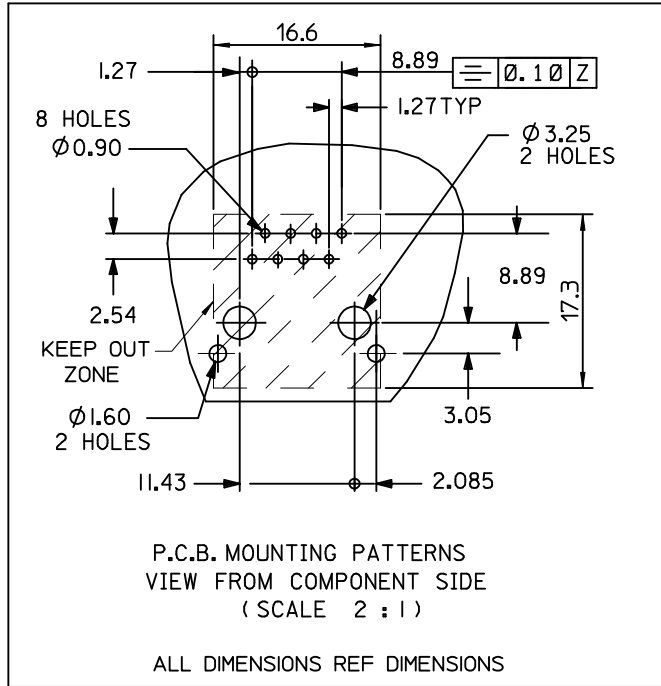


TECHNICAL SPECIFICATIONS:

1- MATERIAL: HOUSING: LCP G.F. UL94V0 COLOR : BLACK
 TERMINAL : PHOSPHOR BRONZE PLATED WITH
 BASE FINISH: NICKEL
 CONTACT SURFACE FINISH:
 GOLD
 OR
 GOLD FLASH OVER PALLADIUM NICKEL.
 EXCEEDS PRODUCT REQUIREMENTS BASED ON PS-85508-001
 SHIELD : BRASS PLATED WITH 0.0020 MIN TIN

PART NUMBER	TOOLED	PCB THICKNESS
85508-5001	YES	1.57



NOTES :

- 1- JACK FOR MATING WITH F.C.C. 68 PLUGS 95043 MOLEX SERIES.
 - 2- PRODUCT SPECIFICATION: MOLEX PS-85508-001.
 - 3- APPLICATION SPECIFICATION: AS-85513-001
 - 4- PACKAGING SPECIFICATION: MOLEX PK-95123.
 - 5- EXCEEDS CATEGORY 5E PERFORMANCE.
- LAST INSPECTION NUMBER: 20

ADDED DIMENSIONS	EC NO: IPG2013-0417	2012/09/24	QUALITY SYMBOLS	GENERAL TOLERANCES (UNLESS SPECIFIED)		DIMENSION STYLE		SCALE	DESIGN UNITS	THIRD ANGLE PROJECTION		
	DRWN:DBYRNES	2012/09/24		mm	INCH	MM ONLY		5:1	METRIC	☉		
	CHKD:MSHAHAN	2012/10/16		4 PLACES ± --- ± ---	3 PLACES ± --- ± ---	DRAWN BY	DATE	TITLE				
	APPR:STGRUFFIN	2012/10/23		2 PLACES ± 0.25 ± ---	1 PLACE ± 0.35 ± ---	CHECKED BY	DATE	CAT 5E MODULAR JACK TOP ENTRY 8 CKTS THROUGH HOLE VERSION				
				ANGULAR ± 2 °		APPROVED BY	DATE	MOLEX MOLEX INCORPORATED				
				DRAFT WHERE APPLICABLE MUST REMAIN WITHIN DIMENSIONS		MATERIAL NO.		DOCUMENT NO.			SHEET NO.	
						SIZE	THIS DRAWING CONTAINS INFORMATION THAT IS PROPRIETARY TO MOLEX INCORPORATED AND SHOULD NOT BE USED WITHOUT WRITTEN PERMISSION				1 OF 1	