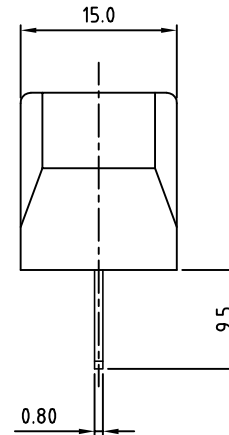
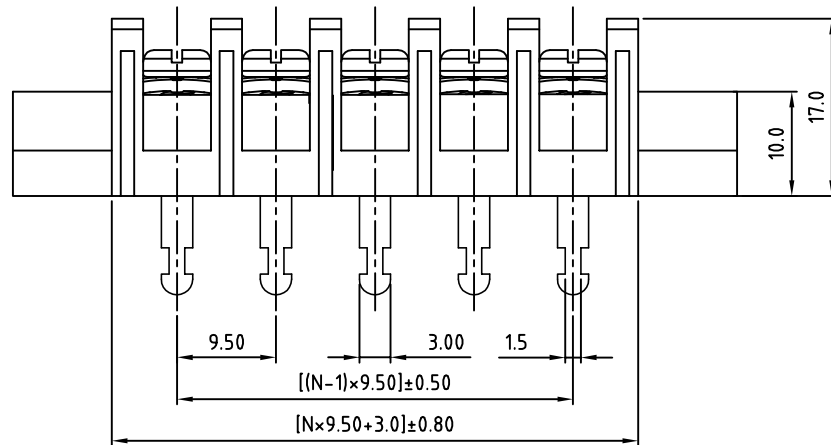
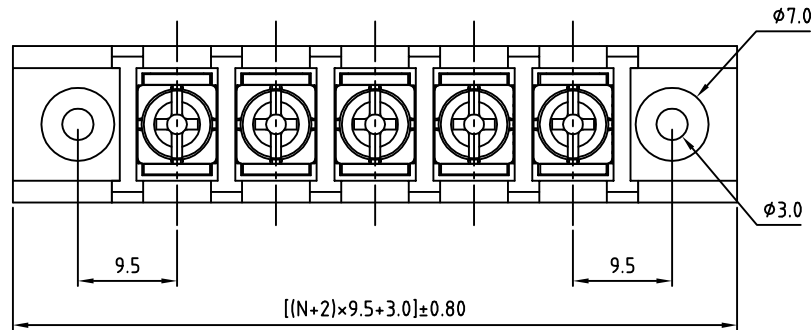


SIGN	DATE	DESCRIPTION	APPROVER

THIS IS CAD DRAWING, DO NOT REVISE MANUALLY!!!

SPECIFICATIONS

ELECTRICAL	
VOLTAGE & CURRENT:	300 V, 20 A
WITHSTANDING VOLTAGE:	AC 2000 V/Min
INSULATION RESISTANCE:	1000 MΩ OR MORE AT DC 500 V
TEMPERATURE RANGE:	-40 °C ~ +105 °C
SCREW TORQUE VALUE:	12 Lb-In.
WIRE RANGE:	22 - 12AWG
1) MOLDED PARTS:	POLYIMIDE 66, UL 94 V-0 BLACK
2) TERMINAL:	BRASS, 0.8t, Tin PLATED
3) TERMINAL SCREWS:	STEEL, Ni PLATED, M3.5
APPROVAL:	us



PART NUMBER:

OSTYK506XX330

- No. of Poles
- 02: 2 Poles
  - 03: 3 Poles
  - 04: 4 Poles
  - ...
  - 30: 30 Poles

N=Number of poles

THESE DRAWINGS AND SPECIFICATIONS ARE THE PROPERTY OF ON-SHORE TECHNOLOGY, INC. AND SHALL NOT BE REPRODUCED, COPIED OR USED IN ANY MANNER WITHOUT THE PRIOR WRITTEN CONSENT OF ON-SHORE TECHNOLOGY, INC.



TITLE	OSTYK-506 Series With Flange & Without Cover						
PART NO.	OSTYK506XX330			DWG NO.	OSTYK506XX330.DWG		
APPROVED	CHECKED	DESIGNED	DRAWN	CUST NO.			
Shi Jun 2006.11.07	Seamus 2006.11.06	Tony 2006.08.03	Tony 2006.08.03		UNIT: mm	Tolerance	
					SCALE: NONE	X.	±0.50
					REV: A	X.X	±0.30
						X.XX	±0.10
						X°	±1°

SHEET: 01/01