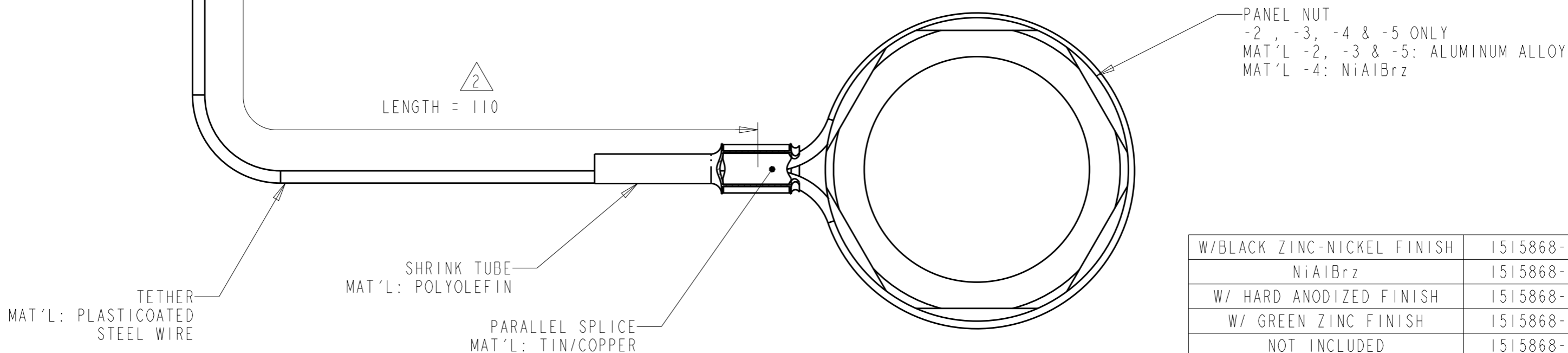
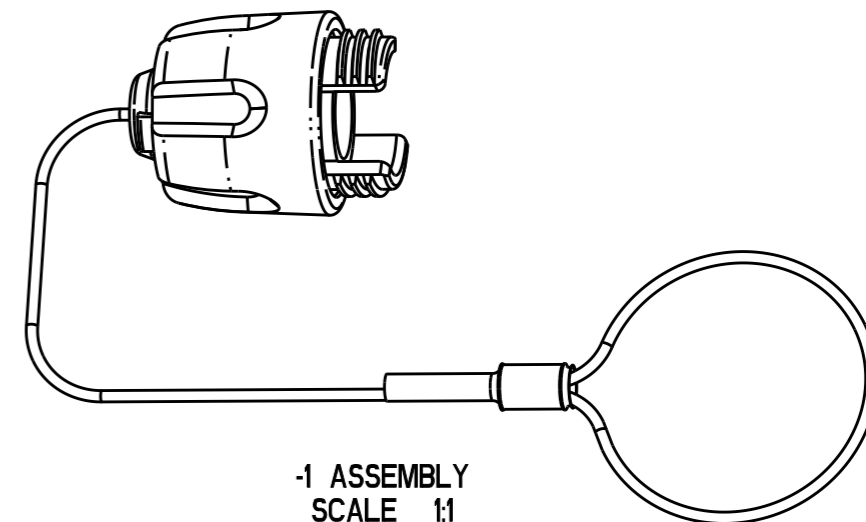
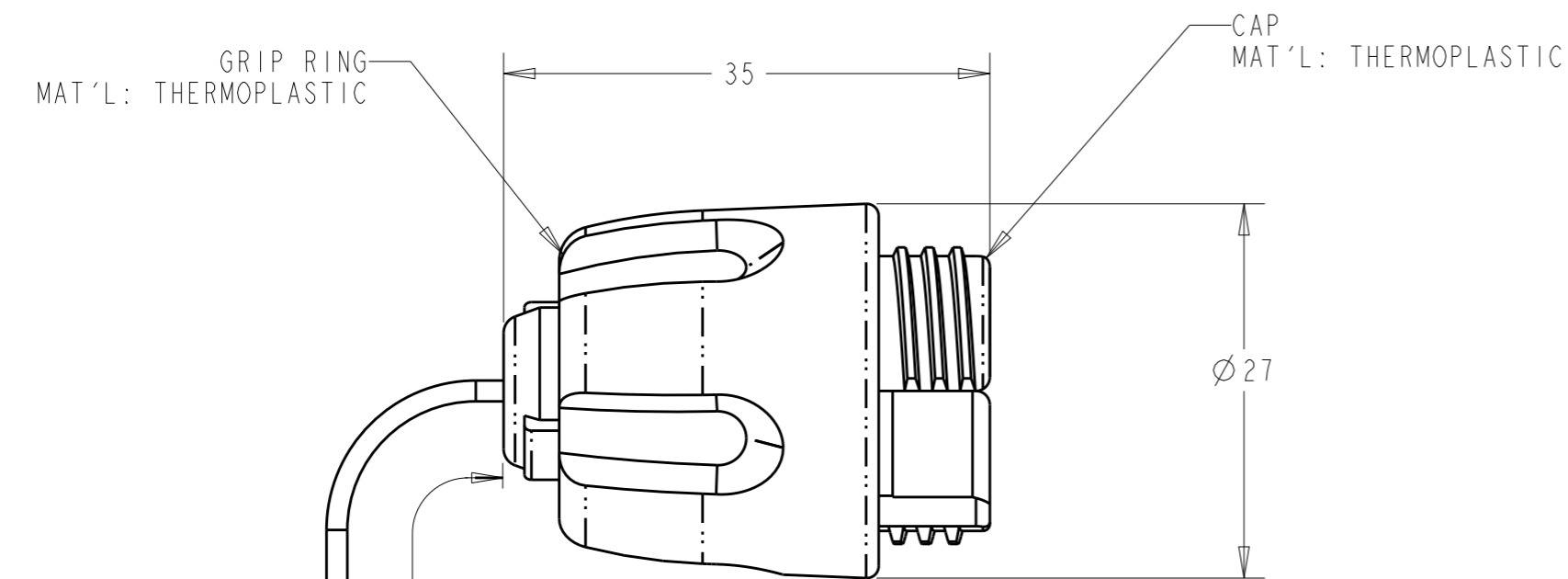


THIS DRAWING IS UNPUBLISHED. RELEASED FOR PUBLICATION 20  
 © COPYRIGHT 20 BY - ALL RIGHTS RESERVED.

LOC	DIST	REVISIONS			
P	LTR	DESCRIPTION	DATE	DWN	APVD
	G2	ECR-12-017611	11OCT2012	KG	DW

1. DIMENSIONS ARE FOR REFERENCE ONLY.

△ 2 DIMENSIONED TO CENTER OF PARALLEL SPLICE.



W/BLACK ZINC-NICKEL FINISH	1515868-5
NiAlBrz	1515868-4
W/ HARD ANODIZED FINISH	1515868-3
W/ GREEN ZINC FINISH	1515868-2
NOT INCLUDED	1515868-1
PANEL NUT OPTION	PART NUMBER

THIS DRAWING IS A CONTROLLED DOCUMENT. DIMENSIONING AND TOLERANCING PER ASME Y14.5M-2009		DWN K. GLATFELTER 14OCT2002	TE Connectivity	
DIMENSIONS: mm		CHK D. WERTMAN 15OCT2002		
TOLERANCES UNLESS OTHERWISE SPECIFIED:		APVD D. WERTMAN 15OCT2002	NAME PROTECTIVE CAP FOR BULKHEAD PRO BEAM JR.	
0 PLC ±-		PRODUCT SPEC	SIZE	
1 PLC ±-		APPLICATION SPEC	CAGE CODE	
2 PLC ±-		WEIGHT	DRAWING NO	
3 PLC ±-			RESTRICTED TO	
4 PLC ±-			A3 00779 C-1515868	
ANGLES ±-			SCALE	
FINISH -			SHEET OF	
MATERIAL AS LISTED			REV G2	
		Customer Drawing		