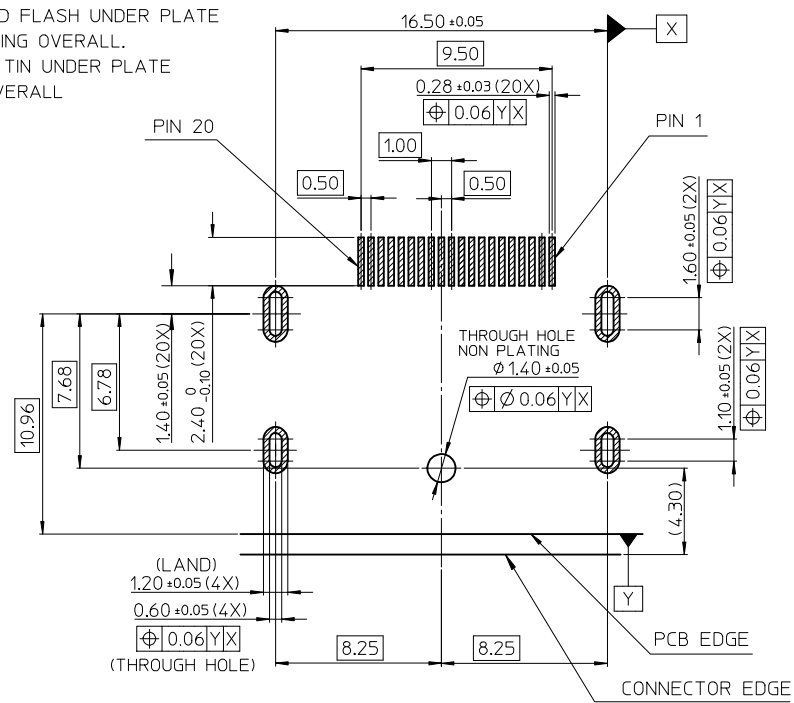
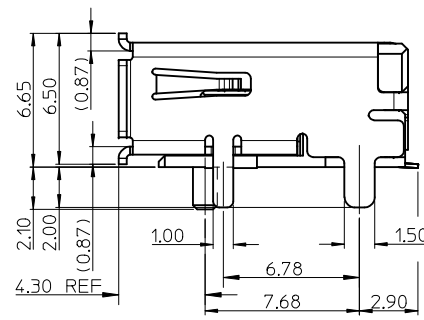
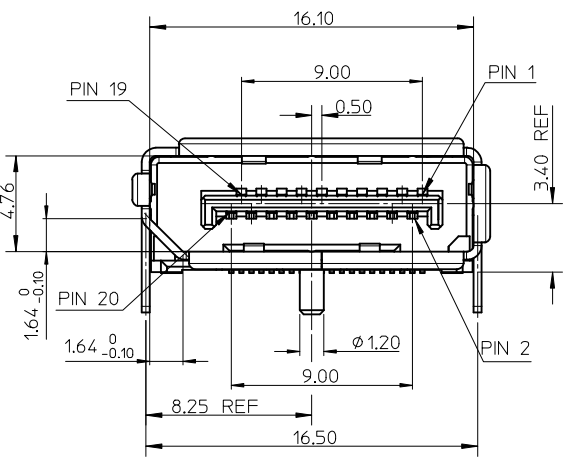
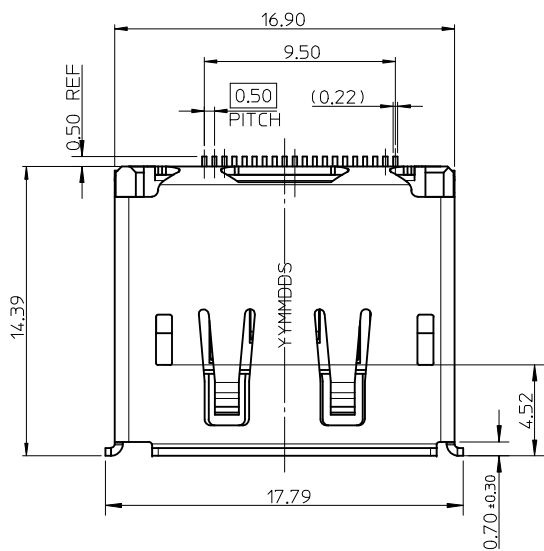
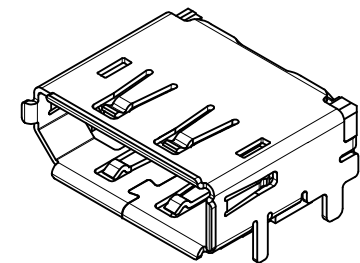


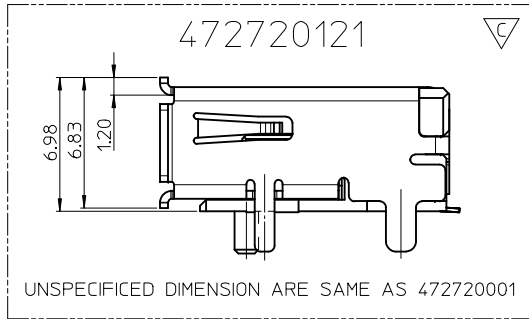
10 9 8 7 6 5 4 3 2 1

NOTES:

- MATERIAL:  
HOUSING: LIQUID CRYSTAL POLYMER, BLACK, 30% GLASS FILLED, UL94V-0.  
TERMINAL: BRASS.  
SHELL: STAINLESS STEEL FOR WITHOUT FLANGE PART & PHOSPHOR BRONZE FOR WITH FLANGE PART
- PLATING:  
TERMINAL:  
CONTACT AREA: (1). 0.76 MICROMETER (30 μ) GOLD PLATING  
(2). 0.38 MICROMETER (15 μ) GOLD PLATING  
(3). GOLD FLASH PLATING  
AND SOLDER TAIL: 1~3 MICROMETER (39~118 μ) MATT TIN UNDER PLATE  
2~4 MICROMETER (79~158 μ) NICKEL PLATING OVERALL.
- SHELL:  
(a). 1.27~2.54 MICROMETER (50~100 μ) SOLDERABLE NICKEL PLATING OVERALL.  
(b). SHELL PEG SOLDERING SURFACE PLATE GOLD FLASH UNDER PLATE  
1~3 MICROMETER (39~118 μ) NICKEL PLATING OVERALL.  
(c). SHELL PLATE 2.0~4.0 MICROMETER (79~158 μ) TIN UNDER PLATE  
1.27~3.0 MICROMETER (50~118 μ) NICKEL OVERALL
- SOLDERTAIL COPLANARITY 0.10 MAX.
- PS REFER TO PS-47272-001



RECOMMENDED PCB LAYOUT (THICKNESS=1.6±0.15)

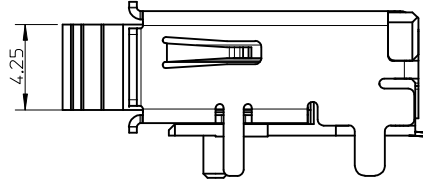
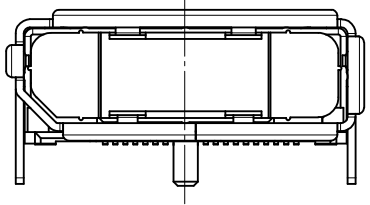
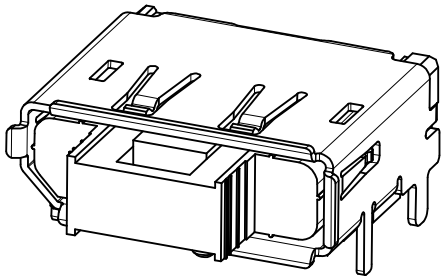
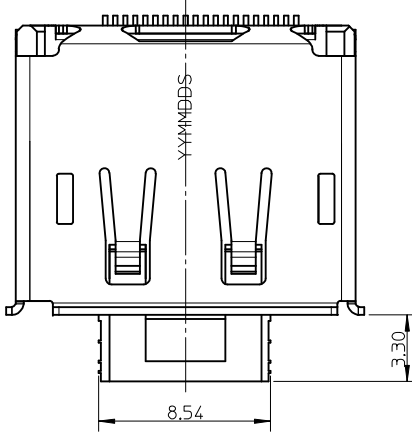


REVISED EC NO: SH2015-0381 DRWR:RZHANG CHKD: APPR:AYIN REV 3	DESCRIPTION 2015/03/19 2015/04/29	QUALITY SYMBOLS	GENERAL TOLERANCES (UNLESS SPECIFIED)		DIMENSION STYLE	SCALE	DESIGN UNITS	THIRD ANGLE PROJECTION
		$\nabla = 0$ $\nabla = 0$ $\nabla = 0$	mm	INCH	MM ONLY	1:1	METRIC	
		4 PLACES	± ---	± ---	DRAWN BY	DATE	TITLE	1.0MM PITCH DISPLAY PORT RECEPTACLE ASSEMBLY
		3 PLACES	± ---	± ---	RZHANG	2005/07/01	MOLEX INCORPORATED DOCUMENT NO. SD-47272-001 SHEET NO. 1 OF 8	
2 PLACES	± 0.25	± ---	CHECKED BY	DATE				
1 PLACE	± 0.25	± ---	IWANG	2005/07/01				
ANGULAR ± 3 °			APPROVED BY	DATE				
DRAFT WHERE APPLICABLE MUST REMAIN WITHIN DIMENSIONS			RZHANG	2010/03/26	SEE SHEET 8			

9 8 7 6 5 4 3 2 1

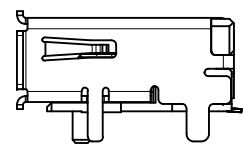
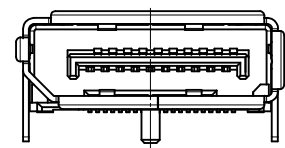
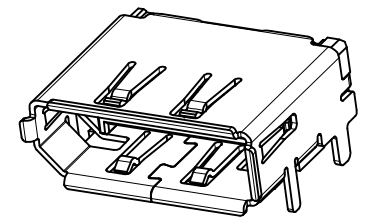
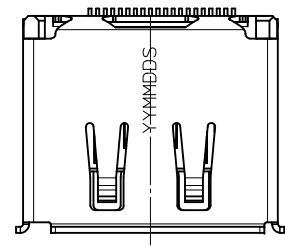
10 9 8 7 6 5 4 3 2 1

WITH COVER



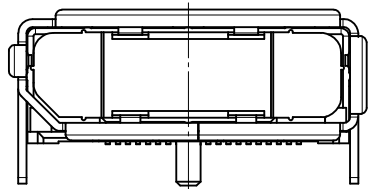
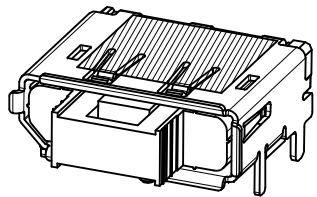
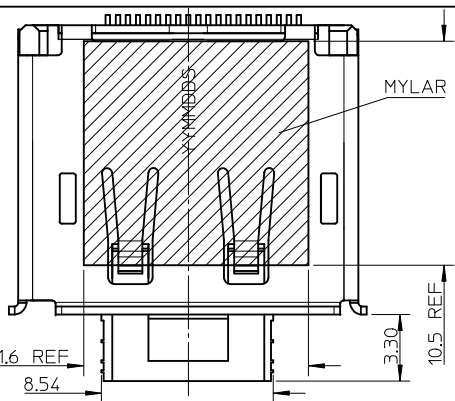
- NOTES:  
 1.UNSPECIFIED DIMENSION ARE SAME AS SHEET1  
 2.CONNECTOR WITH COVER IS USED FOR WARE SOLDERING PEG

WITHOUT LATCH HOLE



- NOTES:  
 1.UNSPECIFIED DIMENSION ARE SAME AS SHEET1

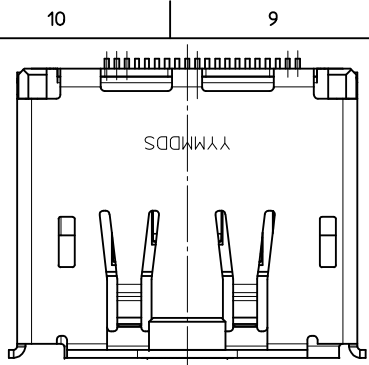
WITH COVER AND MYLAR



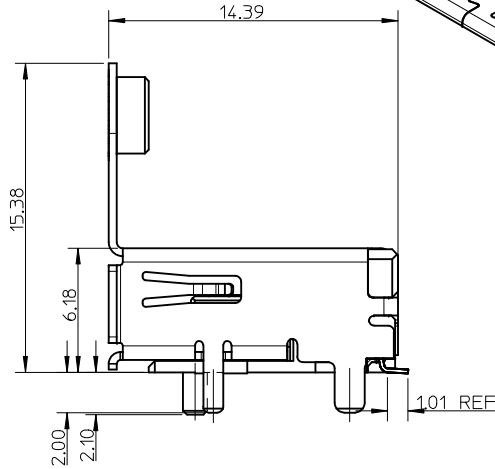
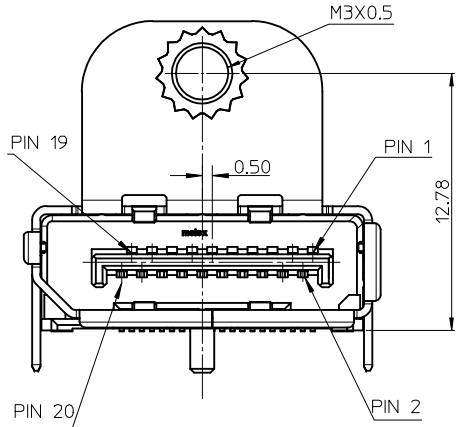
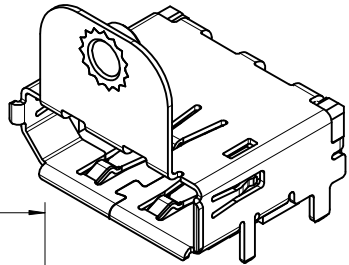
- NOTES:  
 1.UNSPECIFIED DIMENSION ARE SAME AS SHEET1  
 2.CONNECTOR WITH COVER IS USED FOR WARE SOLDERING PEG

REVISED EC NO: SH2015-0381 DRW: RZHANG CHKD: APPR: AYIN REV	DESCRIPTION 2015/03/19 2015/04/29	QUALITY SYMBOLS	GENERAL TOLERANCES (UNLESS SPECIFIED)		DIMENSION STYLE	SCALE	DESIGN UNITS	THIRD ANGLE PROJECTION	
		$F_A=0$ $F_B=0$ $F_C=0$	mm	INCH	MM ONLY	1:1	METRIC		
		4 PLACES ± --- ± --- 3 PLACES ± --- ± --- 2 PLACES ± 0.25 ± --- 1 PLACE ± 0.25 ± ---	DRAWN BY: RZHANG DATE: 2005/07/01		CHECKED BY: IWANG DATE: 2005/07/01		APPROVED BY: RZHANG DATE: 2010/03/26		
		ANGULAR ± 3 °	DRAFT WHERE APPLICABLE MUST REMAIN WITHIN DIMENSIONS		SEE SHEET 8		MATERIAL NO. DOCUMENT NO.		
					TITLE		MOLEX INCORPORATED		
					1.0MM PITCH DISPLAY PORT RECEPTACLE ASSEMBLY		SD-47272-001		
					THIS DRAWING CONTAINS INFORMATION THAT IS PROPRIETARY TO MOLEX INCORPORATED AND SHOULD NOT BE USED WITHOUT WRITTEN PERMISSION		SHEET NO. 2 OF 8		

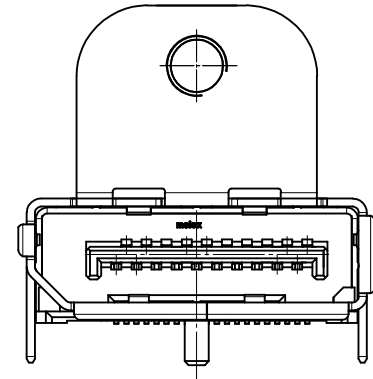
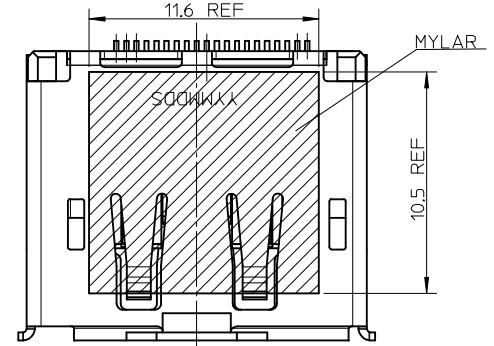
9 8 7 6 5 4 3 2 1



WITH FLANGE AND THROUGH HOLE PEG

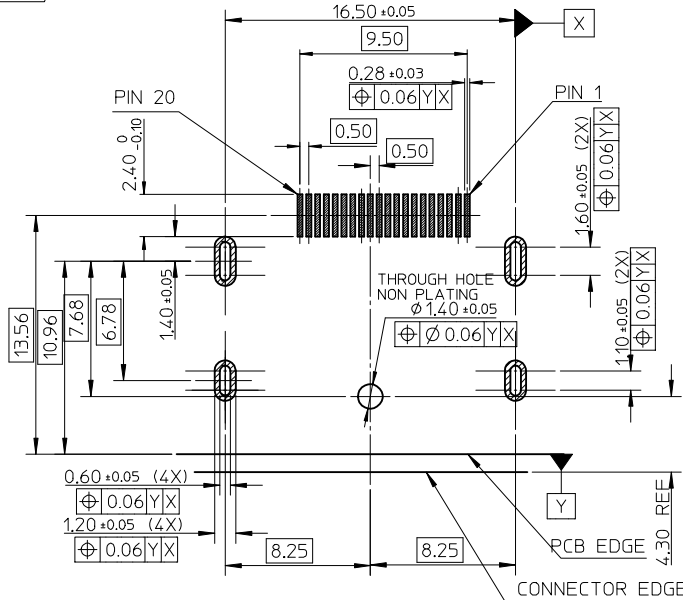


WITH MYLAR



NOTES:  
UNSPECIFIED DIMENSION ARE SAME AS SHEET1

NOTES:  
UNSPECIFIED DIMENSION ARE SAME AS SHEET1



REVISED	EC NO: SH2015-0381	2015/03/19	2015/04/29
DRW: RZHANG	CHKD:	APPR: AYIN	DESCRIPTION
QUALITY SYMBOLS	DESCRIPTION	DATE	DATE
$\nabla_F = 0$			
$\nabla_F = 0$			
$\nabla_F = 0$			

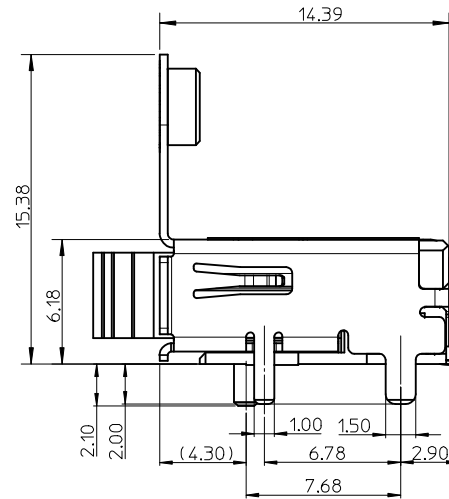
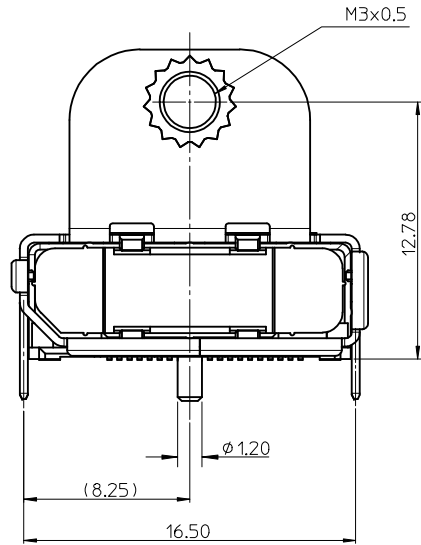
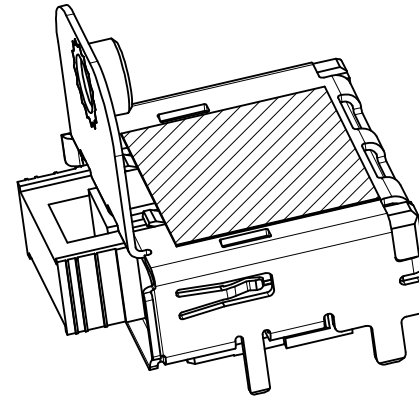
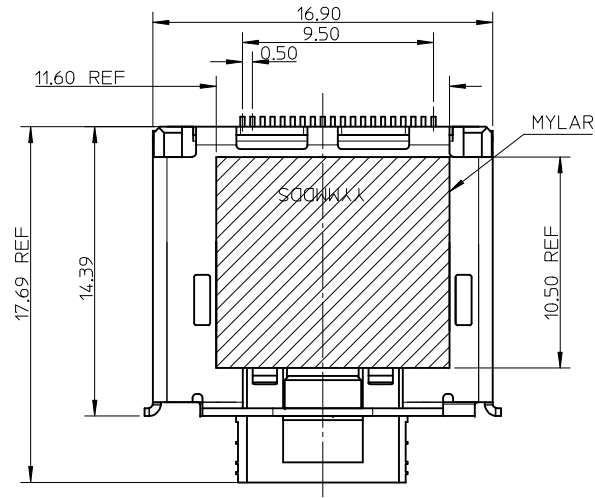
GENERAL TOLERANCES (UNLESS SPECIFIED)	
mm	INCH
4 PLACES ± ---	± ---
3 PLACES ± ---	± ---
2 PLACES ± 0.25	± ---
1 PLACE ± 0.25	± ---
ANGULAR ± 3°	
DRAFT WHERE APPLICABLE MUST REMAIN WITHIN DIMENSIONS	

DIMENSION STYLE	
MM ONLY	
DRAWN BY	DATE
RZHANG	2005/07/01
CHECKED BY	DATE
IWANG	2005/07/01
APPROVED BY	DATE
RZHANG	2010/03/26
MATERIAL NO.	
SEE SHEET 8	

SCALE	DESIGN UNITS	THIRD ANGLE PROJECTION
1:1	METRIC	
TITLE		
1.0MM PITCH DISPLAY PORT RECEPTACLE ASSEMBLY		
MOLEX INCORPORATED		SHEET NO.
DOCUMENT NO.		3 OF 8
SD-47272-001		





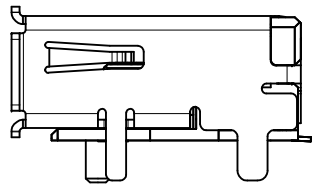
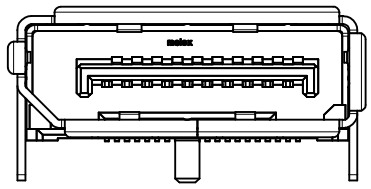
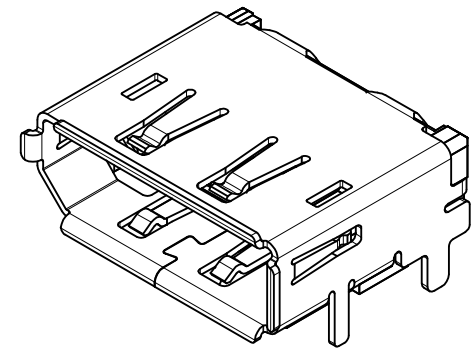
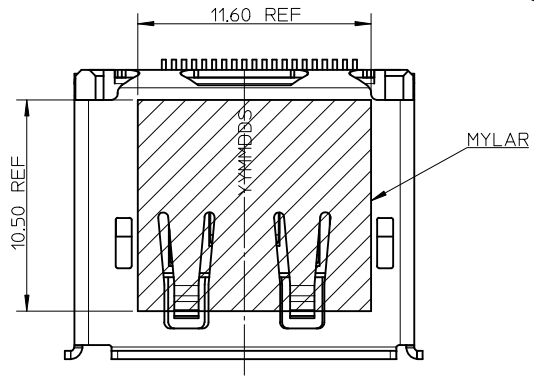


- NOTES:
1. UNSPECIFIC DIMENSION ARE SAME AS SHEET1
  2. THE RECOMMENDER PCB ARE SAME AS SHEET1

REVISED EC NO: SH2015-0381 DRAWN: RZHANG CHKD: APPR: AYIN	DESCRIPTION REV	QUALITY SYMBOLS		GENERAL TOLERANCES (UNLESS SPECIFIED)		DIMENSION STYLE MM ONLY		SCALE 1:1	DESIGN UNITS METRIC	THIRD ANGLE PROJECTION
		$\nabla = 0$	$\nabla = 0$	$\nabla = 0$	4 PLACES	mm	INCH	DRAWN BY RZHANG	DATE 2005/07/01	TITLE 1.0MM PITCH DISPLAY PORT RECEPTACLE ASSEMBLY
		$\nabla = 0$	$\nabla = 0$	$\nabla = 0$	3 PLACES	$\pm$ ---	$\pm$ ---	CHECKED BY IWANG	DATE 2005/07/01	MOLEX INCORPORATED
		$\nabla = 0$	$\nabla = 0$	$\nabla = 0$	2 PLACES	$\pm 0.25$	$\pm$ ---	APPROVED BY RZHANG	DATE 2010/03/26	
			1 PLACE	$\pm 0.25$	$\pm$ ---	MATERIAL NO. SEE SHEET 8		SHEET NO. 6 OF 8	THIS DRAWING CONTAINS INFORMATION THAT IS PROPRIETARY TO MOLEX INCORPORATED AND SHOULD NOT BE USED WITHOUT WRITTEN PERMISSION	
DRAFT WHERE APPLICABLE MUST REMAIN WITHIN DIMENSIONS				ANGULAR $\pm 3^\circ$						

10 9 8 7 6 5 4 3 2 1

# STANDARD TYPE WITH MYLAR



**NOTES:**

- 1. UNSPECIFIC DIMENSION ARE SAME AS SHEET1
- 2. THE RECOMMENDER PCB ARE SAME AS SHEET1

REVISED EC NO: SH2015-0381 DRWR:RZHANG CHKD: APPR:AYIN 2015/03/19 2015/04/29	DESCRIPTION REV	QUALITY SYMBOLS	GENERAL TOLERANCES (UNLESS SPECIFIED)		DIMENSION STYLE <b>MM ONLY</b>		SCALE <b>4:1</b>	DESIGN UNITS <b>METRIC</b>	THIRD ANGLE PROJECTION																											
		$\nabla = 0$ $\nabla = 0$ $\nabla = 0$	<table border="1"> <tr> <th></th> <th>mm</th> <th>INCH</th> </tr> <tr> <td>4 PLACES</td> <td>± ---</td> <td>± ---</td> </tr> <tr> <td>3 PLACES</td> <td>± ---</td> <td>± ---</td> </tr> <tr> <td>2 PLACES</td> <td>± 0.25</td> <td>± ---</td> </tr> <tr> <td>1 PLACE</td> <td>± 0.25</td> <td>± ---</td> </tr> </table>		mm	INCH	4 PLACES	± ---	± ---	3 PLACES	± ---	± ---	2 PLACES	± 0.25	± ---	1 PLACE	± 0.25	± ---	<table border="1"> <tr> <th>DRAWN BY</th> <th>DATE</th> </tr> <tr> <td>RZHANG</td> <td>2005/07/01</td> </tr> <tr> <th>CHECKED BY</th> <th>DATE</th> </tr> <tr> <td>IWANG</td> <td>2005/07/01</td> </tr> <tr> <th>APPROVED BY</th> <th>DATE</th> </tr> <tr> <td>RZHANG</td> <td>2010/03/26</td> </tr> </table>	DRAWN BY	DATE	RZHANG	2005/07/01	CHECKED BY	DATE	IWANG	2005/07/01	APPROVED BY	DATE	RZHANG	2010/03/26	TITLE		MOLEX INCORPORATED SD-47272-001		SHEET NO.
			mm	INCH																																
		4 PLACES	± ---	± ---																																
3 PLACES	± ---	± ---																																		
2 PLACES	± 0.25	± ---																																		
1 PLACE	± 0.25	± ---																																		
DRAWN BY	DATE																																			
RZHANG	2005/07/01																																			
CHECKED BY	DATE																																			
IWANG	2005/07/01																																			
APPROVED BY	DATE																																			
RZHANG	2010/03/26																																			
DRAFT WHERE APPLICABLE MUST REMAIN WITHIN DIMENSIONS		SEE SHEET 8		THIS DRAWING CONTAINS INFORMATION THAT IS PROPRIETARY TO MOLEX INCORPORATED AND SHOULD NOT BE USED WITHOUT WRITTEN PERMISSION		7 OF 8																														

9 8 7 6 5 4 3 2 1

10 9 8 7 6 5 4 3 2 1

F

E

D

C

B

A

PART NO.	COVER	FLANGE (SCREW)	PEG OF SHELL	PLATING IN CONTACT AREA	SHELL PLATING	LATCH HOLE	MYLAR	POST	PACKAGE	REMARK	SHELL MATERIAL
472720001	WITHOUT	WITHOUT	THROUGH HOLE PEG	SEE NOTE2(1)	SEE NOTE2(a)	WITH	WITHOUT	WITH	PK-47272-001	FOR SHEET 1	STAINLESS STEEL
472720011	WITHOUT	WITHOUT	THROUGH HOLE PEG	SEE NOTE2(2)	SEE NOTE2(a)	WITH	WITHOUT	WITH	PK-47272-001		
472720021	WITHOUT	WITHOUT	THROUGH HOLE PEG	SEE NOTE2(3)	SEE NOTE2(a)	WITH	WITHOUT	WITH	PK-47272-001		
472720003	WITHOUT	WITHOUT	THROUGH HOLE PEG	SEE NOTE2(1)	SEE NOTE2(a)	WITHOUT	WITHOUT	WITH	PK-47272-001	FOR SHEET 2	
472721002	WITH	WITHOUT	THROUGH HOLE PEG	SEE NOTE2(1)	SEE NOTE2(a)	WITH	WITHOUT	WITH	PK-47272-001		
472720012	WITH	WITHOUT	THROUGH HOLE PEG	SEE NOTE2(2)	SEE NOTE2(a)	WITH	WITHOUT	WITH	PK-47272-001		
472720022	WITH	WITHOUT	THROUGH HOLE PEG	SEE NOTE2(3)	SEE NOTE2(a)	WITH	WITHOUT	WITH	PK-47272-001		
472720024	WITH	WITHOUT	THROUGH HOLE PEG	SEE NOTE2(1)	SEE NOTE2(a)	WITH	WITH	WITH	PK-47272-001	FOR SHEET 3	
472720004	WITH	WITH	THROUGH HOLE PEG	SEE NOTE2(1)	SEE NOTE2(c)	WITH	WITHOUT	WITH	PK-47272-005		
472721004	WITHOUT	WITH	THROUGH HOLE PEG	SEE NOTE2(1)	SEE NOTE2(c)	WITH	WITHOUT	WITH	PK-47272-003		
472720025	WITHOUT	WITH	THROUGH HOLE PEG	SEE NOTE2(1)	SEE NOTE2(c)	WITH	WITH	WITH	PK-47272-003		
472720028	WITHOUT	WITH	THROUGH HOLE PEG	SEE NOTE2(3)	SEE NOTE2(c)	WITH	WITH	WITH	PK-47272-003		
472721005	WITHOUT	WITH	SMT PEG	SEE NOTE2(1)	SEE NOTE2(c)	WITH	WITHOUT	WITH	PK-47272-003	FOR SHEET 4	
472720023	WITHOUT	WITH	SMT PEG	SEE NOTE2(1)	SEE NOTE2(c)	WITH	WITH	WITH	PK-47272-003	FOR SHEET 5	
472720026	WITHOUT	WITHOUT	THROUGH HOLE PEG	SEE NOTE2(1)	SEE NOTE2(a)	WITH	WITHOUT	WITHOUT	PK-47272-001	FOR SHEET 6	STAINLESS STEEL
472720027	WITH	WITH	THROUGH HOLE PEG	SEE NOTE2(1)	SEE NOTE2(c)	WITH	WITH	WITH	PK-47272-005	FOR SHEET 7	PHOSPHOR BRONZE
472720029	WITHOUT	WITHOUT	THROUGH HOLE PEG	SEE NOTE2(1)	SEE NOTE2(a)	WITH	WITH	WITH	PK-47272-001	FOR SHEET 1	STAINLESS STEEL
472720121	WITHOUT	WITHOUT	THROUGH HOLE PEG	SEE NOTE2(1)	SEE NOTE2(a)	WITH	WITHOUT	WITH	PK-47272-121	FOR SHEET 3	PHOSPHOR BRONZE
472721014	WITHOUT	WITH	THROUGH HOLE PEG	SEE NOTE2(2)	SEE NOTE2(c)	WITH	WITHOUT	WITH	PK-47272-003	FOR SHEET 2	STAINLESS STEEL



REVISED EIC NO: SH2015-0381 DRWNR:RZHANG CHKD: APPR:AYIN 2015/03/19 2015/04/29	DESCRIPTION REV	QUALITY SYMBOLS	GENERAL TOLERANCES (UNLESS SPECIFIED)	DIMENSION STYLE	SCALE	DESIGN UNITS	THIRD ANGLE PROJECTION		
		$F_A=0$ $F_G=0$ $F_B=0$	mm    INCH 4 PLACES ± --- ± --- 3 PLACES ± --- ± --- 2 PLACES ± 0.25 ± --- 1 PLACE ± 0.25 ± --- ANGULAR ± 3 °	MM ONLY	1:1	METRIC	DRAWN BY: RZHANG    DATE: 2005/07/01 CHECKED BY: IWANG    DATE: 2005/07/01 APPROVED BY: RZHANG    DATE: 2010/03/26	TITLE	1.0MM PITCH DISPLAY PORT RECEPTACLE ASSEMBLY
			DRAFT WHERE APPLICABLE MUST REMAIN WITHIN DIMENSIONS	SEE CHART	MOLEX INCORPORATED SD-47272-001	SHEET NO. 8 OF 8			
		SIZE A3	THIS DRAWING CONTAINS INFORMATION THAT IS PROPRIETARY TO MOLEX INCORPORATED AND SHOULD NOT BE USED WITHOUT WRITTEN PERMISSION						

9 8 7 6 5 4 3 2 1