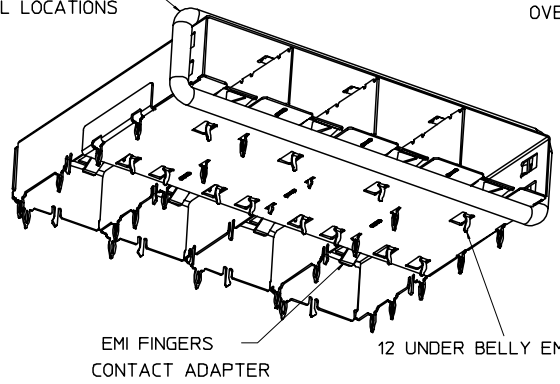
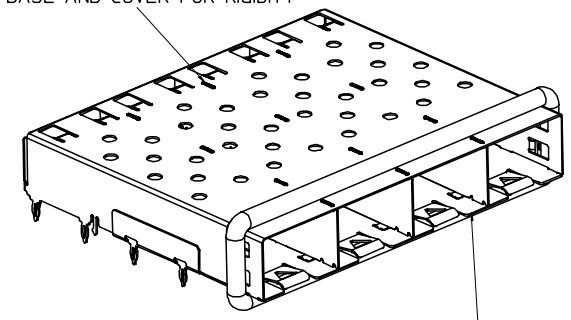


- NOTES:
1. PRESS FIT LEGS .120" LONG-  
0.062 [1.57] MINIMUM PCB THICKNESS FOR SINGLE SIDED USE.  
0.118 [3.00] MINIMUM PCB THICKNESS FOR BELLY TO BELLY USE.
  2. MATERIAL: COPPER ALLOY  
PLATING: NONE
- NOTE: A NICKEL PLATED VERSION OF THIS ASSEMBLY IS AVAILABLE.  
REFER TO DOCUMENT SD-74728-420.
3. REFERENCE DOCUMENTS:  
PRODUCT SPECIFICATION: PS-74728-000  
COSMETIC SPECIFICATIONS: WI-HP-7-2774 AND WI-HPA-7-0093  
TEST SUMMARY: TS-74728-0415
  4. THIS PART MEETS THE RESTRICTION OF HAZARDOUS SUBSTANCES IN ELECTRICAL AND ELECTRONIC EQUIPMENT (ROHS) DIRECTIVE (2002/95/EC).

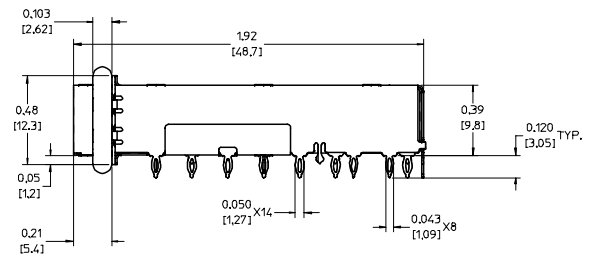
360° ELASTOMER GASKET COMPLIES WITH (SFP) MSA BOARD AND BEZEL LOCATIONS



INNER WALL TABS ARE COINED OVER BASE AND COVER FOR RIGIDITY



DIMENSIONS OF EACH INNER CAGE DESIGNED TO FUNCTION WITH SMALL FORM-FACTOR PLUGGABLE (SFP) TRANSCEIVER

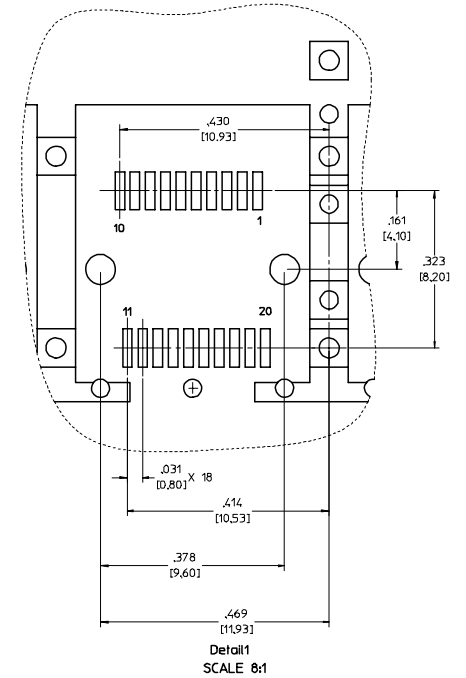
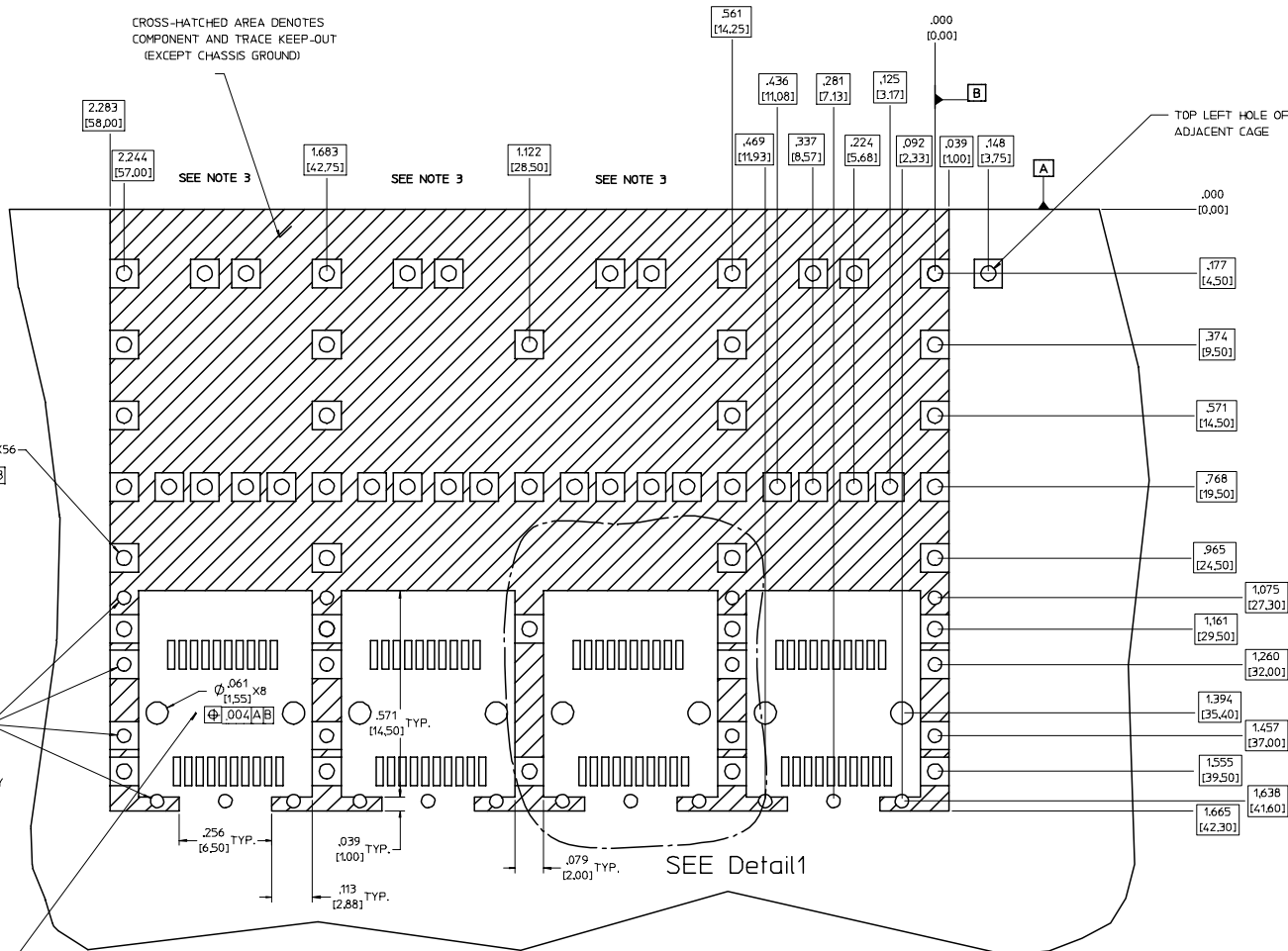


ENTER DESCRIPTION EC NO: USY2006-0079 DRAWN BY: JORWANKS IMONSON 2006/01/17 CHECKED BY: CHFKBRUSSELL 2006/01/28 APPR: BRUSSELL 2006/01/25	QUALITY SYMBOLS	GENERAL TOLERANCES (UNLESS SPECIFIED)	DIMENSION STYLE	SCALE	DESIGN UNITS	THIRD ANGLE PROJECTION
	▽=0 ▽=0	mm INCH 4 PLACES ± --- ± --- 3 PLACES ± --- ± .005 2 PLACES ± 0.13 ± .01 1 PLACE ± 0.25 ± --- ANGULAR ± 1 °	IN/MM DRAWN BY: KS IMONSON DATE: 2004/03/22 CHECKED BY: BRUSSELL DATE: 2004/03/22 APPROVED BY: BRUSSELL DATE: 2004/03/22	3:1	METRIC	TITLE: 1X4 SFP GANGED CAGE ASSEMBLY W/ ELASTOMER GASKET, PRESS FIT MOLEX INCORPORATED
	DRAFT WHERE APPLICABLE MUST REMAIN WITHIN DIMENSIONS	MATERIAL NO: 739270411 DOCUMENT NO: SD-73927-411	SHEET NO: 1 OF 5	THIS DRAWING CONTAINS INFORMATION THAT IS PROPRIETARY TO MOLEX INCORPORATED AND SHOULD NOT BE USED WITHOUT WRITTEN PERMISSION		
	REV	DESCRIPTION	DATE			

# PCB LAYOUT FOR BELLY TO BELLY MOUNTING

CROSS-HATCHED AREA DENOTES  
COMPONENT AND TRACE KEEP-OUT  
(EXCEPT CHASSIS GROUND)

## HOST CONNECTOR DETAIL



Detail 1  
SCALE 8:1

$\varnothing .041 \pm .002$  X56  
 $1.05 \pm 0.03$   
[.004]A[B]

$\varnothing .037 \pm .002$  X24  
 $1.05 \pm 0.03$   
[.004]A[B]  
SMALLER HOLE ON  
THESE FOUR ROWS ONLY

SEE Detail 1

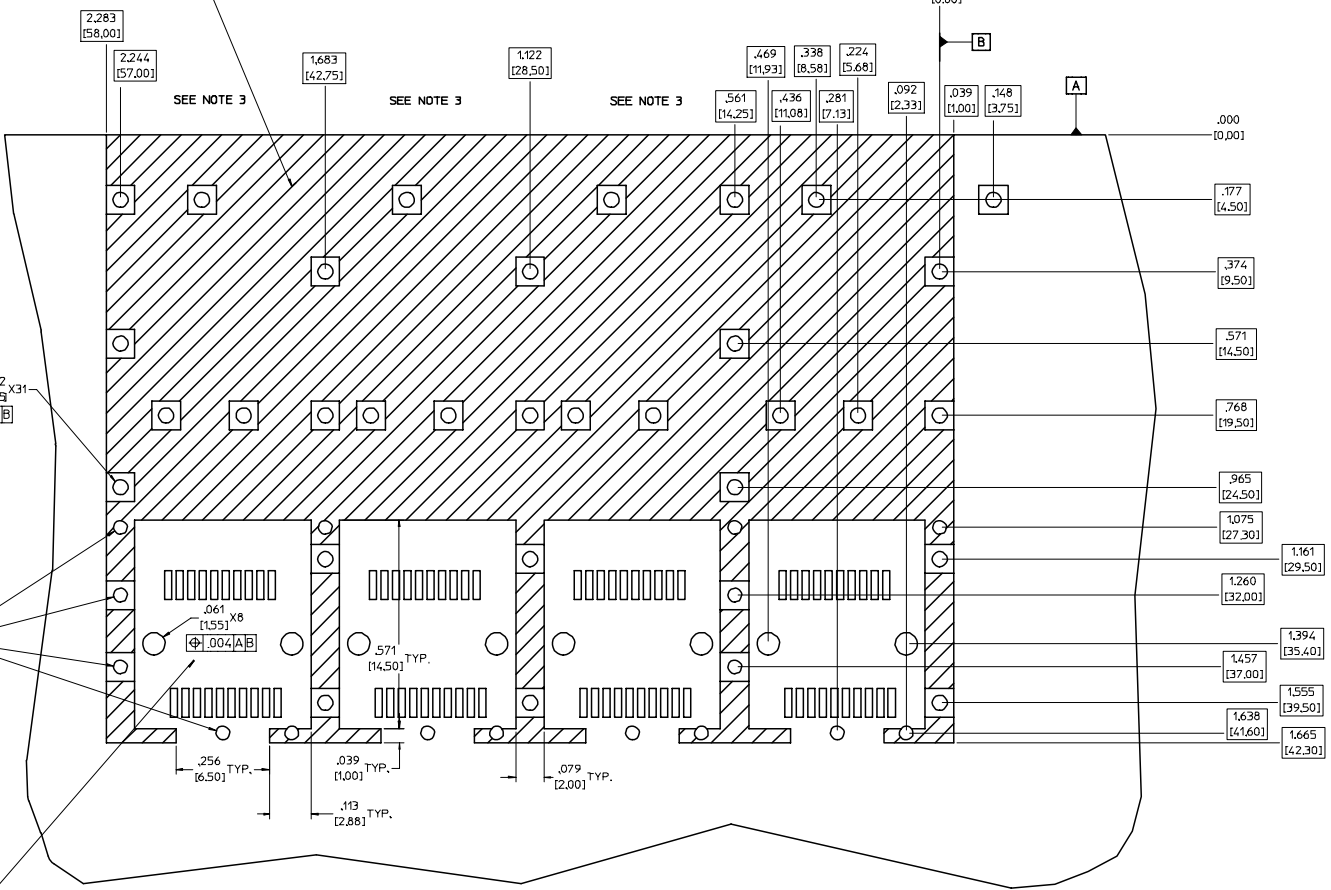
THIS AREA DENOTES  
COMPONENT KEEP-OUT  
(TRACES ALLOWED)

- NOTES:
- PADS AND VIAS GO TO CHASSIS GROUND. (64 PLACES).  
RECOMMENDED PADS TO BE 2mm SQUARE
  - PLATING OPTIONAL FOR THROUGH HOLES. (16 PLACES).
  - RECOMMENDED PLATING INCLUDES HASL, IMMERSION (GOLD, SILVER, OR TIN), AND OSP.
  - HOLE PATTERN REPEATS FOR EACH PORT,  
SPACING BETWEEN PORTS IS 5.61 [14.25]
  - CONNECTOR PAD LAYOUT PER SFP MSA. WILL ACCOMMODATE MOLEX  
CONNECTOR SERIES 74441 OR EQUIVALENT.

<b>ENTER DESCRIPTION</b> EC NO: UST2006-0079 DORWANS MONSON 2006/01/17 CHFKBRUSSELL 2006/01/28 APPR:BRUSSELL 2006/01/25	QUALITY SYMBOLS	GENERAL TOLERANCES (UNLESS SPECIFIED)	DIMENSION STYLE	SCALE	DESIGN UNITS	THIRD ANGLE PROJECTION
	$\nabla=0$ $\nabla=0$	mm INCH 4 PLACES ± --- ± --- 3 PLACES ± --- ± .005 2 PLACES ± 0.13 ± .01 1 PLACE ± 0.25 ± --- ANGULAR ± 1 °	IN/MM DRAWN BY DATE KS IMONSO 2004/03/22 CHECKED BY DATE BRUSSELL 2004/03/22 APPROVED BY DATE BRUSSELL 2004/03/22	6:1	METRIC	TITLE 1X4 SFP GANGED CAGE ASSEMBLY W/ ELASTOMER GASKET, PRESS FIT MOLEX INCORPORATED
	DRAFT WHERE APPLICABLE MUST REMAIN WITHIN DIMENSIONS	MATERIAL NO. 739270411	DOCUMENT NO. SD-73927-411	SHEET NO. 2 OF 5		
		SIZE D	THIS DRAWING CONTAINS INFORMATION THAT IS PROPRIETARY TO MOLEX INCORPORATED AND SHOULD NOT BE USED WITHOUT WRITTEN PERMISSION			

# PCB LAYOUT FOR SINGLE SIDE MOUNTING

CROSS-HATCHED AREA DENOTES  
COMPONENT AND TRACE KEEP-OUT  
(EXCEPT CHASSIS GROUND)



$\phi .041 \pm .002$  X31  
 $[1.05 \pm 0.05]$   
 $\phi .004 [A/B]$

$\phi .037 \pm .002$  X16  
 $[0.95 \pm 0.05]$   
 $\phi .004 [A/B]$   
SMALLER HOLE ON  
THESE FOUR ROWS ONLY

THIS AREA DENOTES  
COMPONENT KEEP-OUT  
(TRACES ALLOWED)

**NOTES:**

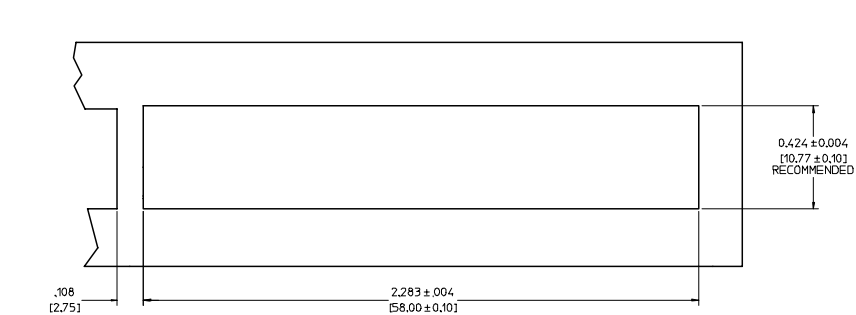
1. PADS AND VIAS GO TO CHASSIS GROUND. (34 PLACES).  
RECOMMENDED PADS TO BE 2mm SQUARE
2. PLATING OPTIONAL FOR THROUGH HOLES. (12 PLACES).
3. RECOMMENDED PLATING INCLUDES HASL, IMMERSION (GOLD, SILVER, OR TIN), AND OSP.
4. HOLE PATTERN REPEATS FOR EACH PORT.  
SPACING BETWEEN PORTS IS 5.61 [14.25]
5. CONNECTOR PAD LAYOUT PER SFP MSA. WILL ACCOMMODATE MOLEX CONNECTOR SERIES 74441 OR EQUIVALENT.

<b>ENTER DESCRIPTION</b> EC NO: UST2006-0079 DRAWN BY: JORWANKS/IMONSO 2004/01/17 CHECKED BY: CHFKBRUSSELL 2004/01/28 APPR: BRUSSELL 2004/01/25	<b>QUALITY SYMBOLS</b> ▽=0 ▽=0	<b>GENERAL TOLERANCES (UNLESS SPECIFIED)</b> <table border="1" style="width: 100%; border-collapse: collapse;"> <tr> <th></th> <th>mm</th> <th>INCH</th> </tr> <tr> <td>4 PLACES ±</td> <td>---</td> <td>±---</td> </tr> <tr> <td>3 PLACES ±</td> <td>---</td> <td>±.005</td> </tr> <tr> <td>2 PLACES ±</td> <td>0.13</td> <td>±.01</td> </tr> <tr> <td>1 PLACE ±</td> <td>0.25</td> <td>±---</td> </tr> <tr> <td colspan="3" style="text-align: center;">ANGULAR ± 1°</td> </tr> </table>		mm	INCH	4 PLACES ±	---	±---	3 PLACES ±	---	±.005	2 PLACES ±	0.13	±.01	1 PLACE ±	0.25	±---	ANGULAR ± 1°			<b>DIMENSION STYLE</b> IN/MM	SCALE 6:1	DESIGN UNITS METRIC	THIRD ANGLE PROJECTION
		mm	INCH																					
	4 PLACES ±	---	±---																					
	3 PLACES ±	---	±.005																					
2 PLACES ±	0.13	±.01																						
1 PLACE ±	0.25	±---																						
ANGULAR ± 1°																								
DRAFT WHERE APPLICABLE MUST REMAIN WITHIN DIMENSIONS		DRAWN BY: KS IMONSO 2004/03/22 CHECKED BY: BRUSSELL 2004/03/22 APPROVED BY: BRUSSELL 2004/03/22		TITLE 1X4 SFP GANGED CAGE ASSEMBLY W/ ELASTOMER GASKET, PRESS FIT																				
MATERIAL NO: 739270411		DOCUMENT NO: SD-73927-411		MOLEX INCORPORATED																				
SIZE D		THIS DRAWING CONTAINS INFORMATION THAT IS PROPRIETARY TO MOLEX INCORPORATED AND SHOULD NOT BE USED WITHOUT WRITTEN PERMISSION																						

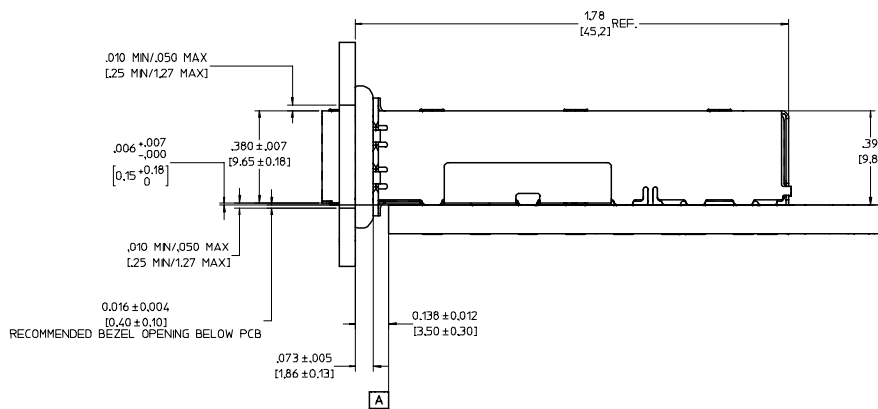
20 19 18 17 16 15 14 13 12 11 10 9 8 7 6 5 4 3 2 1

M  
L  
K  
J  
I  
H  
G  
F  
E  
D  
C  
B  
A

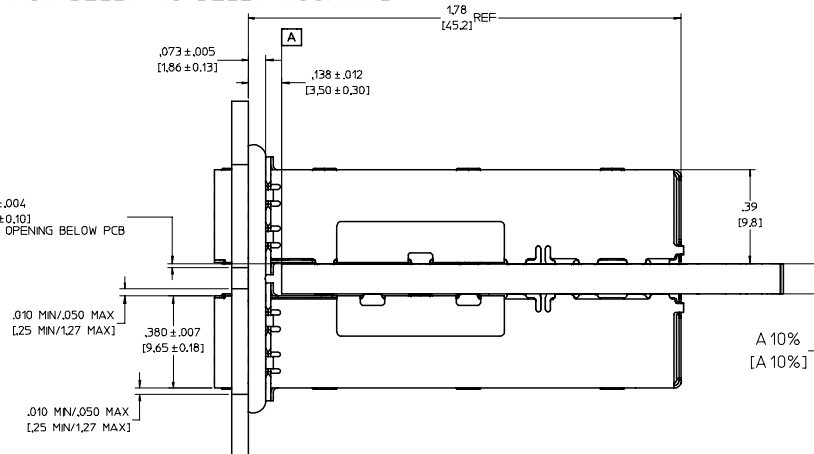
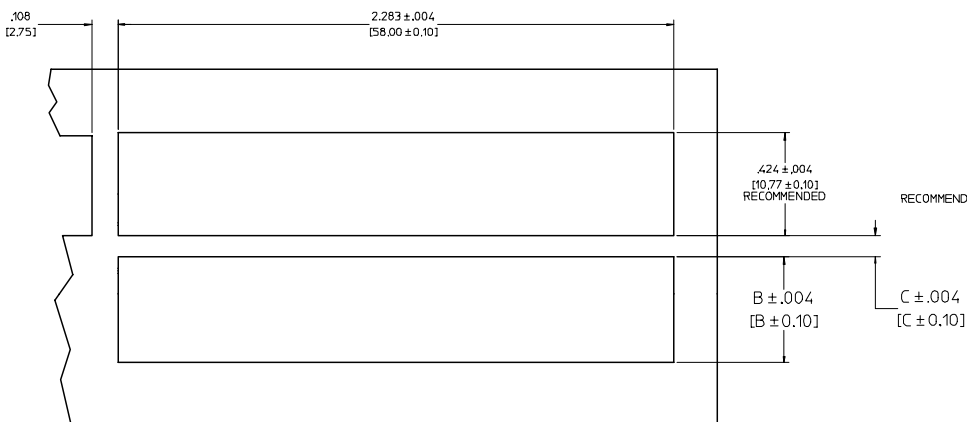
M  
L  
K  
J  
I  
H  
G  
F  
E  
D  
C  
B  
A



BEZEL AND BOARD POSITION DIMENSIONS FOR SINGLE SIDE MOUNTING



BEZEL AND BOARD POSITION DIMENSIONS FOR BELLY TO BELLY MOUNTING



NOTE: FOR A GIVEN BOARD THICKNESS (A), DIMENSIONS (B) AND (C) ARE DIRECTLY AFFECTED.

USE RECOMMENDED DIMENSIONS AND TOLERANCES TO AID IN DEVELOPING BEZEL OPENING.

FOR EXAMPLE USING A BOARD THICKNESS OF .125" THE RECOMMENDED VALUES WOULD BE:

- A = .125 / 3.18 ± 10%
- B = .434 / 11.03 ± .004
- C = .088 / 2.23 ± .004

<b>ENTER DESCRIPTION</b> EC NO: UST2006-0079 DRAWN BY: DRWANKS/IMONSO 2006/01/17 CHECKED BY: CHKCD/RUSSELL 2006/01/28 APPR: BRUSSELL 2006/01/25	QUALITY SYMBOLS	GENERAL TOLERANCES (UNLESS SPECIFIED)	DIMENSION STYLE	SCALE	DESIGN UNITS	THIRD ANGLE PROJECTION
	▽=0 ▽=0	mm INCH	IN/MM	4:1	METRIC	
	4 PLACES ± --- ± --- 3 PLACES ± --- ± .005 2 PLACES ± 0.13 ± .01 1 PLACE ± 0.25 ± --- ANGULAR ± 1 °	DRAWN BY: KS IMONSO 2004/03/22 CHECKED BY: BRUSSELL 2004/03/22 APPROVED BY: BRUSSELL 2004/03/22	DATE	DATE	DATE	TITLE
	DRAFT WHERE APPLICABLE MUST REMAIN WITHIN DIMENSIONS	MATERIAL NO: 739270411 DOCUMENT NO: SD-73927-411	DATE	DATE	DATE	1X4 SFP GANGED CAGE ASSEMBLY W/ ELASTOMER GASKET, PRESS FIT MOLEX INCORPORATED
REV	DESCRIPTION	SIZE	THIS DRAWING CONTAINS INFORMATION THAT IS PROPRIETARY TO MOLEX INCORPORATED AND SHOULD NOT BE USED WITHOUT WRITTEN PERMISSION		SHEET NO.	
		D			4 OF 5	

19 18 17 16 15 14 13 12 11 10 9 8 7 6 5 4 3 2 1

20 19 18 17 16 15 14 13 12 11 10 9 8 7 6 5 4 3 2 1

M

L

K

J

I

H

G

F

E

D

C

B

A

M

L

K

J

I

H

G

F

E

D

C

B

A

DATE	REV	CHANGES	COMMENTS
11/01/2003	1	PRELIMINARY DOCUMENT	N/A
03/08/2004	A	INITIAL RELEASE	N/A
10/09/2004	B	UPDATED VIEWS	DOCUMENT CHANGE ONLY
10/07/2005	C	ADDED PCB AND BEZEL LAYOUT. UPDATED NOTES.	DOCUMENT CHANGE ONLY

<b>ENTER DESCRIPTION</b> EC NO: UST2006-0079 DRWNS:IMONSON 2006/01/17 CHKCD:BRUSSELL 2006/01/28 APPR:BRUSSELL 2006/01/28	QUALITY SYMBOLS ▽=0 ▽=0	GENERAL TOLERANCES (UNLESS SPECIFIED)		DIMENSION STYLE IN/MM		SCALE 1:1	DESIGN UNITS METRIC	THIRD ANGLE PROJECTION
		4 PLACES ± --- ± --- 3 PLACES ± --- ± .005 2 PLACES ± 0.13 ± .01 1 PLACE ± 0.25 ± --- ANGULAR ± 1 °	mm INCH mm INCH	DRAWN BY KS IMONSON	DATE 2004/03/22	TITLE 1X4 SFP GANGED CAGE ASSEMBLY W/ ELASTOMER GASKET, PRESS FIT		
DRAFT WHERE APPLICABLE MUST REMAIN WITHIN DIMENSIONS	SIZE D	MATERIAL NO. 739270411		APPROVED BY BRUSSELL		DATE 2004/03/22		MOLEX INCORPORATED
		DOCUMENT NO. SD-73927-411		SHEET NO. 5 OF 5		THIS DRAWING CONTAINS INFORMATION THAT IS PROPRIETARY TO MOLEX INCORPORATED AND SHOULD NOT BE USED WITHOUT WRITTEN PERMISSION		

19 18 17 16 15 14 13 12 11 10 9 8 7 6 5 4 3 2 1