

THIS DRAWING IS UNPUBLISHED.

RELEASED FOR PUBLICATION

ALL RIGHTS RESERVED.

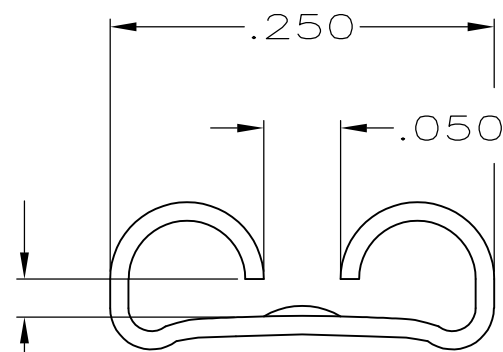
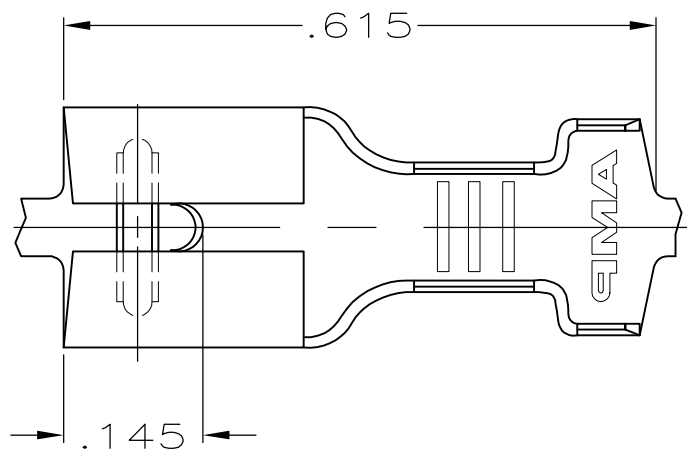
© COPYRIGHT - By -

LOC AF DIST 50

REVISIONS

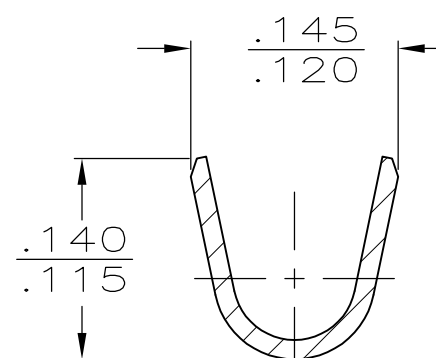
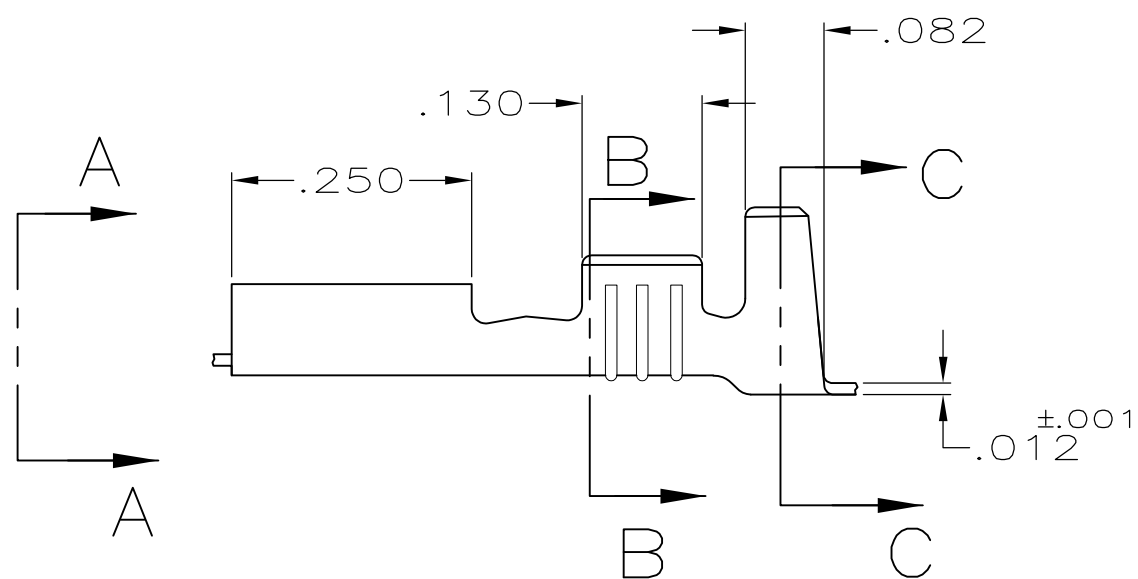
P	LTR	DESCRIPTION	DATE	DWN	APVD
	N	REVISED PER ECR-12-013445	09NOV12	KH	PD

1 CONTINUOUS STRIP ON REELS

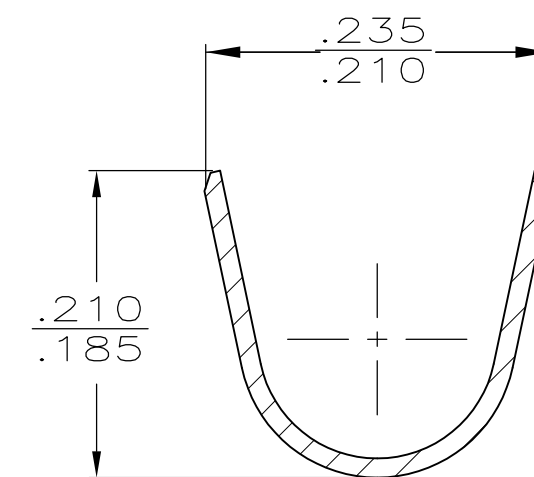


FITS .205 SERIES FASTON TAB

VIEW A-A SCALE 8:1



SECTION B-B SCALE 8:1



SECTION C-C SCALE 8:1

OBSOLETE	.130-.180	18-14	TIN	.020	42713-2
	.130-.180	18-14	-		<del>42713-1</del>
	INSUL RANGE	WIRE SIZE	FINISH	MATING TAB THK ±.001	PART NUMBER

THIS DRAWING IS A CONTROLLED DOCUMENT.		DWN JR RUTH 6/22/89	<b>TE Connectivity</b> RECEPTACLE, FASTON, .205 SERIES				
DIMENSIONS: INCHES		CHK P FORTNEY 6/22/89					
TOLERANCES UNLESS OTHERWISE SPECIFIED:		APVD C MEYERS 6/22/89					
0 PLC ± - 1 PLC ± - 2 PLC ± - 3 PLC ± .015 4 PLC ± - ANGLES ± -		PRODUCT SPEC -					
MATERIAL BRASS		FINISH SEE TABLE	APPLICATION SPEC -	SIZE A3	CAGE CODE 00779	DRAWING NO C-42713	RESTRICTED TO -
CUSTOMER DRAWING			WEIGHT -	SCALE 5:1	SHEET 1 OF 1	REV N	