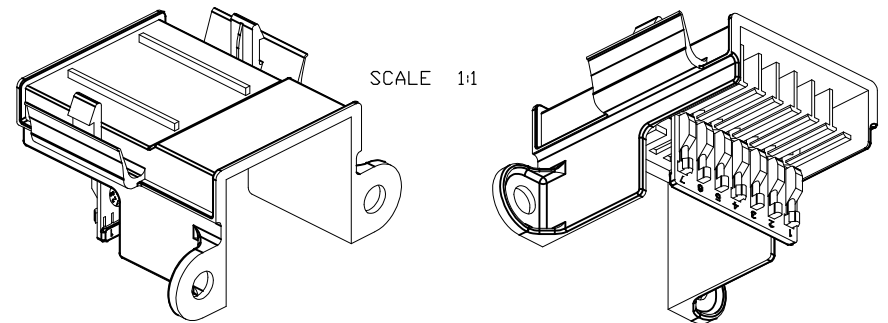
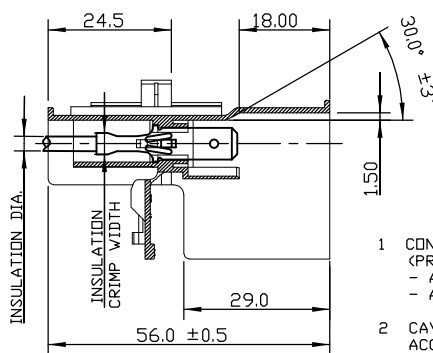
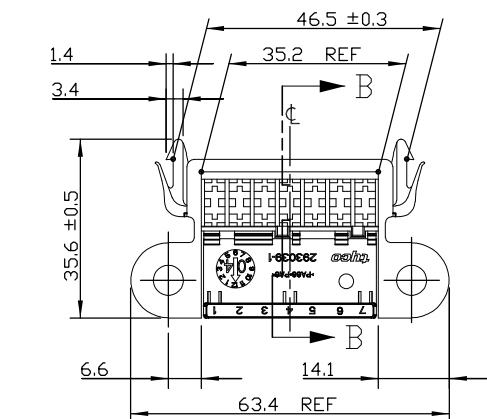
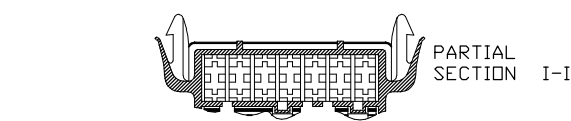
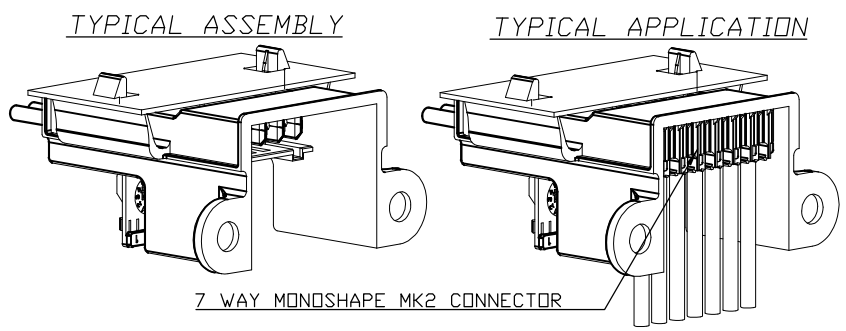
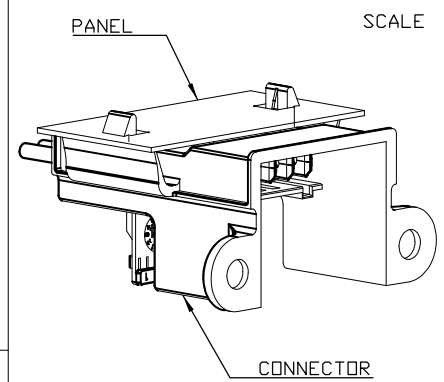
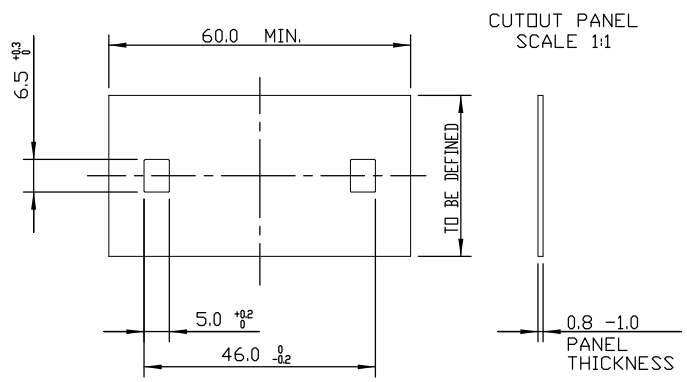


THIS DRAWING IS UNPUBLISHED. RELEASED FOR PUBLICATION 2004
 © COPYRIGHT 2004 BY TYCO ELECTRONICS CORPORATION. ALL RIGHTS RESERVED.

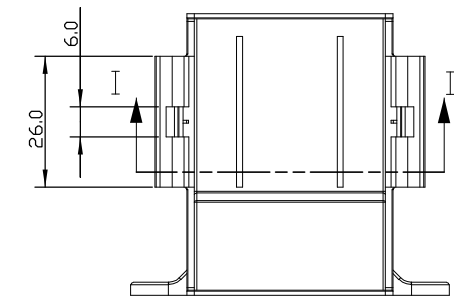
LOC		DIST		REVISIONS		
P	LTR	DESCRIPTION	DATE	DWN	APVD	
I	-					
B3	REVISED	- ADDED P/N 293039-2	10JAN2006	D.C.	G.T.	
C	P/N 293039-2	RELEASED	16JUN2006	D.C.	G.T.	
C1	ECR-10-022530		07JAN11	KK	HMR	



- CONNECTOR HOUSING SUITABLE FOR MATING WITH:
 (PROPERLY CODED WITH RELEVANT APPLICATION MACHINE)
 - AMP MONDOSHAP Mark II TAB CONNECTOR, P/N x-284477-2
 - AMP MONDOSHAP Mark I TAB CONNECTOR, P/N 1-293004-7
- CAVITIES SUITABLE FOR .250" SERIES FASTIN-ON TAB CONTACT
 ACCORDING TO NORM "DIN 46 343"
 MAX INS. DIA: 2.8 mm; MAX INS. CRIMP WIDTH: 3.3 mm
 (E.G. TE P/N 293041-2)

3 OBSOLETE

PA UNFILLED ACCORDING TO UL94-V2, GW 750°C NO FLAME, COLOUR NATURAL	293039-2	C
PA66/6 UNFILLED ACCORDING TO UL94-V0 COLOUR NATURAL	3 293039-1	B
MATERIAL	P/N	REV.



THE PRESENTED PRODUCT / DESIGN WILL BE RELEASED FOR THE MANUFACTURING OF THE NECESSARY PRODUCTION TOOLS HEREBY. FURTHER CHANGES HAS TO BE PAID BY CUSTOMER.
 DATE, SIGN OF THE CUSTOMER

THIS DRAWING IS A CONTROLLED DOCUMENT FOR TYCO ELECTRONICS CORPORATION. IT IS SUBJECT TO CHANGE AND THE CONTROLLING ENGINEERING ORGANIZATION SHOULD BE CONTACTED FOR THE LATEST REVISION.

DIMENSIONS:	TOLERANCES UNLESS OTHERWISE SPECIFIED:
mm	
0 PLC	±0.5
1 PLC	±0.3
2 PLC	±0.1
3 PLC	±
4 PLC	±
ANGLES	±1°
MATERIAL	FINISH
SEE TABLE	-

DWN D. CHIARELLI	10DEC2004	STE TE Connectivity	NAME 7 POS. F.F. TAB HOUSING MOTOR MOUNT, WITH WATER PROTECTION
CHK G. TURCO	10DEC2004		
APVD G. TURCO	10DEC2004	SIZE A3	CAGE CODE 00779
PRODUCT SPEC		DRAWING NO C=293039	RESTRICTED TO -
APPLICATION SPEC		SCALE 1:1	SHEET 1 OF 1
WEIGHT 13,2 g (ESTIMATED)			REV C1
CUSTOMER DRAWING			