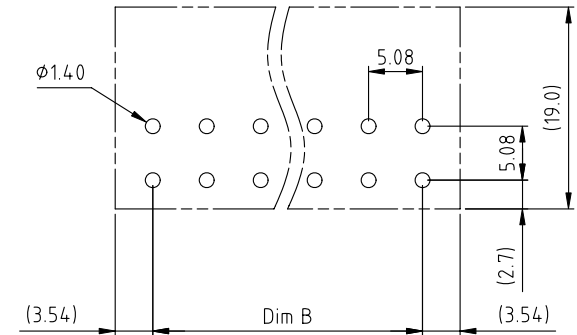
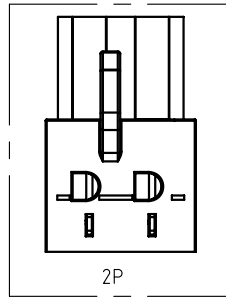
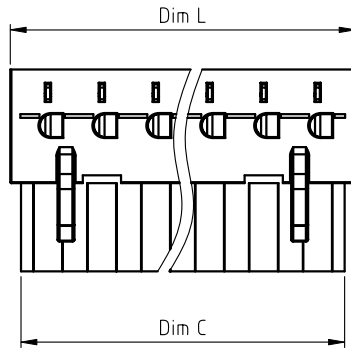
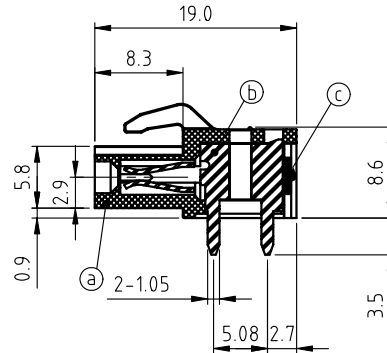
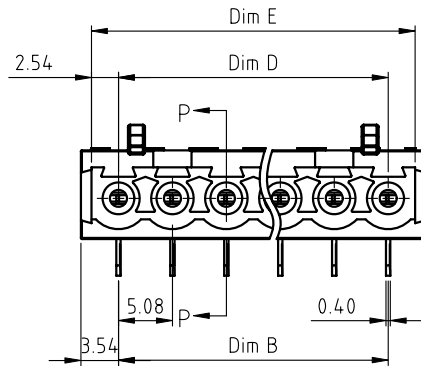


PRODUCT NUMBER	PITCH
V7xx51x100J0G	5.08 mm



RECOMMENDED P.C.B LAYOUT
TOP VIEW



SECTION P-P

Material:

- Item Ⓐ Terminal body: Thermoplastic (UL94V-0)
- Item Ⓑ Female contact: High conductivity copper, Tin plated
- Item Ⓒ Terminal cover: Thermoplastic (UL94V-0)

Electrical cULus

- Voltage rating: 300VAC
- Current rating: 20A
- Withstanding Voltage: 1.6kv
- Operating temperature: -40°C to +115°C
- Soldering temperature: 260°C±5°C/5 Sec
- Safety Approval:

N=Number of poles
 Dim L=(N-1)×5.08+7.08
 Dim B=(N-1)×5.08
 Dim C=N×5.08
 Dim D=(N-1)×5.08
 Dim E=(N-1)×5.08+5.08

PART NO.: V7 xx 5 1 x 1 00J0 G

Solid block	0	Color	0	Black (RAL9005)	RoHS compliant
No. of poles	2		2	Red (RAL3001/D)	(lead<4%)
02 2poles	3		3	Orange(RAL2011/P)	In copper Alloy
03 3poles	4		4	Yellow(RAL1018/A)	
... ..	5		5	Green(RAL6018/T)	
24 24poles	6		6	Blue (RAL5015/A)	
	8		8	Grey(RAL7035/D)	
	9		9	White(RAL1102)	
	C		C	Green(RAL6018/U)	

POLES	Tolerance	
	Dim L,B,D,E	Dim C
2-6p	±0.15	0 -0.20
7-12p	±0.25	
13-18p	±0.30	0 -0.40
19-24p	±0.40	

mat'l. code		surface ASME Y14.5	tolerance ASME Y14.5	projection 	product family TERMINAL BLOCK
ltr	ecn no	dr	date	tolerances unless otherwise specified	title TERMINAL BLOCK
				angles 	PLUGGABLE PCB PLUG,RIGHT ANGLE
				X°±1°	scale
				dr	MM
				enr	FCI
				chr	dwg no
				appd	sheet 1 of 1
					size
					V7xx51x100J0G
					A4
					type
					CUSTOMER Drawing
sheet index	revision	A			
	sheet	1			