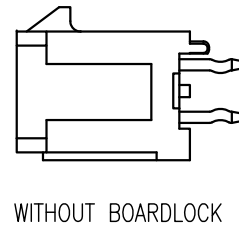
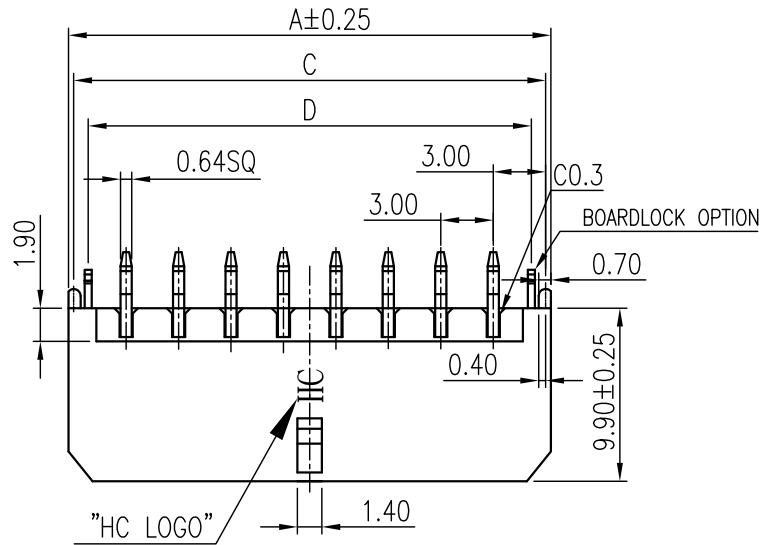


This document is the property of Amphenol Corporation and is delivered on the express condition that is not to be disclosed, reproduced or used, in whole or in part, for manufacture or sale by anyone other than Amphenol Corporation without its prior consent, and that no right is granted to disclose or to use any information in this document.

The marking on this product doesn't contain environmental hazardous materials per Material Specification 55-00259 for Sony GP compliant or per directive 2011/65/EU for RoHS compliant.

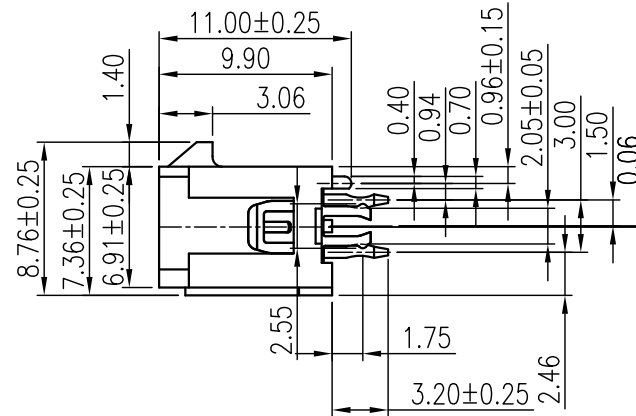
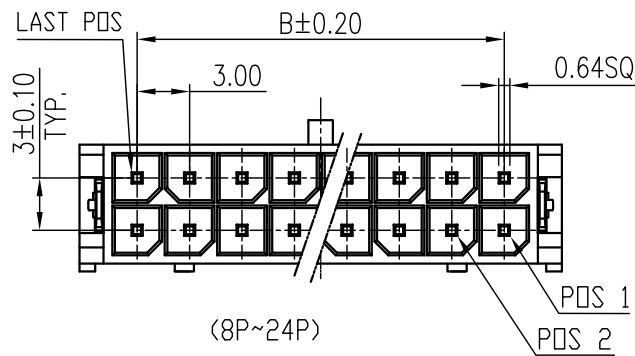
**FOR REFERENCE ONLY**

| REVISIONS |          |                        |            |            |
|-----------|----------|------------------------|------------|------------|
| SYM       | ECN No.  | DESCRIPTION            | DATE       | APPROVED   |
| A         | NE-14124 | RELEASE FOR RoHS       | 06/24/2014 | Arron Lin  |
| BX1       |          | ADD LCP NATURAL OPTION | 01/08/2014 | Arron Lin  |
| BX2       |          | ADDED BOARDLOCK OPTION | 03/24/2015 | Roger Tsai |



**NOTE:**

- 1.MATERIAL**  
INSULATOR: HIGH TEMP. THERMOPLASTIC, LCP, UL 94V-0, COLOR BLACK  
CONTACT MATERIAL: HIGH PERFORMANCE COPPER ALLOY.  
BOARDLOCK: COPPER ALLOY.
- 2.FINISH:**  
CONTACT: SELECTIVE PLATING. ;  
SOLDERING AREA: MATTE TIN 100u" MIN. OR GOLD PLATING;  
UNDER PLATING: NICKEL PLATING 50 u" THICKNESS MIN.OVERALL.  
BOARDLOCK:  
MATTE TIN 100u" MIN. PLATING;  
UNDER PLATING: NICKEL PLATING 50 u" THICKNESS MIN.OVERALL.
- 4.THIS PRODUCT DOESN'T ENVIRONMENTAL HAZARDOUS**  
MATERIALS PER DIRECTIVE 2011/65/EU FOR RoHS.
- 5.APPLICABLE P.C.BOARD THICKNESS: 1.60mm**
- 6.PRODUCT SPECIFICATION REFER TO : PS-7528**
- 7.PACKING MUST BE PER AMPHENOL PACKING SPECIFICATION**
- 8.TO ENSURE CURRENT RATING CAPABILITY, AMPHENOL HIGH CURRENT PART NUMBERS IN THE CHART ARE RECOMMENDED.**  
(G88MPH CABLE HOUSING SERIES WITH G88MPC CABLE TERMINAL SERIES)



| POS | A     | B     | C     | D    |
|-----|-------|-------|-------|------|
| 02  | 6.60  |       | 6.00  | 4.3  |
| 04  | 9.60  | 3.00  | 9.00  | 7.3  |
| 06  | 12.60 | 6.00  | 12.00 | 10.3 |
| 08  | 15.60 | 9.00  | 15.00 | 13.3 |
| 10  | 18.60 | 12.00 | 18.00 | 16.3 |
| 12  | 21.60 | 15.00 | 21.00 | 19.3 |
| 14  | 24.60 | 18.00 | 24.00 | 22.3 |
| 16  | 27.60 | 21.00 | 27.00 | 25.3 |
| 18  | 30.60 | 24.00 | 30.00 | 28.3 |
| 20  | 33.60 | 27.00 | 33.00 | 31.3 |
| 22  | 36.60 | 30.00 | 36.00 | 34.3 |
| 24  | 39.60 | 33.00 | 39.00 | 37.3 |

PART NO. G88MPXX1XXXEU

No. OF CIRCUIT

CONTACT FINISH

0: MATTE TIN (OVERALL)  
UNDER PLATING NICKEL  
50 u" THICKNESS MIN

1: FLASH GOLD (OVERALL)

2: 15 u" GOLD

3: 30 u" GOLD

BOARDLOCK OPTION

K: WITH BOARDLOCK

M: WITHOUT BOARDLOCK

COLOR OF INSULATOR OPTION

1: LCP(NATURAL)

2: LCP (BLACK)

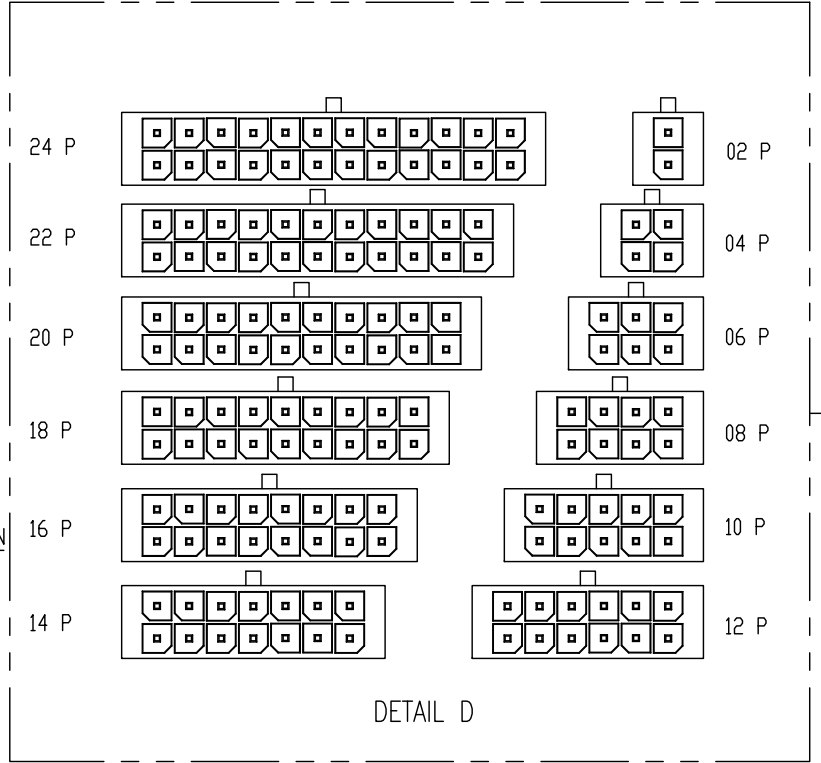
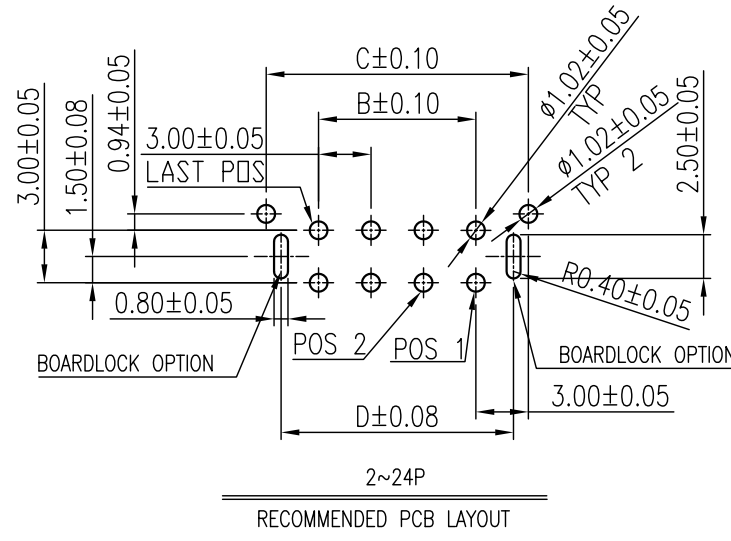
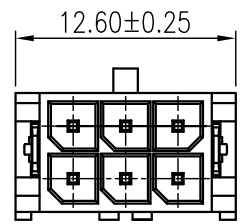
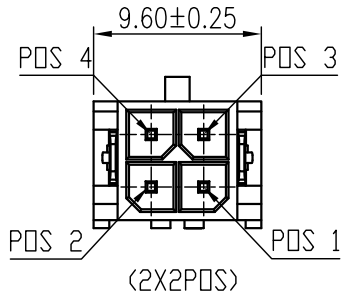
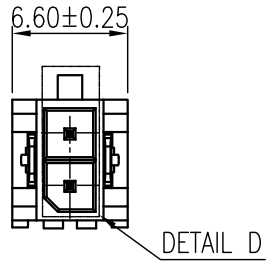
| TOLERANCE                                    | APPROVALS           | DATE             | TITLE  | UNIT     | SIZE         | PART No.              |
|--|---------------------|------------------|--|----------|--------------|-----------------------|
| X.<br>X.X ±0.30<br>X.XX ±0.20<br>X.XXX ±0.10 | DRAWN Aqua Chou     | 03/24/2015       | G88MP SERIES MICRO POWER PLUS, WAFER 3.00 MM PITCH STRAIGHT DIP, W/KINK BLOCK (TRAY PACKING) | mm       | A3           | G88MPXX1XXXEU         |
|  | CHECKED Roger Tsai  | 03/24/2015       |  |          |              |                       |
|  | APPROVED Roger Tsai | 03/24/2015       |  |          |              |                       |
| ANGULAR ±1°                                  | DWG TYPE CUST DWG   | PROJECT CODE PHD |  | SCALE NA | SHEET 1 OF 4 | DWG No. G88MPXX1XXXEU |
| UNLESS OTHERWISE SPECIFIED                   |                     |                  |  |          |              | REV. BX2              |

This document is the property of Amphenol Corporation and is delivered on the express condition that is not to be disclosed, reproduced or used, in whole or in part, for manufacture or sale by anyone other than Amphenol Corporation without its prior consent, and that no right is granted to disclose or to use any information in this document.

The marking on this product doesn't contain environmental hazardous materials per Material Specification 55-00259 for Sony GP compliant or per directive 2011/65/EU for RoHS compliant.

**FOR REFERENCE ONLY**

| REVISIONS |          |                        |            |            |
|-----------|----------|------------------------|------------|------------|
| SYM       | ECN No.  | DESCRIPTION            | DATE       | APPROVED   |
| A         | NE-14124 | RELEASE FOR RoHS       | 06/24/2014 | Arron Lin  |
| BX1       |          | ADD LCP NATURAL OPTION | 01/08/2014 | Arron Lin  |
| BX2       |          | ADDED BOARDLOCK OPTION | 03/24/2015 | Roger Tsai |



| TOLERANCE |       | APPROVALS                  |            | DATE       | TITLE  |      | PART No.   |        |               |         |      |
|-----------|-------|----------------------------|------------|------------|--|------|--|--------|---------------|---------|------|
| X.        |       | DRAWN                      | Aqua Chou  | 03/24/2015 | G88MP SERIES MICRO POWER PLUS, WAFER 3.00 MM PITCH STRAIGHT DIP, W/KINK BLOCK (TRAY PACKING) |      | Amphenol <sup>®</sup><br>Amphenol Corporation<br>Amphenol Taiwan Corporation |        |               |         |      |
| X.X       | ±0.30 | CHECKED                    | Roger Tsai | 03/24/2015 |  |      |  |        |               |         |      |
| X.XX      | ±0.20 | APPROVED                   | Roger Tsai | 03/24/2015 |  |      |  |        |               |         |      |
| X.XXX     | ±0.10 | UNLESS OTHERWISE SPECIFIED |            | DWG TYPE   | PROJECT CODE   | UNIT | SCALE  | SIZE   | SHEET         | DWG No. | REV. |
| ANGULAR   | ±1°   | CUST DWG                   |            | PHD        | mm   | NA   | A3   | 2 OF 4 | G88MPXX1XXXEU | BX2     |      |

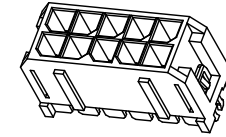
This document is the property of Amphenol Corporation and is delivered on the express condition that is not to be disclosed, reproduced or used, in whole or in part, for manufacture or sale by anyone other than Amphenol Corporation without its prior consent, and that no right is granted to disclose or to use any information in this document.

The marking on this product doesn't contain environmental hazardous materials per Material Specification 55-00259 for Sony GP compliant or per directive 2011/65/EU for RoHS compliant.

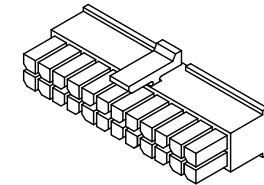
**FOR REFERENCE ONLY**

| REVISIONS |          |                        |            |            |
|-----------|----------|------------------------|------------|------------|
| SYM       | ECN No.  | DESCRIPTION            | DATE       | APPROVED   |
| A         | NE-14124 | RELEASE FOR RoHS       | 06/24/2014 | Arron Lin  |
| BX1       |          | ADD LCP NATURAL OPTION | 01/08/2014 | Arron Lin  |
| BX2       |          | ADDED BOARDLOCK OPTION | 03/24/2015 | Roger Tsai |

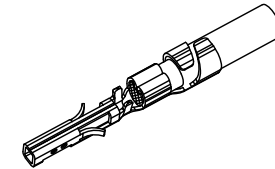
| POS. | BOARD-MOUNT P/N | CABLE HOUSING P/N | CABLE TERMINAL P/N | AWG NO.   | PLATING OPTIONS              |
|------|-----------------|-------------------|--------------------|-----------|------------------------------|
| 02   | G88MP021XXXEU   | G88MPH0222CEU     | G88MPCX232CEU      | AWG#16~18 | 0: TIN 100u" ; 1: FLASH GOLD |
|      |                 |                   | G88MPCX332CEU      | AWG#20~30 | 2: 15u" GOLD ; 3: 30u" GOLD  |
| 04   | G88MP041XXXEU   | G88MPH0422CEU     | G88MPCX232CEU      | AWG#16~18 | 0: TIN 100u" ; 1: FLASH GOLD |
|      |                 |                   | G88MPCX332CEU      | AWG#20~30 | 2: 15u" GOLD ; 3: 30u" GOLD  |
| 06   | G88MP061XXXEU   | G88MPH0622CEU     | G88MPCX232CEU      | AWG#16~18 | 0: TIN 100u" ; 1: FLASH GOLD |
|      |                 |                   | G88MPCX332CEU      | AWG#20~30 | 2: 15u" GOLD ; 3: 30u" GOLD  |
| 08   | G88MP081XXXEU   | G88MPH0822CEU     | G88MPCX232CEU      | AWG#16~18 | 0: TIN 100u" ; 1: FLASH GOLD |
|      |                 |                   | G88MPCX332CEU      | AWG#20~30 | 2: 15u" GOLD ; 3: 30u" GOLD  |
| 10   | G88MP101XXXEU   | G88MPH1022CEU     | G88MPCX232CEU      | AWG#16~18 | 0: TIN 100u" ; 1: FLASH GOLD |
|      |                 |                   | G88MPCX332CEU      | AWG#20~30 | 2: 15u" GOLD ; 3: 30u" GOLD  |
| 12   | G88MP121XXXEU   | G88MPH1222CEU     | G88MPCX232CEU      | AWG#16~18 | 0: TIN 100u" ; 1: FLASH GOLD |
|      |                 |                   | G88MPCX332CEU      | AWG#20~30 | 2: 15u" GOLD ; 3: 30u" GOLD  |
| 14   | G88MP141XXXEU   | G88MPH1422CEU     | G88MPCX232CEU      | AWG#16~18 | 0: TIN 100u" ; 1: FLASH GOLD |
|      |                 |                   | G88MPCX332CEU      | AWG#20~30 | 2: 15u" GOLD ; 3: 30u" GOLD  |
| 16   | G88MP161XXXEU   | G88MPH1622CEU     | G88MPCX232CEU      | AWG#16~18 | 0: TIN 100u" ; 1: FLASH GOLD |
|      |                 |                   | G88MPCX332CEU      | AWG#20~30 | 2: 15u" GOLD ; 3: 30u" GOLD  |
| 18   | G88MP181XXXEU   | G88MPH1822CEU     | G88MPCX232CEU      | AWG#16~18 | 0: TIN 100u" ; 1: FLASH GOLD |
|      |                 |                   | G88MPCX332CEU      | AWG#20~30 | 2: 15u" GOLD ; 3: 30u" GOLD  |
| 20   | G88MP201XXXEU   | G88MPH2022CEU     | G88MPCX232CEU      | AWG#16~18 | 0: TIN 100u" ; 1: FLASH GOLD |
|      |                 |                   | G88MPCX332CEU      | AWG#20~30 | 2: 15u" GOLD ; 3: 30u" GOLD  |
| 22   | G88MP221XXXEU   | G88MPH2222CEU     | G88MPCX232CEU      | AWG#16~18 | 0: TIN 100u" ; 1: FLASH GOLD |
|      |                 |                   | G88MPCX332CEU      | AWG#20~30 | 2: 15u" GOLD ; 3: 30u" GOLD  |
| 24   | G88MP241XXXEU   | G88MPH2422CEU     | G88MPCX232CEU      | AWG#16~18 | 0: TIN 100u" ; 1: FLASH GOLD |
|      |                 |                   | G88MPCX332CEU      | AWG#20~30 | 2: 15u" GOLD ; 3: 30u" GOLD  |



AMPHENOL BOARD-MOUNT



AMPHENOL CABLE HOUSING



AMPHENOL CABLE TERMINAL

NOTE:  
TO ENSURE CURRENT RATING CAPABILITY,  
AMPHENOL HIGH CURRENT PART NUMBERS IN THE  
CHART ARE RECOMMENDED.

(G88MPH CABLE HOUSING SERIES WITH G88MPC  
CABLE TERMINAL SERIES)

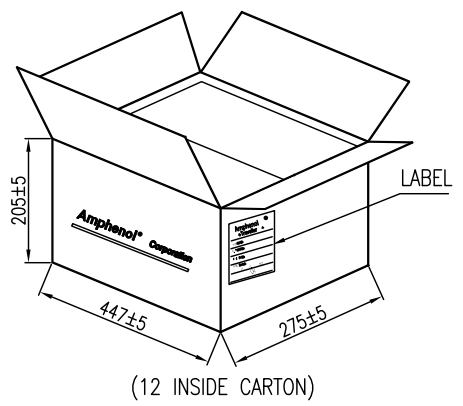
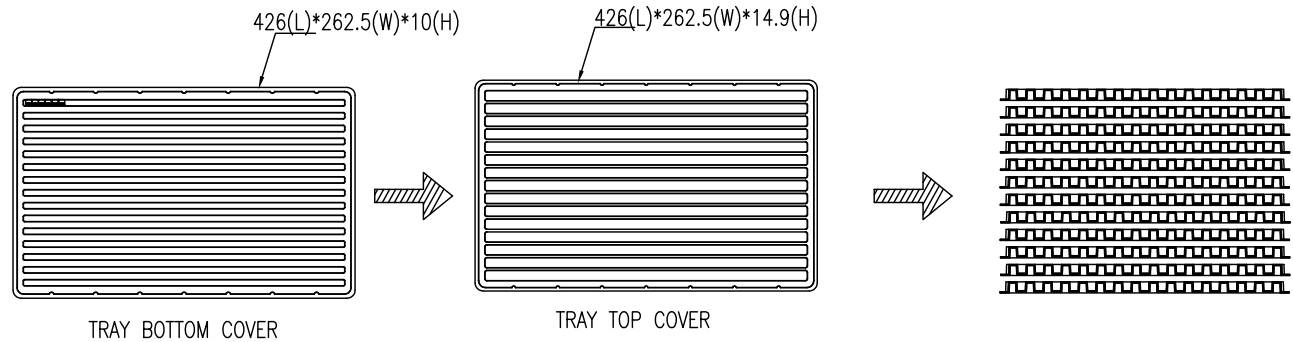
|                            |       |           |            |            |              |  |  |    |  |        |          |               |      |     |
|----------------------------|-------|-----------|------------|------------|--------------|--|--|----|--|--------|----------|---------------|------|-----|
| TOLERANCE                  |       | APPROVALS |            | DATE       | TITLE        |  | G88MP SERIES MICRO POWER PLUS, WAFER 3.00 MM PITCH STRAIGHT DIP, W/KINK BLOCK (TRAY PACKING) |    | Amphenol <sup>®</sup><br>Amphenol Corporation<br>Amphenol Taiwan Corporation |        |          |               |      |     |
| X.                         |       | DRAWN     | Aqua Chou  | 03/24/2015 |              |  | UNIT   | mm | SIZE   | A3     | PART No. | G88MPXX1XXXEU |      |     |
| X.X                        | ±0.30 | CHECKED   | Roger Tsai | 03/24/2015 |              |  | SCALE  | NA | SHEET  | 3 OF 4 | DWG No.  | G88MPXX1XXXEU | REV. | BX2 |
| X.XXX                      | ±0.20 | APPROVED  | Roger Tsai | 03/24/2015 |              |  |  |    |  |        |          |               |      |     |
| X.XXX                      | ±0.10 |           |            |            |              |  |  |    |  |        |          |               |      |     |
| ANGULAR                    | ±1°   | DWG TYPE  |            | CUST DWG   | PROJECT CODE |  | PHD  |    |  |        |          |               |      |     |
| UNLESS OTHERWISE SPECIFIED |       |           |            |            |              |  |  |    |  |        |          |               |      |     |

This document is the property of Amphenol Corporation and is delivered on the express condition that is not to be disclosed, reproduced or used, in whole or in part, for manufacture or sale by anyone other than Amphenol Corporation without its prior consent, and that no right is granted to disclose or to use any information in this document.

The marking on this product doesn't contain environmental hazardous materials per Material Specification 55-00259 for Sony GP compliant or per directive 2011/65/EU for RoHS compliant.

**FOR REFERENCE ONLY**

| REVISIONS |          |                        |            |            |
|-----------|----------|------------------------|------------|------------|
| SYM       | ECN No.  | DESCRIPTION            | DATE       | APPROVED   |
| A         | NE-14124 | RELEASE FOR RoHS       | 06/24/2014 | Arron Lin  |
| BX1       |          | ADD LCP NATURAL OPTION | 01/08/2014 | Arron Lin  |
| BX2       |          | ADDED BOARDLOCK OPTION | 03/24/2015 | Roger Tsai |



| POS | PCS/TRAY | PCS/CARTON |
|-----|----------|------------|
| 02  | 900      | 10800      |
| 04  | 615      | 7380       |
| 06  | 465      | 5580       |
| 08  | 375      | 4500       |
| 10  | 315      | 3780       |
| 12  | 270      | 3240       |
| 14  | 240      | 2880       |
| 16  | 210      | 2520       |
| 18  | 180      | 2160       |
| 20  | 165      | 1980       |
| 22  | 150      | 1800       |
| 24  | 150      | 1800       |

NOTE:  
 1. MATERIAL : BLACK CONDUCTIVE POLYSTYRENE ALLOY  
 2. ALL DIMENSIONS MEET EIA-481-C REQUIREMENTS.  
 3. THICKNESS : 0.80±0.05mm.

|                            |                     |                  |  |  |  |              |                        |          |
|----------------------------|---------------------|------------------|--|--|--|--------------|------------------------|----------|
| TOLERANCE                  | APPROVALS           | DATE             | TITLE  |  | Amphenol <sup>®</sup><br>Amphenol Corporation<br>Amphenol Taiwan Corporation |              |                        |          |
| X. ±0.30                   | DRAWN Aqua Chou     | 03/24/2015       | G88MP SERIES MICRO POWER PLUS, WAFER 3.00 MM PITCH STRAIGHT DIP, W/KINK BLOCK (TRAY PACKING) |  | UNIT mm  | SIZE A3      | PART No. G88MPXX1XXXEU |          |
| X.X ±0.20                  | CHECKED Roger Tsai  | 03/24/2015       |  |  | SCALE NA   | SHEET 4 OF 4 | DWG No. G88MPXX1XXXEU  | REV. BX2 |
| X.XXX ±0.10                | APPROVED Roger Tsai | 03/24/2015       |  |  |  |              |                        |          |
| ANGULAR ±1°                | DWG TYPE CUST DWG   | PROJECT CODE PHD |  |  |  |              |                        |          |
| UNLESS OTHERWISE SPECIFIED |                     |                  |  |  |  |              |                        |          |