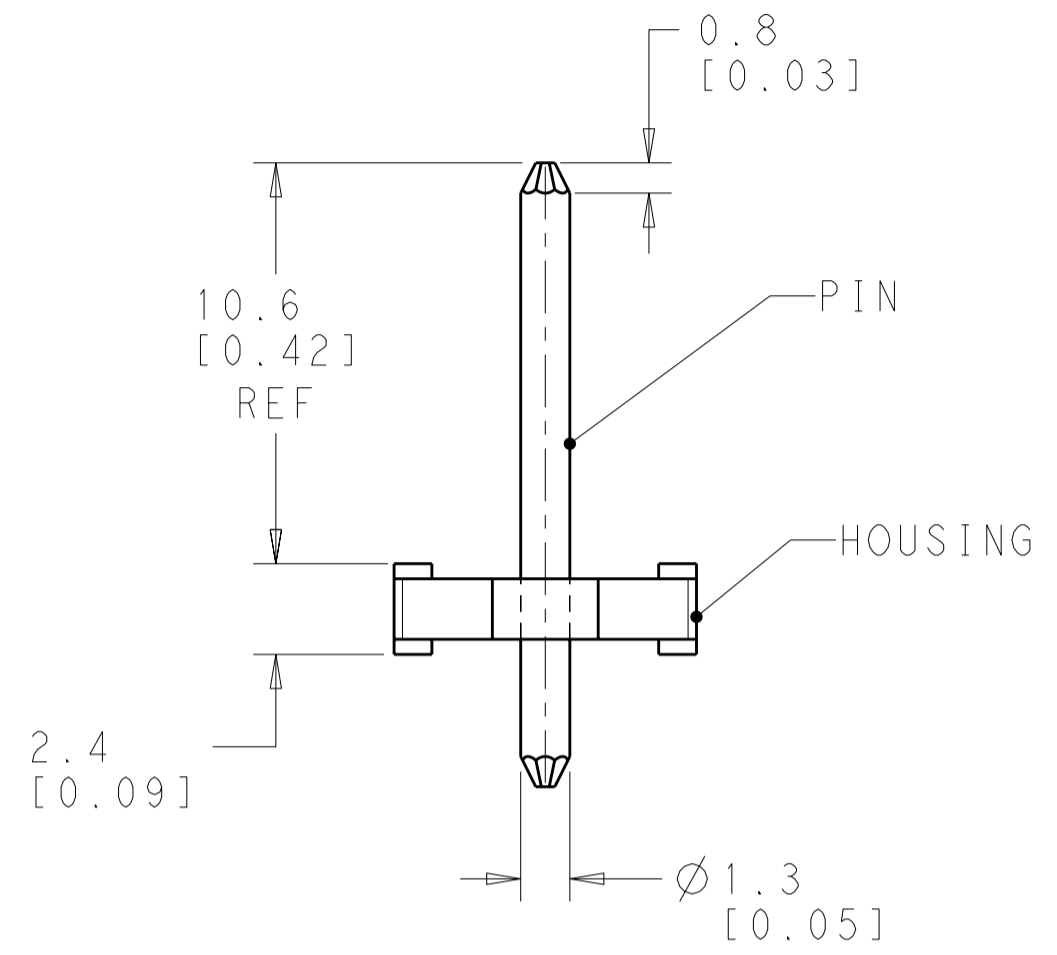
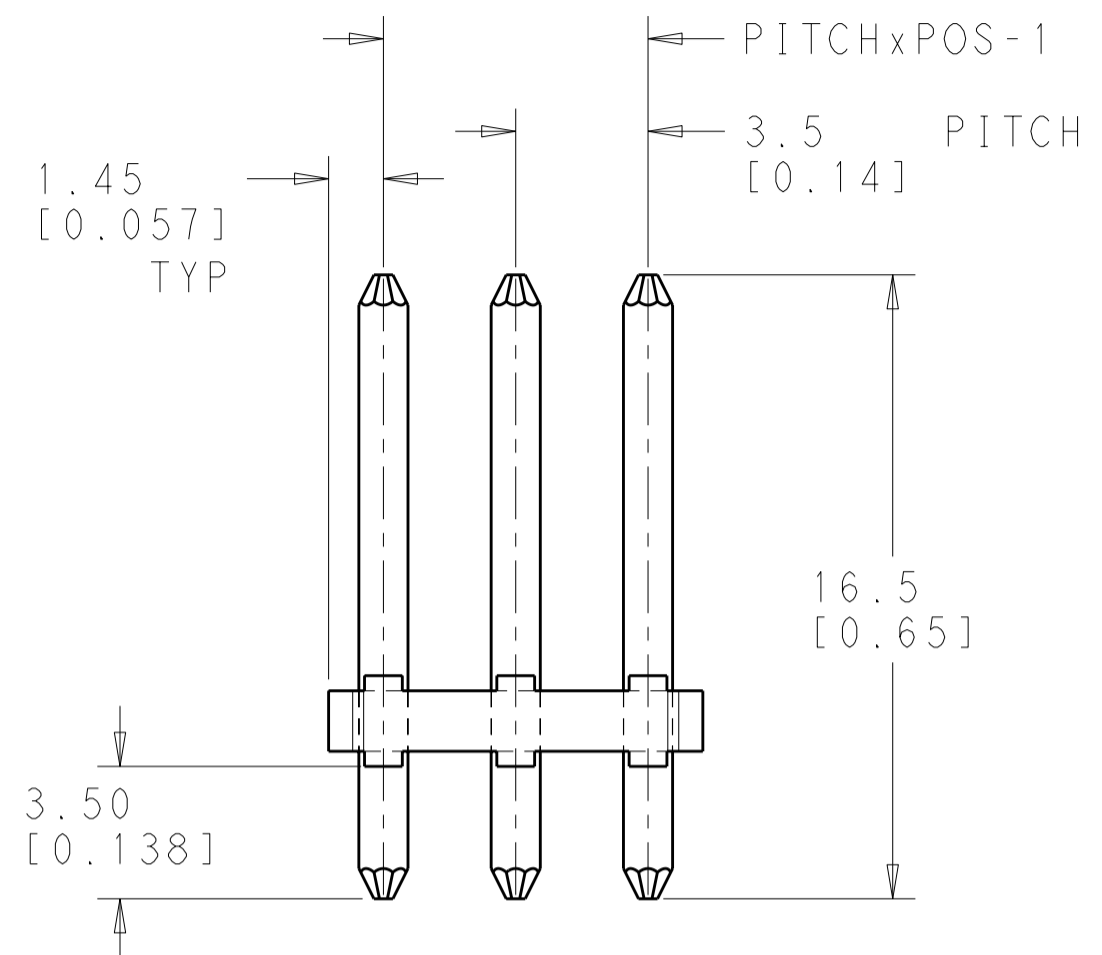


THIS DRAWING IS UNPUBLISHED. RELEASED FOR PUBLICATION 2011
 © COPYRIGHT 2011 ALL RIGHTS RESERVED.

LOC		DIST		REVISIONS			
P	LTR	DESCRIPTION	DATE	DWN	APVD		
	B2	REVISED PER ECO-12-011409	20JUN2012	KH	MS		

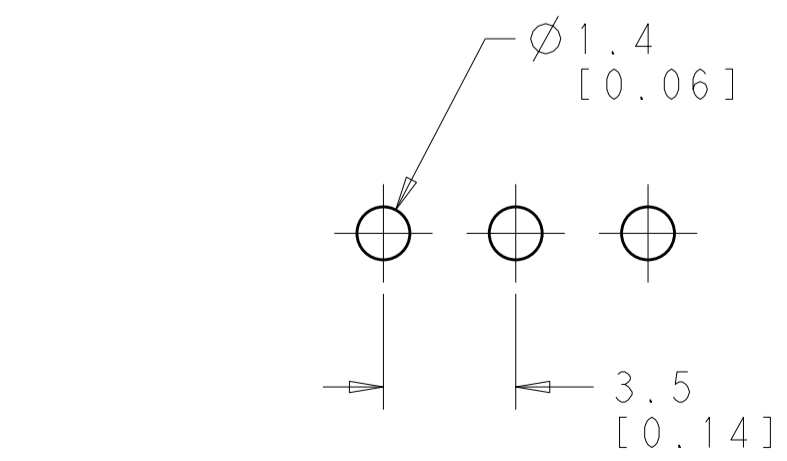
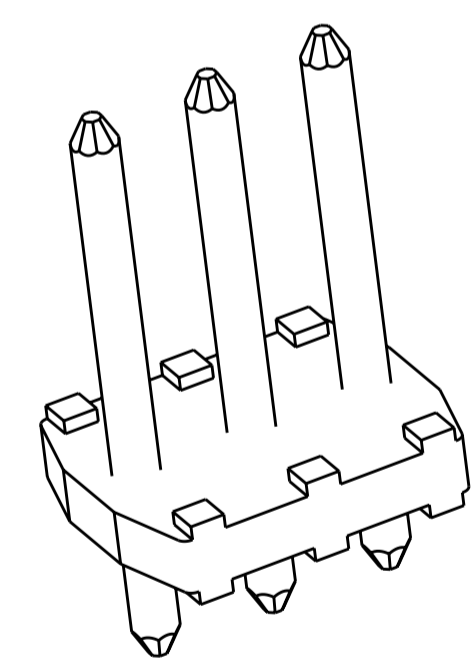
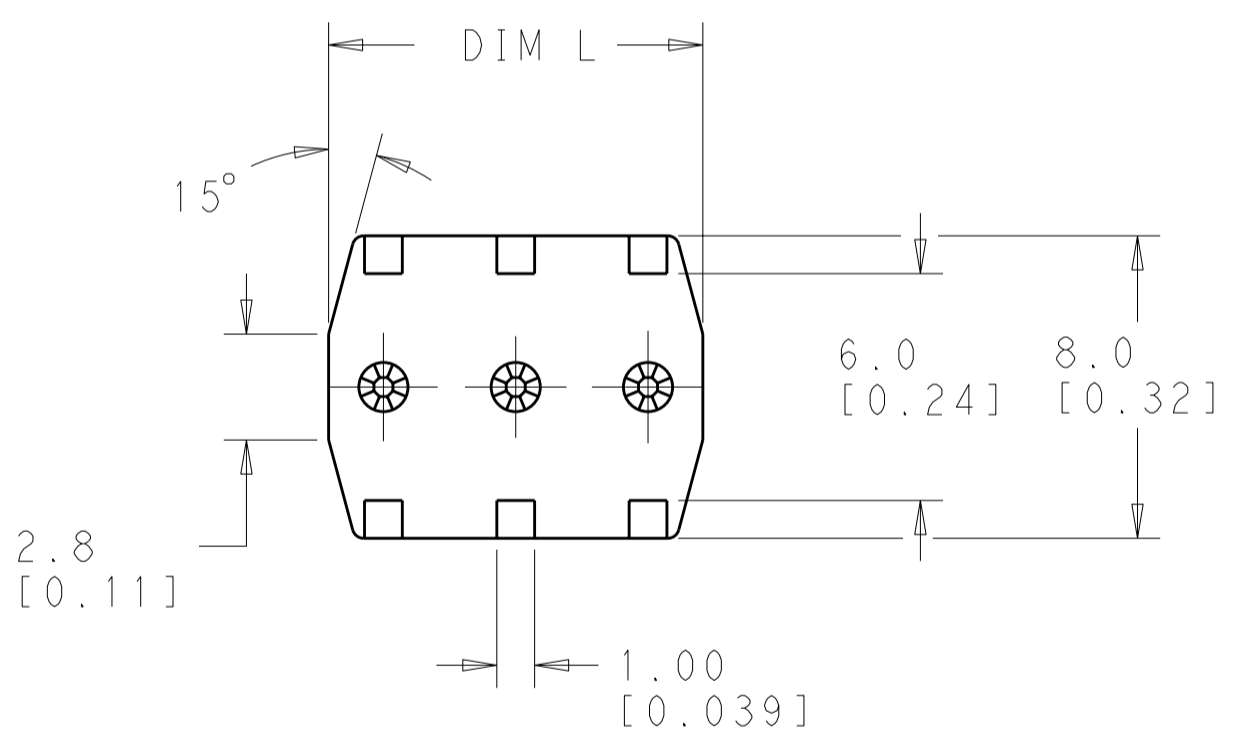


NOTE

MATERIALS:
 HOUSING-POLYAMIDE, COLOR-GREEN
 PIN-COPPER ALLOY-TIN PLATE

MECHANICAL
 RECOMMENDED PCB HOLE-1.4 to 1.5mm
 PIN DIAMETER-1.30
 PIN LENGTH (MATING)-10.60 MM
 PIN LENGTH (PCB)-3.50 MM
 OPERATING TEMPERATURE--40°C TO +110°C

ELECTRICAL
 VOLTAGE RATING- 150 VOLTS
 CURRENT RATING-2 AMP
 CONTACT RESISTANCE-15 MILLOHM MAX
 INSULATION RESISTANCE-10⁹ OHMS MIN (500V DC)



- 3 AS SHOWN

27.40 [1.078]	8	1986718-8
23.90 [0.941]	7	1986718-7
20.40 [0.803]	6	1986718-6
16.90 [0.665]	5	1986718-5
13.4 [0.527]	4	1986718-4
9.90 [0.389]	3	1986718-3
6.40 [0.252]	2	1986718-2
DIM L	POS	PART NO

THIS DRAWING IS A CONTROLLED DOCUMENT.		DWN YASHKUMAR 09NOV2011	TE Connectivity	
DIMENSIONS: MM [INCH]		CHK SARVER MICHAEL 09NOV2011		
TOLERANCES UNLESS OTHERWISE SPECIFIED:		APVD SARVER MICHAEL 09NOV2011	NAME MALE CONNECTOR, UNSHROUDED HEADER WITH WITH WIDE	
0 PLC ±	1 PLC ±0.20 [0.008]	PRODUCT SPEC -	BASE-SOLDERABLE UP TO 275DEG C STRAIGHT SIDE STACKABLE,	
2 PLC ±0.20 [0.008]	3 PLC ±	APPLICATION SPEC -	PIN 1.3 mm 02 - 8 POLES PITCH 3.50mm	
4 PLC ±	ANGLES ±°	WEIGHT -	SIZE A2	CAGE CODE 00779
MATERIAL -	FINISH -	CUSTOMER DRAWING	DRAWING NO C-1986718	RESTRICTED TO -
			SCALE 5:1	SHEET 1 OF 1