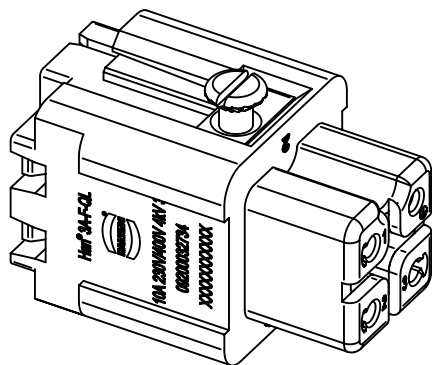
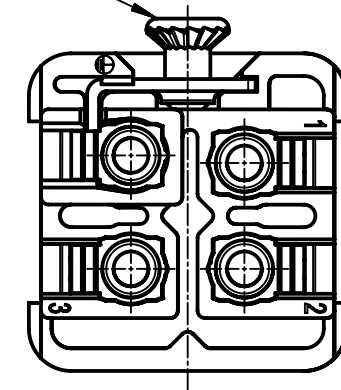


insert fixing screw M3x6
enclosed separately



	All Dimensions in mm Original Size DIN A4		Scale 2:1	Free size tol.		Ref.	
						Sub.	
	All rights reserved Department EL PD - DE		Created by FINKEV	Inspected by BERGHORN	Standardisation TIEMANNA	Date 2016-09-30	State Final Release
	HARTING Electric GmbH & Co. KG D-32339 Espelkamp		Title Han 3A female insert Quick-Lock 1,5mm ²			Doc-Key / ECM-Nr. 100216034/UGD/002/D 500000109636	
			Type TB	Number 09 20 003 2734		Rev. D	Page 1/1