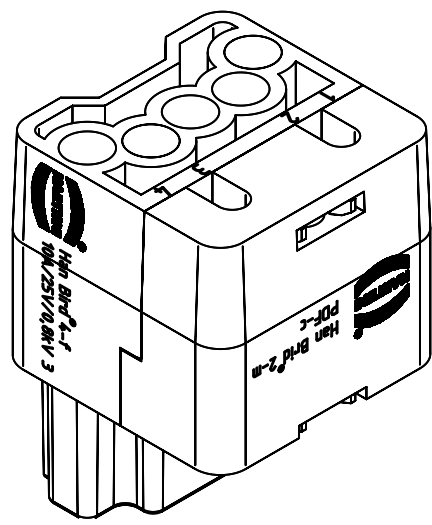


countersunk screw M3x6  
enclosed separately



|  |  |   |  |                        |                       |  |        |
|--|--|---|--|------------------------|-----------------------|--|--------|
|  | All Dimensions in mm<br>Original Size DIN A4 | Scale 2:1   |  | Free size tol.         |                       | Ref.   |        |
|  |  | Created by FINKEV                                   |  | Inspected by SCHNIEDER |                       | Standardisation TIEMANNA                           |        |
|  | All rights reserved<br>Department EL PD - DE | Title Han Brid-Male-C+2 FOC-Male-C (K)              |  |                        |                       | Doc-Key / ECM-Nr. 100205814/UGD/004/A 500000071208 |        |
|  |  | HARTING Electric GmbH & Co. KG<br>D-32339 Espelkamp |  | Type TB                | Number 09 12 004 3113 |  | Rev. A |