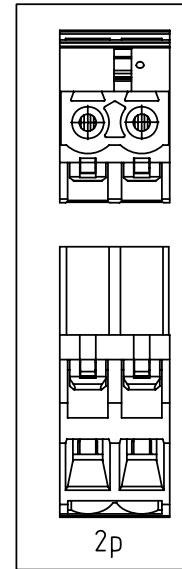
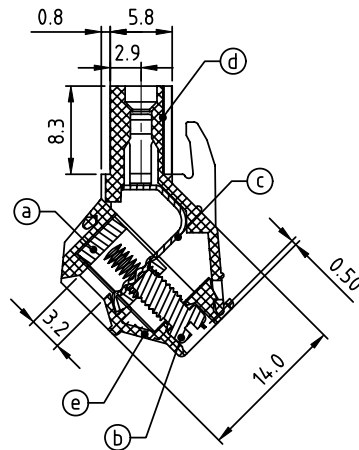
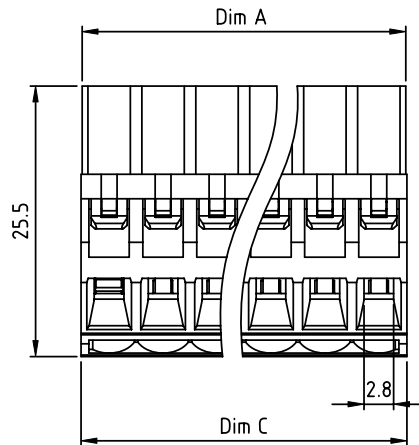
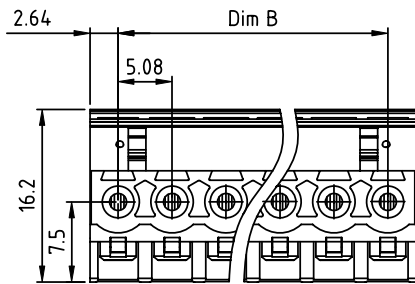


PRODUCT NUMBER	PITCH
EMxx51x000J0G	5.08 mm



Material:

- Item (a) Clamp: Brass(CuZn) Ni plated
- Item (b) Terminal screw: Steel Zinc plating "-" slot type
- Item (c) Female contact: High conductivity copper, Tin plated
- Item (d) Terminal (top body): Thermoplastic (UL94V-0)
- Item (e) Terminal (bottom body): Thermoplastic (UL94V-0)

Electrical cULus

- Voltage rating: 300VAC
- Current rating: 20A
- Wire range:
- Solid wire(AWG): 12-22
- Stranded wire(AWG): 12-22
- Torque: 4 Lb-In
- Screw: M3
- Wire strip length: 7-8mm
- Withstanding Voltage: 1.6KV
- Operating temperature: -40°C to +115°C
- Safety Approval:

Dim A=N×5.08
Dim B=(N-1)×5.08
Dim C=N×5.08+0.2

N=Number of poles

POLES	Tolerance
2p-6p	±0.10
7p-12p	±0.20
13p-18p	±0.30
19p-24p	±0.40

PART NO.: EM xx 51 x 0 00J0 G

Solid block	No. of poles	Color	RoHS compliant (lead<4%) In copper Alloy
0	2	Black (RAL9005)	
02	2	Red (RAL3001/D)	
03	3	Orange(RAL2011/P)	
...	...	4 Yellow(RAL1018/A)	
...	...	5 Green(RAL6018/T)	
24	24	6 Blue (RAL5015/A)	
		8 Grey(RAL7035/D)	
		9 White(RAL1102)	
		C Green(RAL6018/U)	

mat'l. code		surface ASME Y14.5	tolerance ASME Y14.5	projection	product family TERMINAL BLOCK
ltr	ecn no	dr	date		title TERMINAL BLOCK
tolerances unless otherwise specified				MM	PLUGGABLE PLUG, WITHOUT FLANGE
angles				scale	dwg no
X°±1'					sheet 1 of 1
dr EVIN ZHONG 042114					size A4
enrg EVIN ZHONG 042114					EMxx51x000J0G
chr HANKE FENG 042114					type CUSTOMER Drawing
appd SHI JUN 042114					
sheet index	revision sheet	A	1		