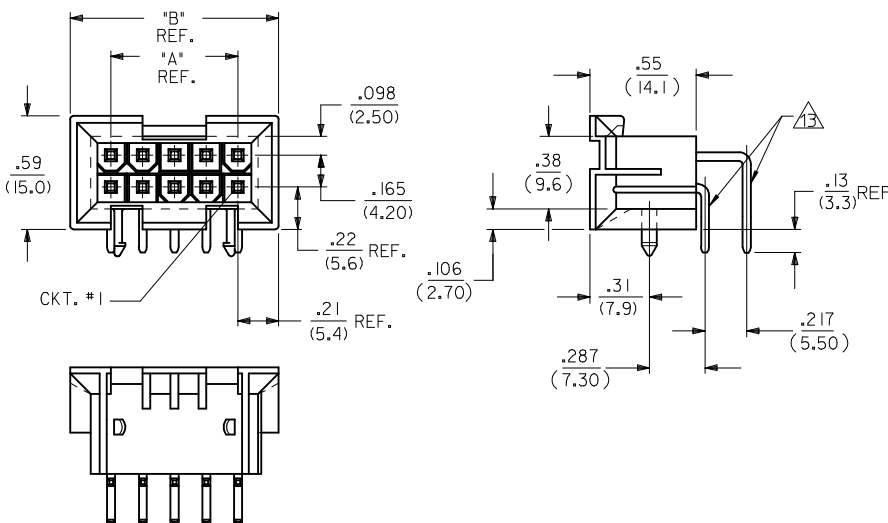
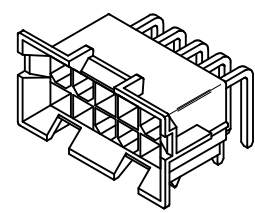


CIRCUIT SIZE	DIM. "A"	DIM. "B"
6	.331 (8.40)	.76 (19.2)
8	.496 (12.60)	.92 (23.4)
10	.661 (16.80)	1.09 (27.6)
12	.827 (21.00)	1.25 (31.8)
14	.992 (25.20)	1.42 (36.0)
16	1.157 (29.40)	1.58 (40.2)
18	1.323 (33.60)	1.75 (44.4)
20	1.488 (37.80)	1.91 (48.6)
22	1.654 (42.00)	2.08 (52.8)
24	1.819 (46.20)	2.24 (57.0)

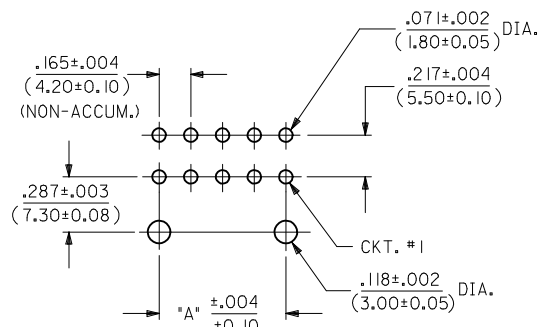


NOTES:

- MATERIAL: HOUSING: "A" = NYLON 6/6, U.L. 94V-2, COLOR: NATURAL.
"B" = NYLON 6/6, U.L. 94V-0, COLOR: NATURAL.
TERMINAL: BRASS ALLOY
- TERMINAL PLATING:
1 = .000100/(.00254) MIN. MATTE TIN OVER
.000050/(.00127) MIN. NICKEL OVERALL.
5 = .000030/(.00076) MIN. SELECT GOLD AND
.000100/(.00254) MIN. SELECT MATTE TIN OVER
.000050/(.00127) MIN. NICKEL OVERALL.
- PRODUCT SPECIFICATION: PS-5556-002
- PACKAGING SPECIFICATION: PK-42404-002.
- 4-24 CKT. PARTS MATE WITH MINI-FIT JR. RECEPTACLES #5557, #42385, #44516 AND #42474. 2 CKT. PART MATES WITH #42385, #44516 AND #42474 ONLY.
- PART ALLOWS FOR UP TO .100/(2.54) MISALIGNMENT WITH MATING RECEPTACLE IN ANY DIRECTION. SEE MATING CONNECTOR DRAWINGS FOR SPECIFIC ALLOWANCES.
- CONNECTOR ASSEMBLIES ARE NOT TO BE MATED OR UNMATED WHILE CIRCUITS ARE LIVE.
- A MAXIMUM TOLERANCE OF .050/(1.27) ALLOWS FOR 2 POINTS OF ELECTRICAL CONTACT. A MAXIMUM TOLERANCE OF .020/(.51) ALLOWS FOR 4 POINTS OF CONTACT.
- DISCOLORATION IN THE BANDOLIER CARRIER AREA OF THE PIN IS INHERENT TO THE PLATING PROCESS AND IS DUE TO THE MASKING EFFECT OF THE CARRIER. THIS DISCOLORATION IS IN A NON-FUNCTIONAL AREA OF THE PIN AND WILL NOT AFFECT THE PERFORMANCE OF THE HEADER ASSEMBLY.
- PART IS NOT DESIGNED FOR CURRENT SHARING.
- PART IS NOT INTENDED TO PROVIDE ANY ALIGNMENT OF CUSTOMER COMPONENTS OR MODULES, SUCH AS POWER SUPPLIES AND CHASSIS.
- PARTS CONFORM TO CLASS 'B' REQUIREMENTS OF COSMETIC SPECIFICATION PS-45499-002.*
- FORMING MARKS ARE ACCEPTABLE.
- CORNER CORE-OUTS ARE OPTIONAL AND MAY OR MAY NOT BE PRESENT
- TEXT ON PART IS FOR REFERENCE ONLY. TEXT AND TEXT LOCATION MAY VARY DEPENDING ON PART NUMBER AND/OR TOOL.

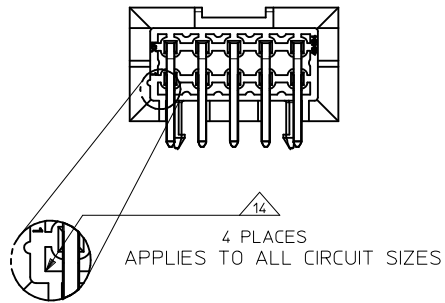
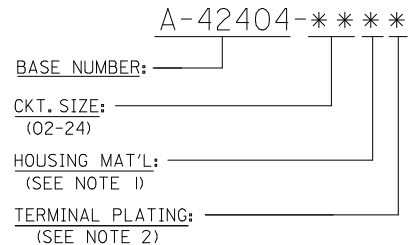


A-42404-****



RECOMMENDED HOLE LAYOUT FOR .070/(1.78) MAX. THICK P.C. BOARD VIEWED FROM COMPONENT SIDE

LEGEND:

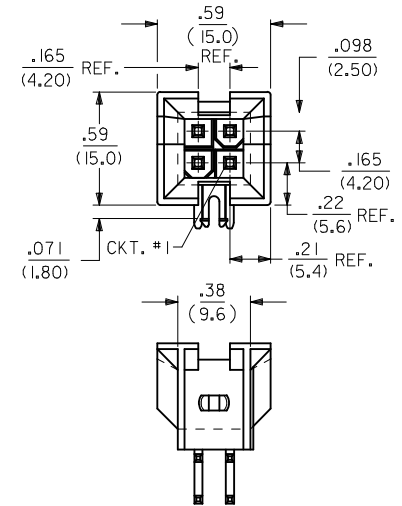


CT. SIZE	HOUSING MAT'L	TERMINAL MAT'L	PLATING						
--**B2, --**B4	42474-**-21, 5556-PBGS*P	94V-0	GOLD						
			TIN						
			--**B1, --**B3	42474-**-21, 5556-PBS*P	94V-0	GOLD			
						TIN			
						--**A1, --**A3	42474-**-11, 5556-PBS*P	94V-2	GOLD
									TIN
--**B2, --**B4	42474-**-21, 5556-GS*P	94V-0							GOLD
									TIN
			--**A2, --**A4	42474-**-11, 5556-GS*P	94V-2				GOLD
									TIN
						--**B1, --**B3	42474-**-21, 5556-S*P	94V-0	GOLD
									TIN
--**A1, --**A3	42474-**-11, 5556-S*P	94V-2							GOLD
									TIN
			--**B2, --**B4	A-42385-**-D2	94V-0				GOLD
									TIN
						--**A2, --**A4	A-42385-**-C2	94V-2	GOLD
									TIN
--**B1, --**B3	A-42385-**-D1	94V-0							GOLD
									TIN
			--**A1, --**A3	A-42385-**-C1	94V-2				GOLD
									TIN
						--**B2, --**B4	A-42385-**-B2	94V-0	GOLD
									TIN
--**A2, --**A4	A-42385-**-A2	94V-2							GOLD
									TIN
			--**B1, --**B3	A-42385-**-B1	94V-0				GOLD
									TIN
						--**A1, --**A3	A-42385-**-A1	94V-2	GOLD
									TIN

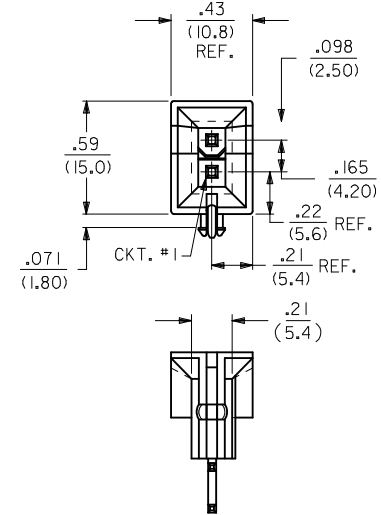
R.A. HEADER	MATING CONNECTOR	HSG. MAT'L.	TERM. MAT'L.	PLATING
A-42404				
MATING CONNECTOR FEATURES				

ADD BACK VIEW EC NO: UCP2017-0438 DRWNGS: LAFTR 2016/08/23 CHKD: J.BELL 2016/08/23 APPR: F.SMITH 2016/09/12	QUALITY SYMBOLS ▽=0 ▽=0 ▽=0	GENERAL TOLERANCES (UNLESS SPECIFIED) mm INCH		DIMENSION STYLE IN/MM		SCALE 2:1	DESIGN UNITS METRIC	THIRD ANGLE PROJECTION
		4 PLACES ± --- ± --- 3 PLACES ± --- ± .10 2 PLACES ± 0.25 ± .015 1 PLACE ± 0.38 ± ---	DRAWN BY RWK DATE 2/7/89	TITLE MINI-FIT JR. 2-24 CKT RIGHT ANGLE HEADER ASSY (BLIND MATE)				
		ANGULAR ± 1/2°	CHECKED BY RJF DATE 2/7/89	MOLEX INCORPORATED				
		DRAFT WHERE APPLICABLE MUST REMAIN WITHIN DIMENSIONS	APPROVED BY F.SMITH DATE 2011/11/01	MATERIAL NO. SEE SHEET 3	DOCUMENT NO. SDA-42404-****	SHEET NO. 1 OF 3		

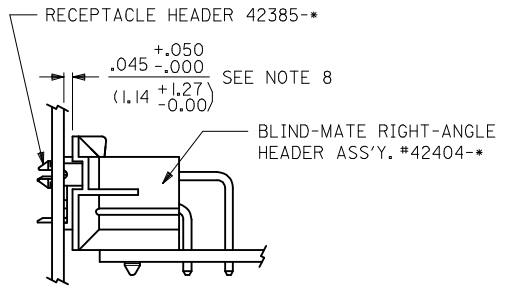
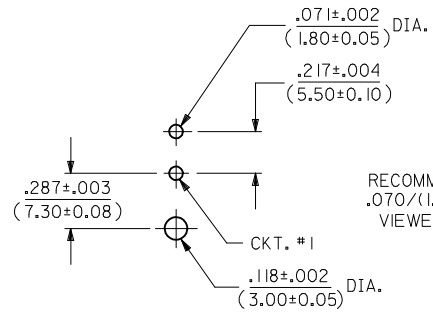
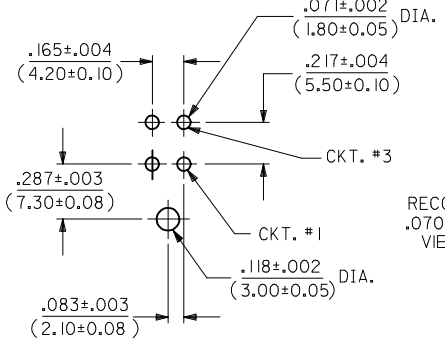
THIS DRAWING CONTAINS INFORMATION THAT IS PROPRIETARY TO MOLEX INCORPORATED AND SHOULD NOT BE USED WITHOUT WRITTEN PERMISSION



A-42404-04**



A-42404-02**



SEE RECEPTACLE DRAWINGS FOR ADDITIONAL MATING CONFIGURATIONS

SEE SHEET 1 EC NO: UCP2017-0438 DRAWN:CLAFTER 2016/08/23 CHKD:JBELL 2016/08/23 APPR:FSMITH 2016/09/21	QUALITY SYMBOLS ▽=0 ▽=0 ▽=0	GENERAL TOLERANCES (UNLESS SPECIFIED) mm INCH 4 PLACES ± --- ± --- 3 PLACES ± --- ± .010 2 PLACES ± 0.25 ± .015 1 PLACE ± 0.38 ± --- ANGULAR ±1/2°	DIMENSION STYLE IN/MM DRAWN BY DATE RWK 2/7/89 CHECKED BY DATE RJF 2/7/89 APPROVED BY DATE FSMITH 2011/11/01	SCALE 2:1 DESIGN UNITS METRIC THIRD ANGLE PROJECTION	TITLE MINI-FIT JR. 2-24 CKT RIGHT ANGLE HEADER ASSY (BLIND MATE)	MATERIAL NO. SEE SHEET 3	DOCUMENT NO. SDA-42404-****	SHEET NO. 2 OF 3
	DRAFT WHERE APPLICABLE MUST REMAIN WITHIN DIMENSIONS		THIS DRAWING CONTAINS INFORMATION THAT IS PROPRIETARY TO MOLEX INCORPORATED AND SHOULD NOT BE USED WITHOUT WRITTEN PERMISSION					

