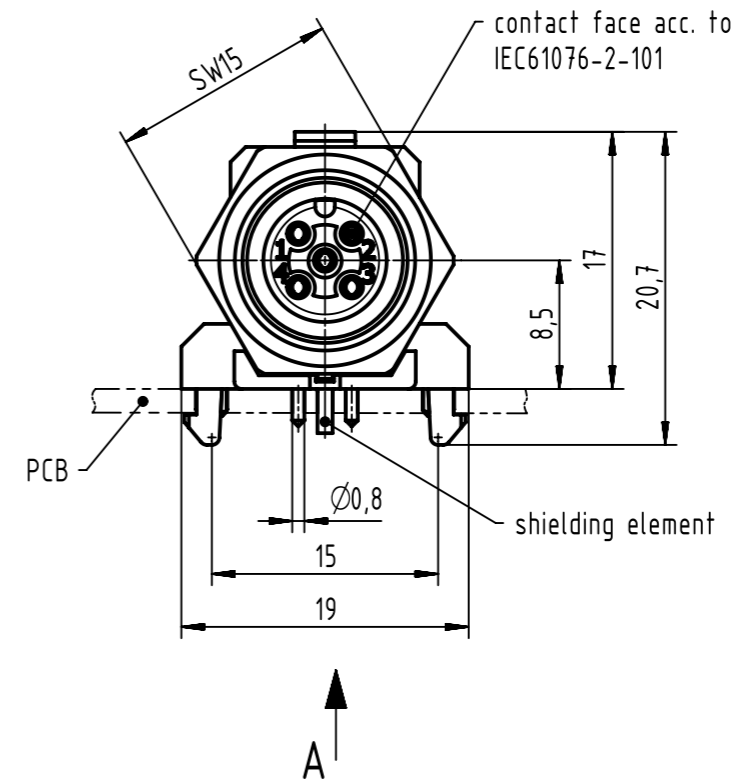
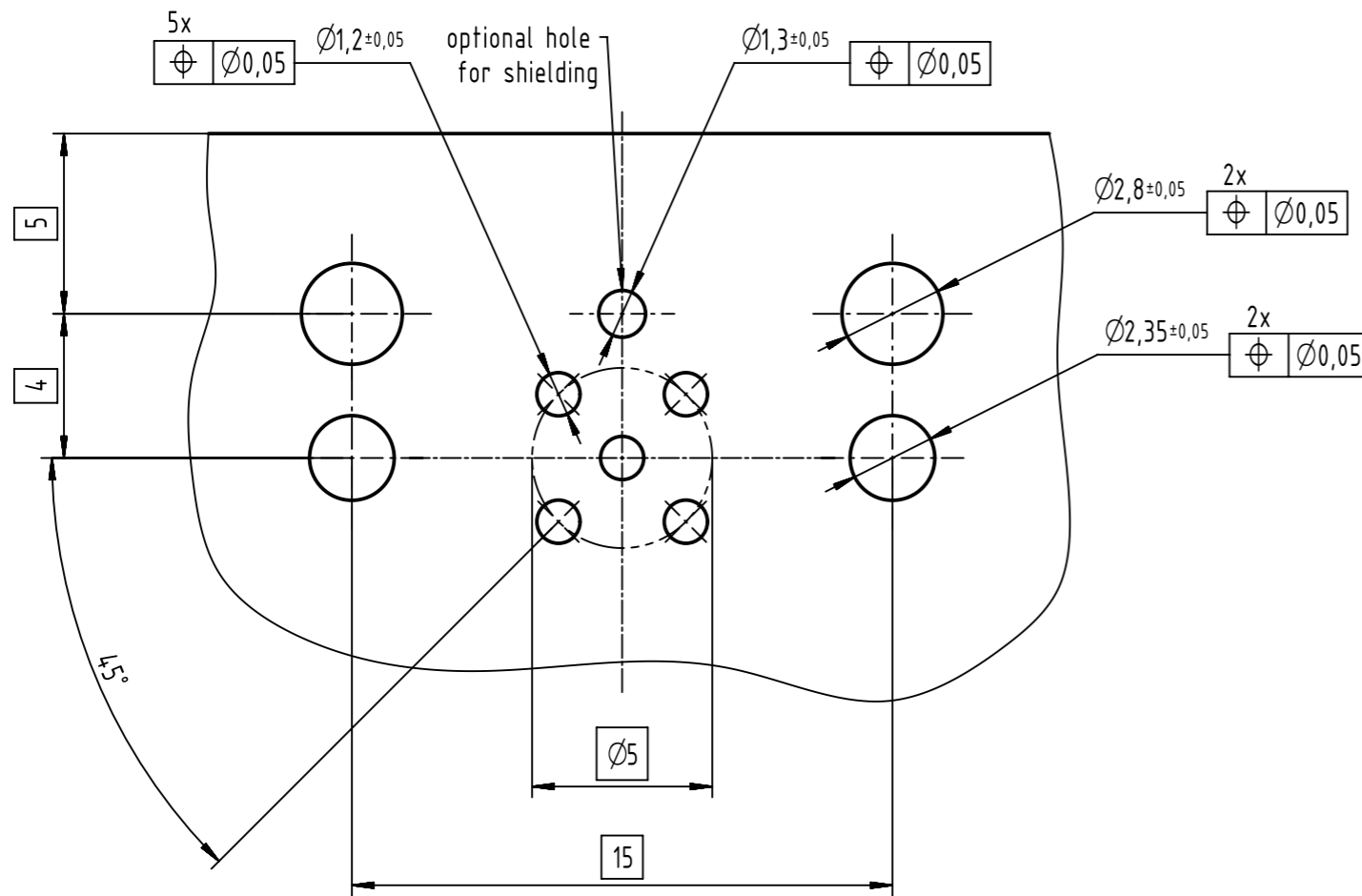
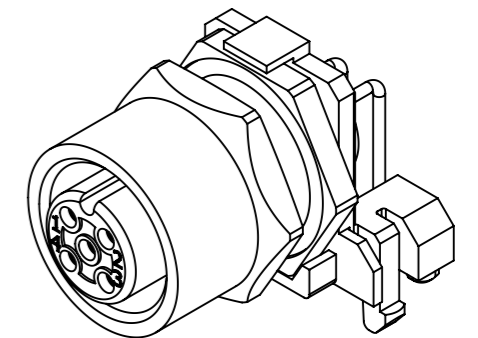
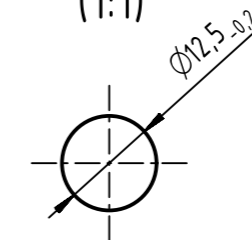


A(5:1)

recommended PCB layout



panel cut out
(1:1)



-10 pcs. package

recommended PCB thickness: 1.6mm

	All rights reserved Department EC PD - DE	All Dimensions in mm Original Size DIN A3	Scale 2:1	Free size tol.	Ref. Sub.
	HARTING Electronics GmbH D-32339 Espelkamp	Created by HELLMANN	Inspected by EISFELD	Standardisation KOHLER	Date 2016-05-17
Title HARTING M12 PCB rectpt angled 5-pole A-coded shielded					State Final Release
Type TB				Number 21033214501	Doc-Key / ECM-Nr. 100671222/UGD/000/A 500000104425
Rev. A					Page 1/1