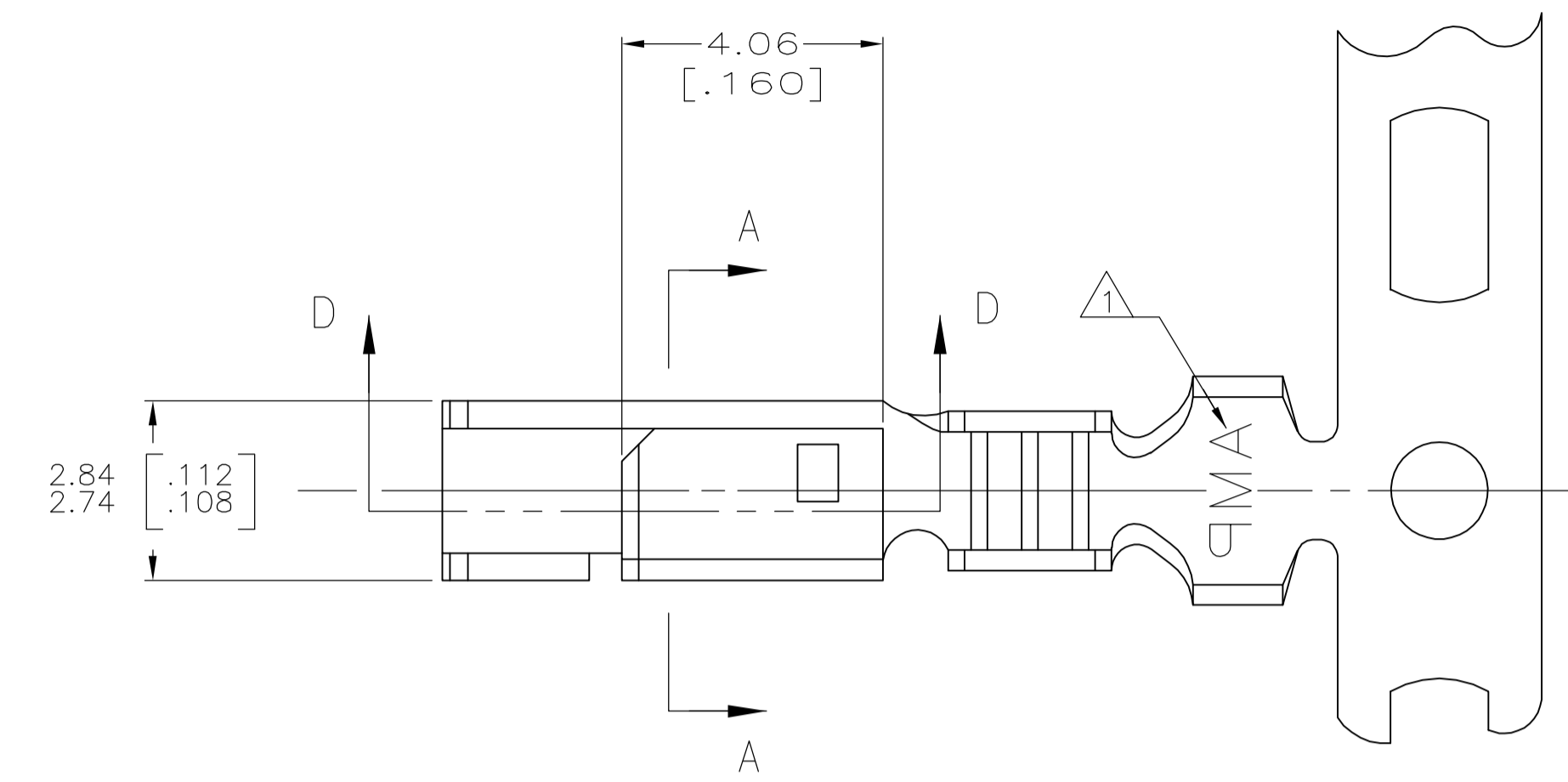
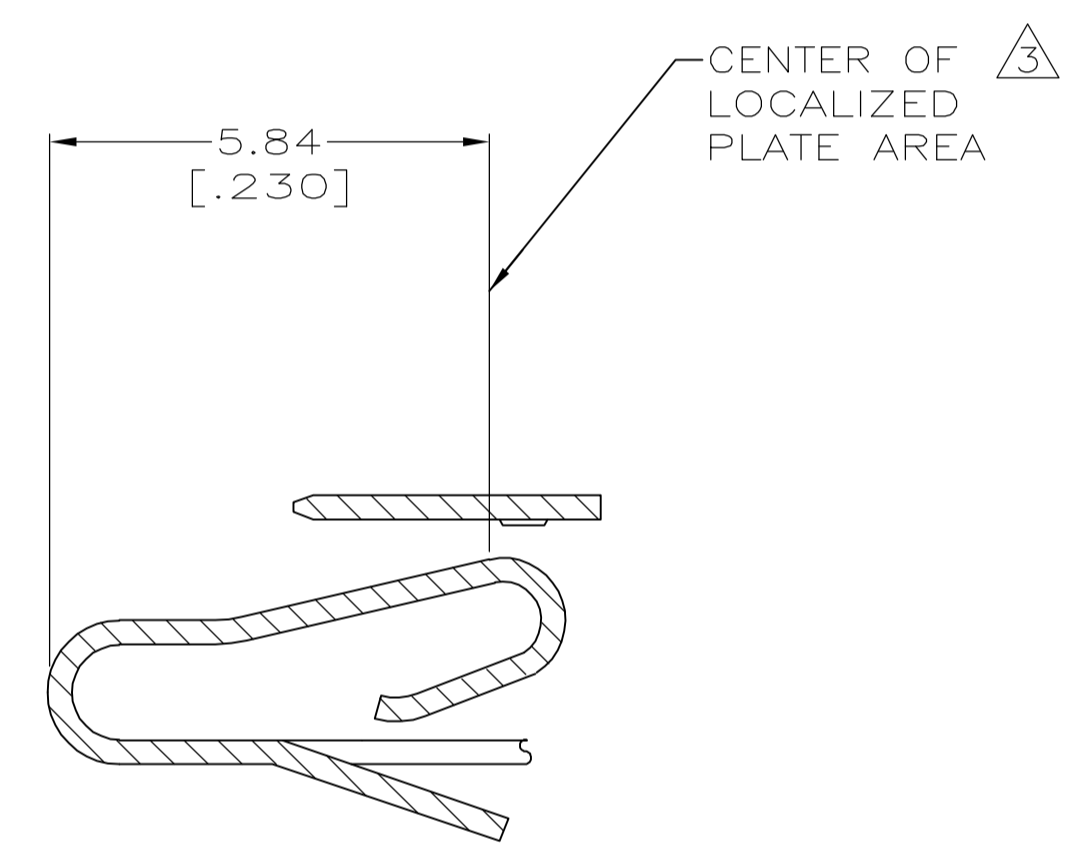


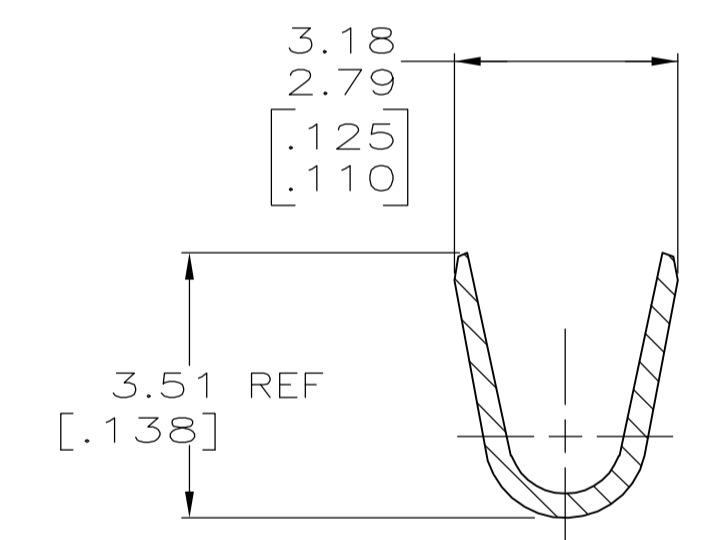
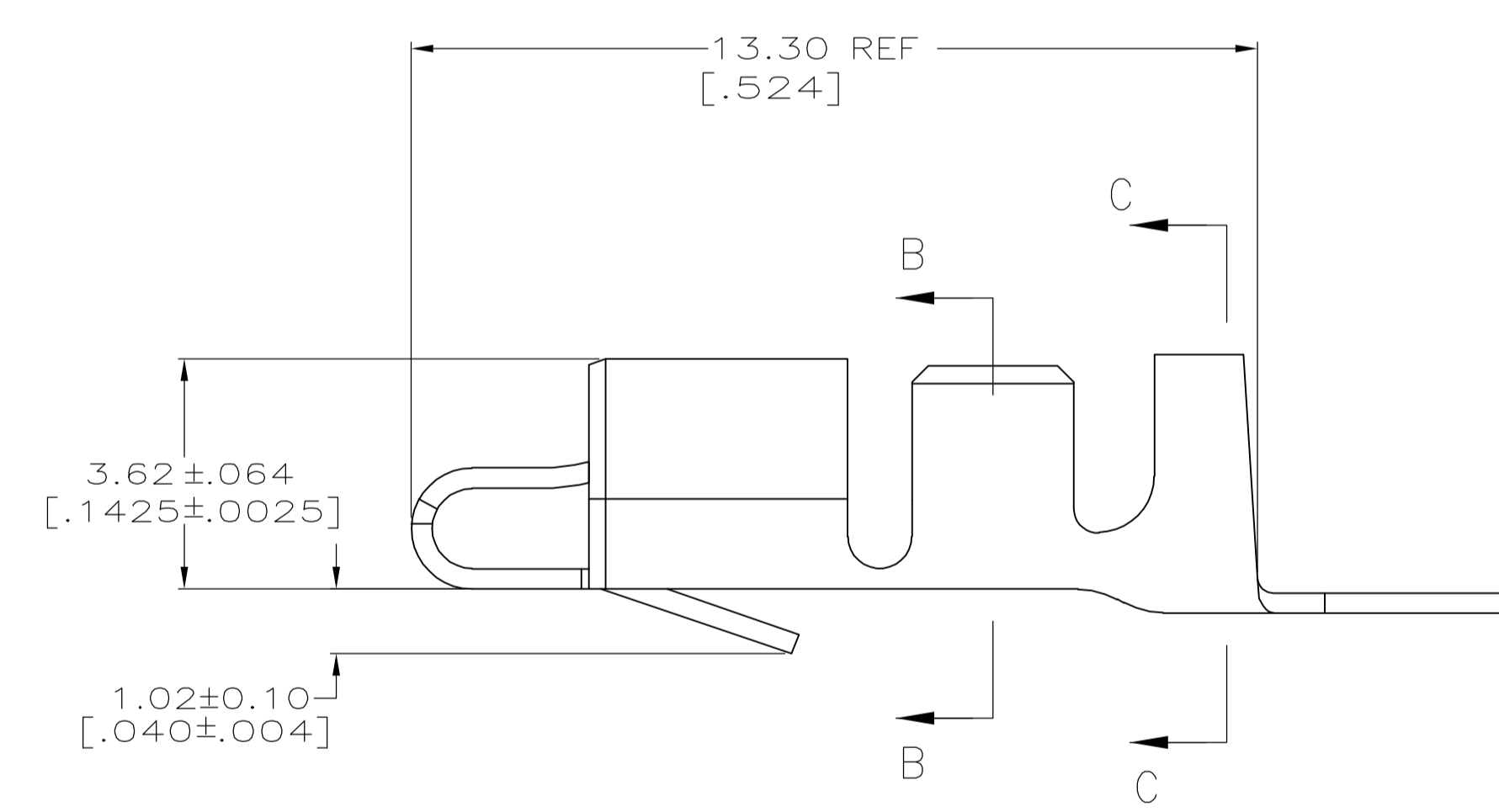
LOC		DIST		REVISIONS			
P	LTR	DESCRIPTION	DATE	DWN	APVD		
C		REVISED PER 063B-1213-04	9/9/05	SS	JE		



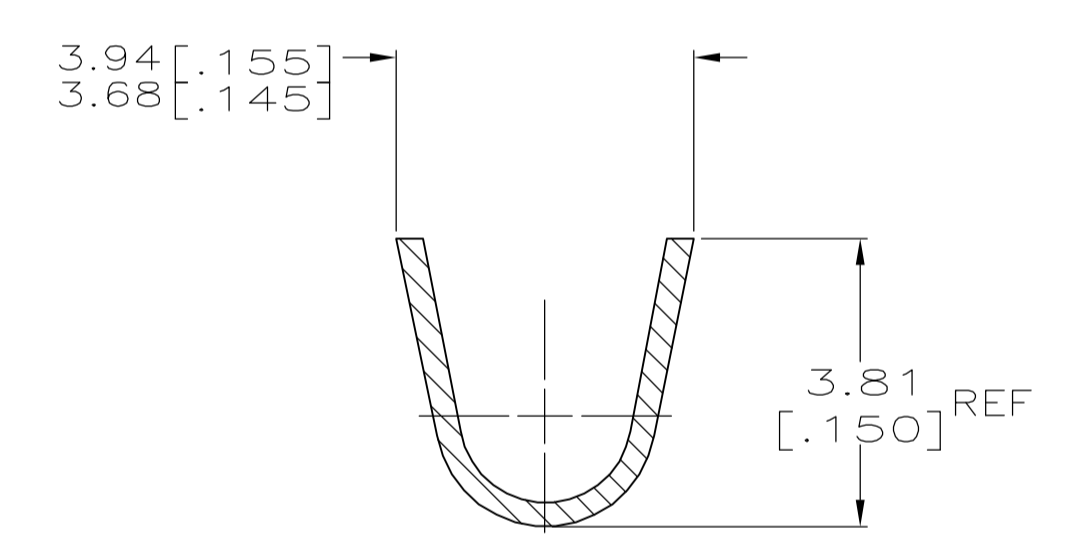
- INSULATION RANGE: 1.78-2.84 [.070-.112]
 WIRE RANGE: NOT TO EXCEED 2550-2800 CMA (1.29-1.42 mm²)
 (LIMITED 16 AWG RANGE).
- 0.00203 [.000080] MIN BRIGHT TIN-LEAD OVER
 0.00127 [.000050] MIN NICKEL.
- 0.00076 [.000030] MIN THICK GOLD STRIPES IN
 LOCALIZED PLATE AREA ON BEAM AND DIMPLE OVER
 0.00127 [.000050] MIN THICK NICKEL OVER ENTIRE
 CONTACT.
- DIMENSIONS IN BRACKETS ARE IN INCHES.
- FOR USE ONLY WITH LID STYLE HOUSING.
- 0.00203 [.000080] MIN BRIGHT TIN OVER
 0.00127 [.000050] MIN NICKEL.



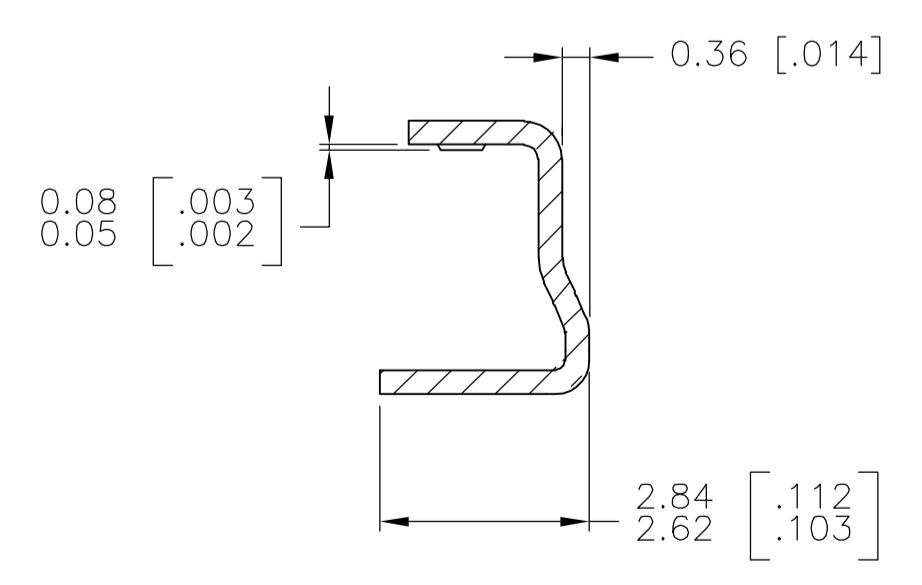
SECTION D-D



SECTION B-B



SECTION C-C



SECTION A-A
 ROTATED 90° CCW

6	3-647466-1
3	647466-2
3	647466-1
FINISH	PART NUMBER

METRIC

THIS DRAWING IS A CONTROLLED DOCUMENT.

DIMENSIONS: mm [INCHES]	TOLERANCES UNLESS OTHERWISE SPECIFIED:	DWN K. WHITAKER 18OCT2004	18OCT2004		Tyco Electronics Corporation Harrisburg, Pa 17105-3608
0 PLC ± -	1 PLC ± -	CHK J. ELLIS 18OCT2004	18OCT2004		NAME J. ELLIS
2 PLC ± -	3 PLC ± 0.13 [.005]	APVD J. ELLIS 18OCT2004	18OCT2004	PRODUCT SPEC 108-1049	SIZE A1
4 PLC ± -	ANGLES ± -	APPLICATION SPEC 114-1021		WEIGHT -	SCALE 10:1
MATERIAL PH BRZ	FINISH SEE TABLE	RESTRICTED TO CUSTOMER DRAWING	WEIGHT -	DRAWING NO A100779C=647466	SHEET 1 of 1