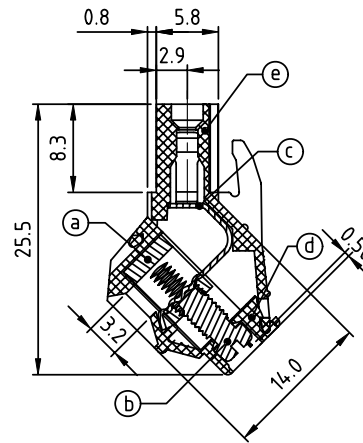
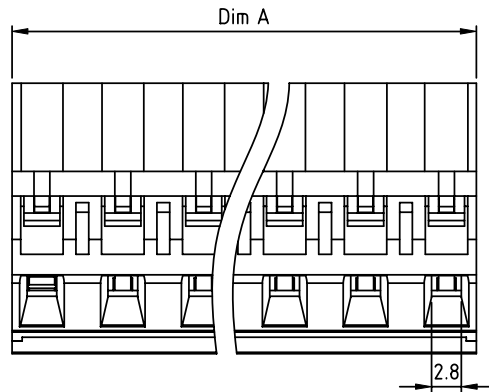
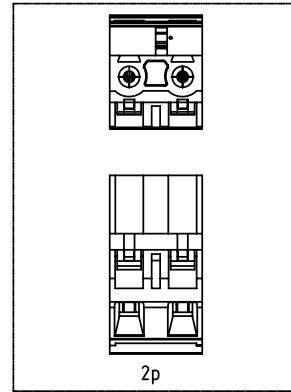
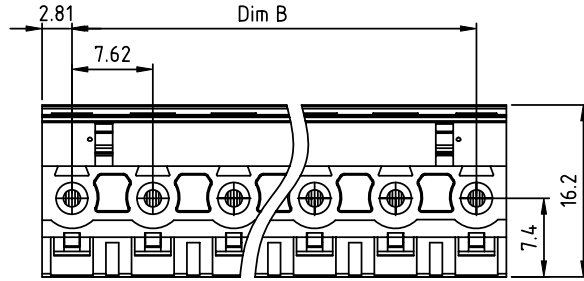


PRODUCT NUMBER	PITCH
EMxx01x000JOG	7.62 mm



Material:

- Item (a) Clamp: Brass(CuZn) Ni plated
- Item (b) Terminal screw: Steel Zinc plating "-" slot type
- Item (c) Female contact: High conductivity copper, Tin plated
- Item (d) Terminal (top body): Thermoplastic (UL94V-0)
- Item (e) Terminal (bottom body): Thermoplastic (UL94V-0)

Electrical cULus

- Voltage rating: 300VAC
- Current rating: 20A
- Wire range:
- Solid wire(AWG): 12-22
- Stranded wire(AWG): 12-22
- Torque: 4 Lb-In
- Screw: M3
- Wire strip length: 7-8mm
- Withstanding Voltage: 1.6KV
- Operating temperature: -40°C to +115°C
- Safety Approval:

PART NO.: EM xx 01 x 0 00J0 G

Dim A=(N-1)×7.62+5.62

Dim B=(N-1)×7.62

N=Number of poles

POLES	Tolerance
2p-6p	±0.20
7p-12p	±0.30
13p-16p	±0.40

Solid block	No. of poles	Color	RoHS compliant (lead<4%) In copper Alloy
0	2	Black (RAL9005)	
02	2	Red (RAL3001/D)	
03	3	Orange(RAL2011/P)	
...	...	4 Yellow(RAL1018/A)	
...	...	5 Green(RAL6018/T)	
16	16	6 Blue (RAL5015/A)	
		8 Grey(RAL7035/D)	
		9 White(RAL1102)	
		C Green(RAL6018/U)	

mat'l. code		surface ASME Y14.5 ✓	tolerance ASME Y14.5	projection	product family
tolerances unless otherwise specified					TERMINAL BLOCK
ltr	ecn no	dr	date	MM	title
				←	TERMINAL BLOCK
				→	PLUGGABLE PLUG, WITHOUT FLANGE
				scale	
dr	EVIN ZHONG	042114			dwg no
enr	EVIN ZHONG	042114			sheet 1 of 1
chr	HANKE FENG	042114			size
appd	SHI JUN	042114			A4
sheet index	revision sheet	A	1		type
					CUSTOMER Drawing