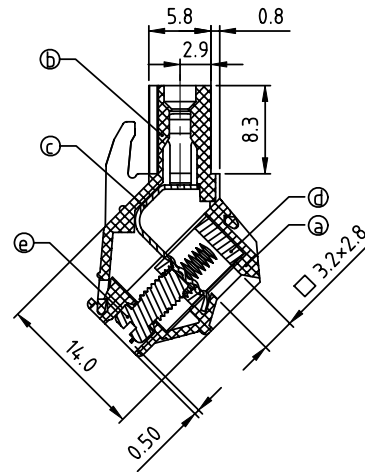
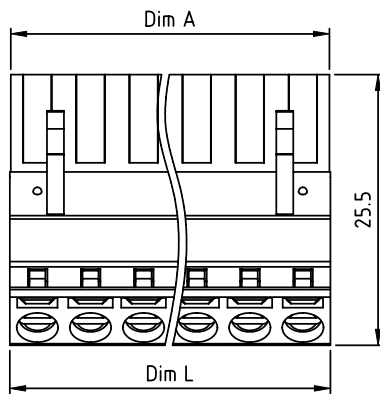
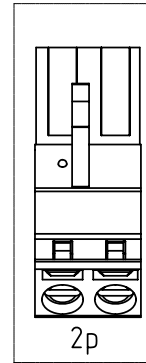
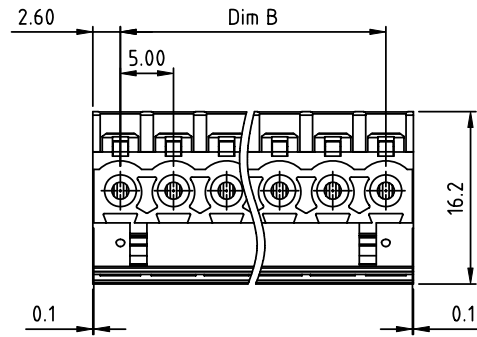


PRODUCT NUMBER	PITCH
EMxx71x000J0G	5.00 mm



Material:

- ItemⒶ Terminal(top body): Thermoplastic (UL94V-0)
- ItemⒷ Terminal(bottom body): Thermoplastic (UL94V-0)
- ItemⒸ Female contact: High conductivity copper ,Tin plated
- ItemⒹ Clamp: Brass(CuZn) Ni plated
- ItemⒺ Terminal screw: Steel Zinc plating "--" slot type

Electrical: cULus

- Voltage rating:300V
- Current rating:20A
- Wire range:
- Solid wire(AWG):12-22
- Stranded wire(AWG):12-22
- Torque: 4Lb-In
- Screw:M3
- Wire strip length:7-8 mm
- Withstanding Voltage: 1.6KV
- Operating temperature:-40°C to +115°C
- Safety Approval: cULus

DIMENSION

Dim L	Nx5.0+0.2
Dim A	Nx5.0
Dim B	(N-1)x5.0

N=Number of poles

Poles	Tolerance
2p-6p	±0.15
7p-12p	±0.20
13p-18p	±0.25
19p-24p	±0.40

PART NO.: EM xx 71 x 0 00J0 G

		Color	RoHS compliant
Solid block	0	Black (RAL9005)	(lead<4%)
No. of poles	2	Red (RAL3001/D)	In copper Alloy
02	2 poles	3 Orange(RAL2011/P)	
03	3 poles	4 Yellow(RAL1018/A)	
...	...	5 Green(RAL6018/T)	
24	24 poles	6 Blue (RAL5015/A)	
		8 Grey(RAL7035/D)	
		9 White(RAL1102)	
		C Green(RAL6018/U)	

mat'l. code		surface ASME Y14.5	tolerance ASME Y14.5	projection	product family
ltr	ecn no	dr	date		TERMINAL BLOCK
tolerances unless otherwise specified				MM	title
angles	0				TERMINAL BLOCK
	±				PLUGGABLE PLUG,WITHOUT FLANGE
	X*±1"			scale	
dr	EVIN ZHONG	042114			dwg no
enr	EVIN ZHONG	042114			sheet 1 of 1
chr	HANKE FENG	042114			size
appd	SHI JUN	042114			A4
sheet index	revision sheet	A	1		type
					CUSTOMER Drawing