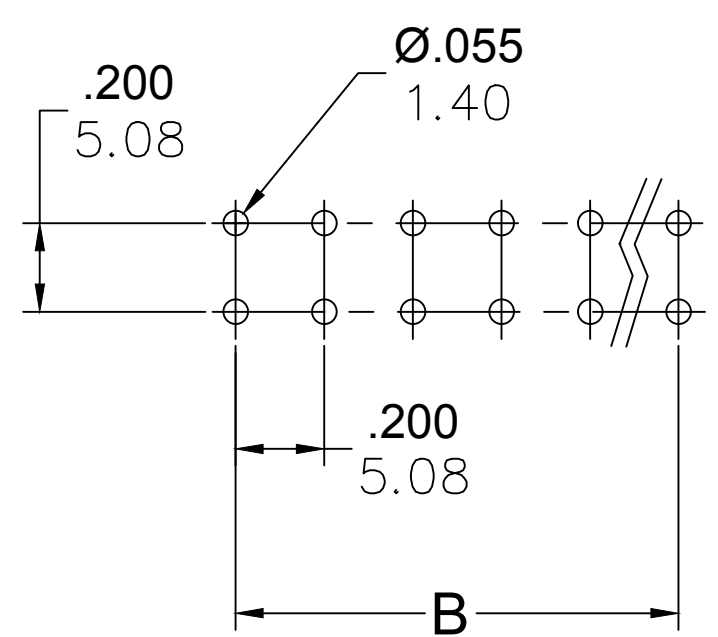


MARKING IS LOCATED AS SHOWN



PCB LAYOUT

SPECIFICATIONS:

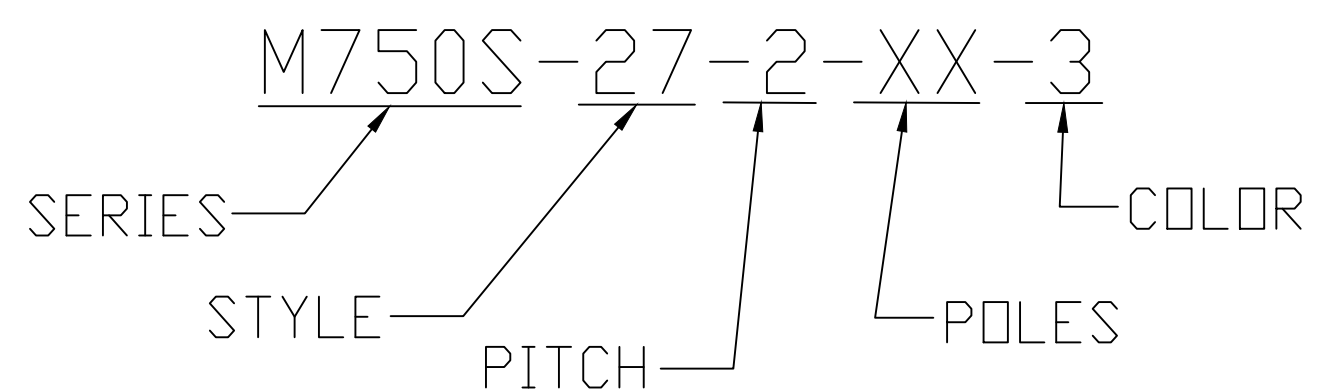
1. MATERIAL:
  - A. COVER: PA66 UL94 V-0
  - B. BODY: PA66, UL94 V-0
  - C. TERMINAL: BRASS TIN PLATED
  - D. INSERT: M2.5, BRASS
2. RATING: 250V, 12A
3. DIELECTRIC VOLTAGE WITHSTAND: AC 2500V FOR 1 MINUTE
4. INSULATION RESISTANCE: DC 500V, 500MΩ
5. RATED IMPULSE VOLTAGE: 4000V, PLUS AND MINUS 5 TIMES EACH
6. OPERATING TEMPERATURE: -40°C TO +105°C
7. MAX SOLDERING TEMP: 260°C (500°F) FOR 5 SECONDS
8. DIMS. SHOWN ARE FOR REFERENCE ONLY

PART NUMBER DATA

CIRCUITS	PART NUMBER	ENGINEERING NUMBER	COLOR	A IN mm		B IN mm		C IN mm	
2	397370002	M750S-27-2-02-3	GREEN	.80	20.3	.200	5.08	.610	15.49
3	397370003	M750S-27-2-03-3	GREEN	1.00	25.4	.400	10.16	.810	20.57
4	397370004	M750S-27-2-04-3	GREEN	1.20	30.4	.600	15.24	1.010	25.65
5	397370005	M750S-27-2-05-3	GREEN	1.40	35.5	.800	20.32	1.210	30.73
6	397370006	M750S-27-2-06-3	GREEN	1.60	40.6	1.000	25.40	1.410	35.81
7	397370007	M750S-27-2-07-3	GREEN	1.80	45.7	1.200	30.48	1.610	40.89
8	397370008	M750S-27-2-08-3	GREEN	2.00	50.8	1.400	35.56	1.810	45.97
9	397370009	M750S-27-2-09-3	GREEN	2.20	55.8	1.600	40.64	2.010	51.05
10	397370010	M750S-27-2-10-3	GREEN	2.40	60.9	1.800	45.72	2.210	56.13
11	397370011	M750S-27-2-11-3	GREEN	2.60	66.0	2.000	50.80	2.410	61.21
12	397370012	M750S-27-2-12-3	GREEN	2.80	71.1	2.200	55.88	2.610	66.29
13		M750S-27-2-13-3	GREEN	3.00	76.2	2.400	60.96	2.810	71.37
14		M750S-27-2-14-3	GREEN	3.20	81.2	2.600	66.04	3.010	76.45
15		M750S-27-2-15-3	GREEN	3.40	86.3	2.800	71.12	3.210	81.53
16		M750S-27-2-16-3	GREEN	3.60	91.4	3.000	76.20	3.410	86.61
17		M750S-27-2-17-3	GREEN	3.80	96.5	3.200	81.28	3.610	91.69
18		M750S-27-2-18-3	GREEN	4.00	101.6	3.400	86.36	3.810	96.77
19		M750S-27-2-19-3	GREEN	4.20	106.6	3.600	91.44	4.010	101.85
20		M750S-27-2-20-3	GREEN	4.40	111.7	3.800	96.52	4.210	106.93
21		M750S-27-2-21-3	GREEN	4.60	116.8	4.000	101.59	4.410	112.01
22		M750S-27-2-22-3	GREEN	4.80	121.9	4.200	106.67	4.610	117.09
23		M750S-27-2-23-3	GREEN	5.00	127.0	4.400	111.75	4.810	122.17
24		M750S-27-2-24-3	GREEN	5.20	132.0	4.600	116.83	5.010	127.25

REF. LAST 2 DIGITS OF PART NUMBER EQUAL CIRCUIT COUNT

ENGINEERING NUMBER LEGEND



CONTACT FACTORY FOR OPTIONAL COLORS

TOLERANCES			
MM	TOL	INCH	TOL
0-6	±0.25	0-.24	±.010
>6-30	±0.40	.24-1.18	±.016
>30-120	±0.50	1.18-4.76	±.020
>120	±0.80	>4.76	±.031

REVISED DOC TOL EC NO.: ICG2017-0881 DRWN: ABENJAMI CHKD: --- APPR: BRUPERT 2014/10/16	QUALITY SYMBOL	GENERAL TOLERANCES (UNLESS SPECIFIED) 4 PLACES ±--- ±--- 3 PLACES ±--- ±--- 2 PLACES ±--- ±--- 1 PLACE ±--- ±--- ANGULAR ±---° DRAFT WHERE APPLICABLE MUST REMAIN WITHIN DIMENSIONS	DIMENSION STYLE	SCALE	DESIGN UNITS	THIRD ANGLE PROJECTION HEADER, VERTICAL MALE, 5.08MM WITH MOUNTING ENDS MOLEX INCORPORATED SD-39737-001 SHEET NO. 1 OF 1
	▽=0		IN/MM	---	METRIC	
	∇=0		DRAWN BY DATE	RSTONE 2014/04/30	TITLE	
			CHECKED BY DATE	G FARNSW		
	APPROVED BY DATE	JFMURPHY 2014/10/16	MATERIAL NO.	DOCUMENT NO.		
			SEE CHART			
			SIZE C	THIS DRAWING CONTAINS INFORMATION THAT IS PROPRIETARY TO MOLEX INCORPORATED AND SHOULD NOT BE USED WITHOUT WRITTEN PERMISSION		