

PRODUCT NUMBER

10123920-XXXLF

MATERIAL

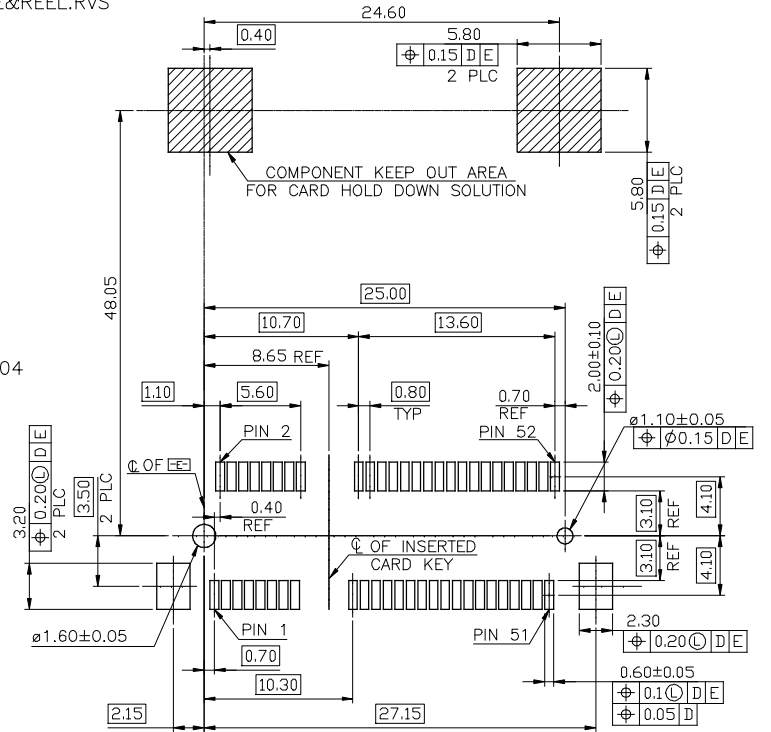
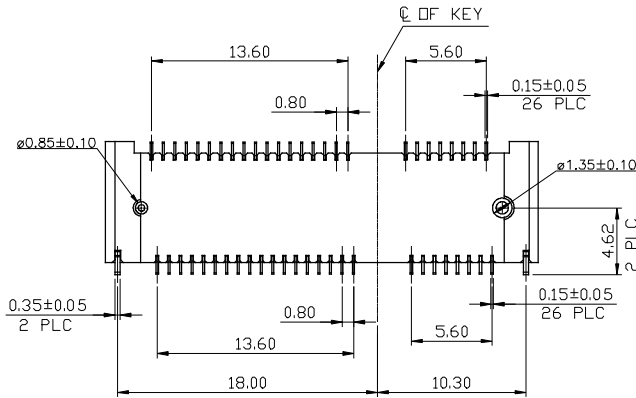
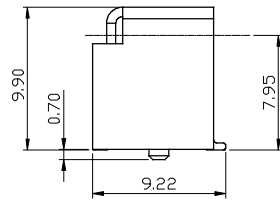
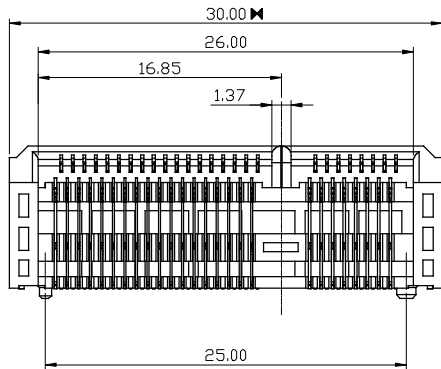
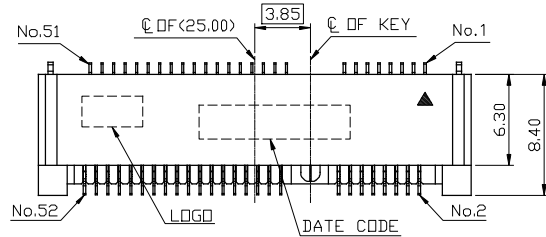
HOUSING : THERMO PLASTIC UL94V-0 BLACK  
CONTACT : COPPER ALLOY  
PEG : COPPER ALLOY

PART NO. SCHEMATIC: 10123920 - XX X LF

TERMINAL PLATING \_\_\_\_\_ PACKING \_\_\_\_\_  
00: NO PLATING 0: TAPE&REEL.STD  
G2: GOLD FLASH 1~3μ" OVER Ni 50~100μ" 1: TAPE&REEL.RVS

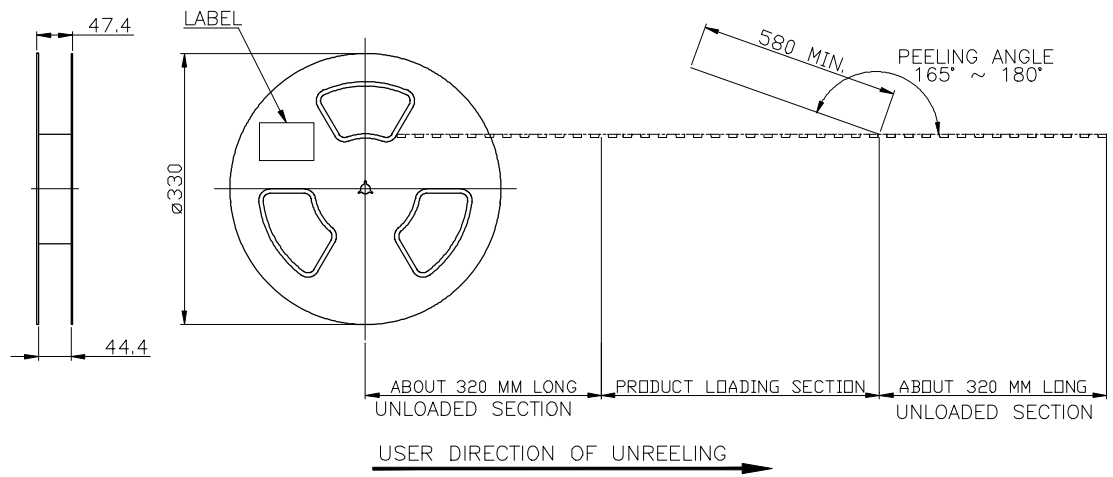
A2: CONTACT AREA AND SOLDER AREA :  
SELECTION GOLD 1μ" OVER Ni 50~100μ"  
A7: CONTACT AND SOLDER TAIL AREA GOLD PLATING  
10μ" MIN OVER Ni 50~100μ"  
S7: CONTACT AREA GOLD PLATING  
10μ" MIN AND SOLDER TAIL PLATING 1μ" min  
OVER Ni 50~100μ"  
SB: 30u" MIN. GOLD PLATING ON CONTACT AREA, 1u"  
MIN. GOLD ON SOLDER TAILS, 50u"~100u" NICKEL  
UNDERPLATING OVER ALL.

PRODUCT SPEC.: GS-12-1111  
PACKAGE SPEC.: GS-14-2284  
THIS PRODUCT MEETS EUROPEAN UNION DIRECTIVES AND  
OTHER COUNTRY REGULATIONS AS DESCRIBED IN GS-47-0004  
THE HOUSING WILL WITHSTAND EXPOSURE TO 260°C PEAK  
TEMPERATURE FOR 10 SECONDS IN A CONVECTION, IR OR  
VAPER PHASE REFLOW OVEN.



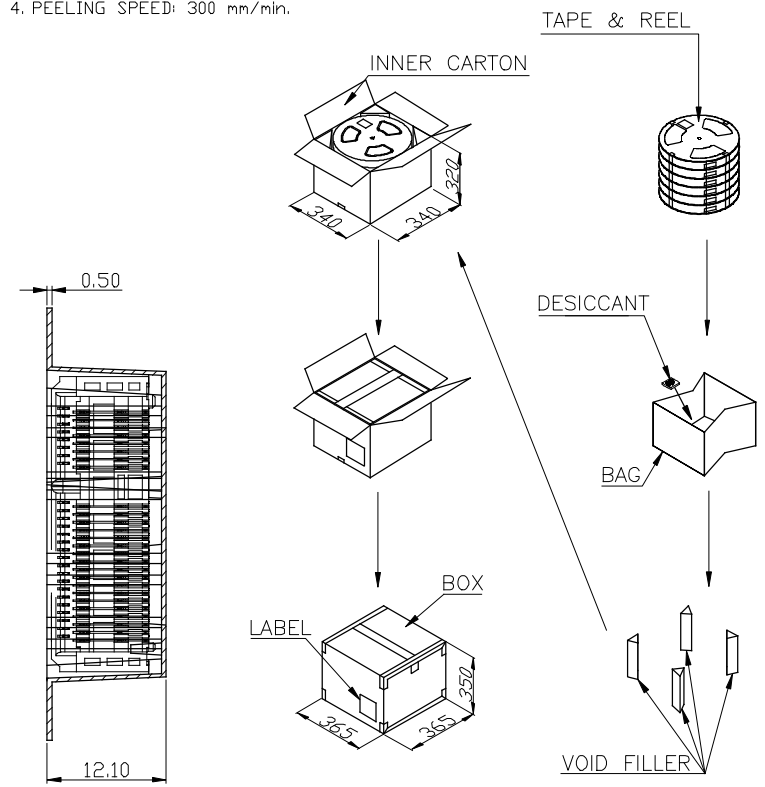
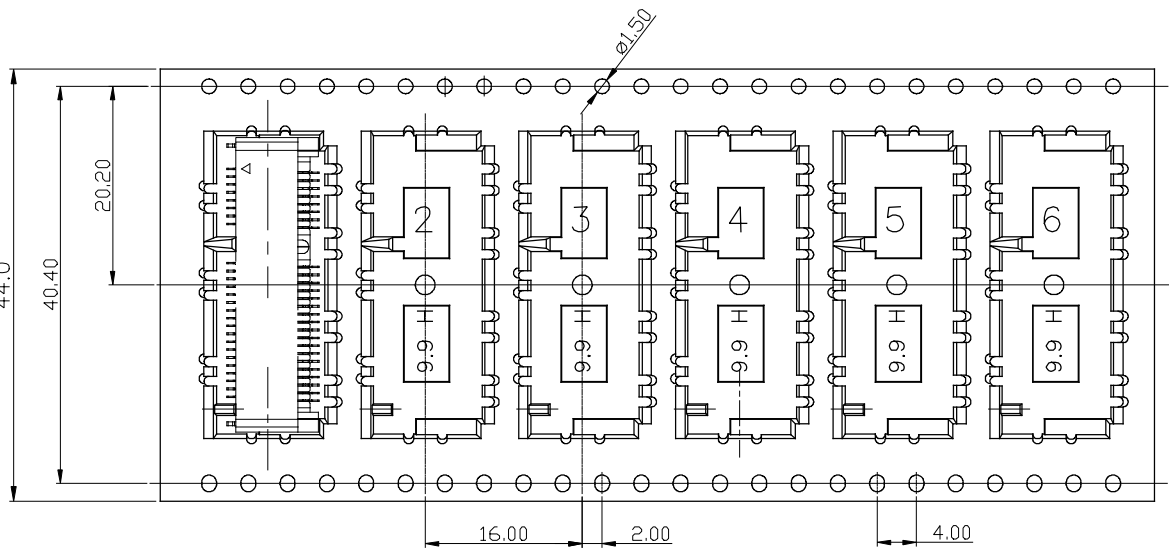
-D- IS THE TOP SURFACE OF PCB  
RECOMMENDED P.C.BOARD PATTERN LAYOUT

mat'l. code		surface		tolerance ASME Y14.5	projection	product family	
ltr	ecn no	dr	date	tolerances unless otherwise specified	MM	title 0.80MM PITCH MINI PCI EXPRESS HIGH=9.9mm 52 PIN CONNECTOR	
A		TAI	2013-01-29	angles			
B	ELX-T-14985	TAI	2013-06-17	X°.XX ± 0.30	scale	dwg no 10123920 sheet 1 of 3 size A4	
				X°.XX ± 0.20			
				X°.XXX ± 0.15		type CUSTOMER Drawing	
				dr	KENNY TAI		
				enr	KENNY TAI	2013-01-29	
				chr	KENNY TAI	2013-01-29	
				appd	PM ZHENG	2013-01-29	
sheet index	revision sheet	B	B	B			
		1	2	3			

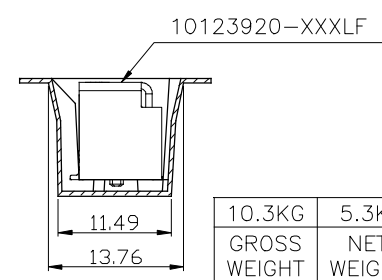


NOTES:

1. MATERIAL:  
 BOX: FIBREBOARD, CORRUGATED, DOUBLE WALL.  
 COVER TAPE: PET, 120C° HEAT-RESISTANT TEMPERATURE, TRANSPARENT COLOR.  
 CARRIER TAPE: POLYSTYRENES, 120C° HEAT-RESISTANT TEMPERATURE, TRANSPARENT COLOR.  
 REEL: HIPS, 70C° HEAT-RESISTANT TEMPERATURE, BLUE COLOR.  
 BAG: POLYETHYLENES, 100C° HEAT-RESISTANT TEMPERATURE, TRANSPARENT COLOR.
2. EACH BAG SHALL BE INCLUDED DESICCANT.
3. PEELING STRENGTH: 0.1 ~ 1.3 N (10 ~ 130 GRAMS).
4. PEELING SPEED: 300 mm/min.

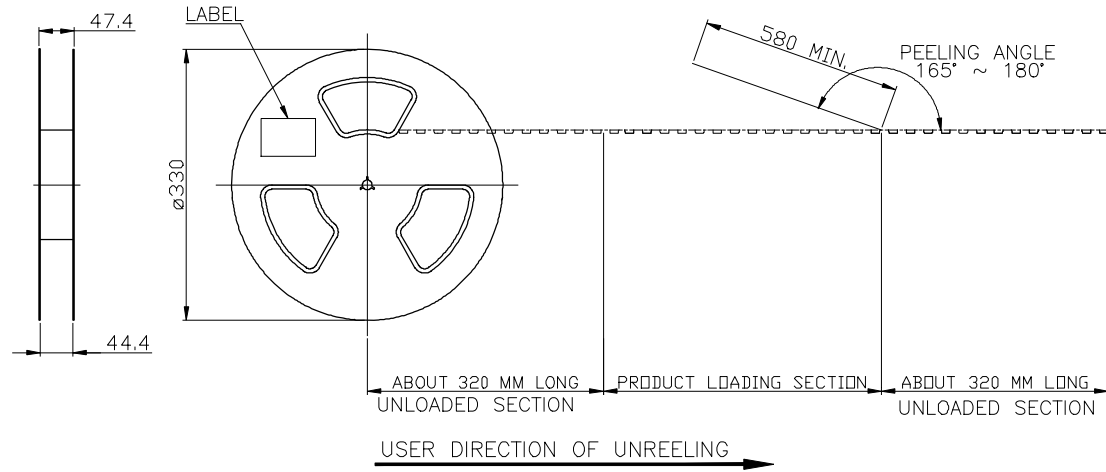


STANDARD TAPE & REEL  
(FOR -XXOLF)



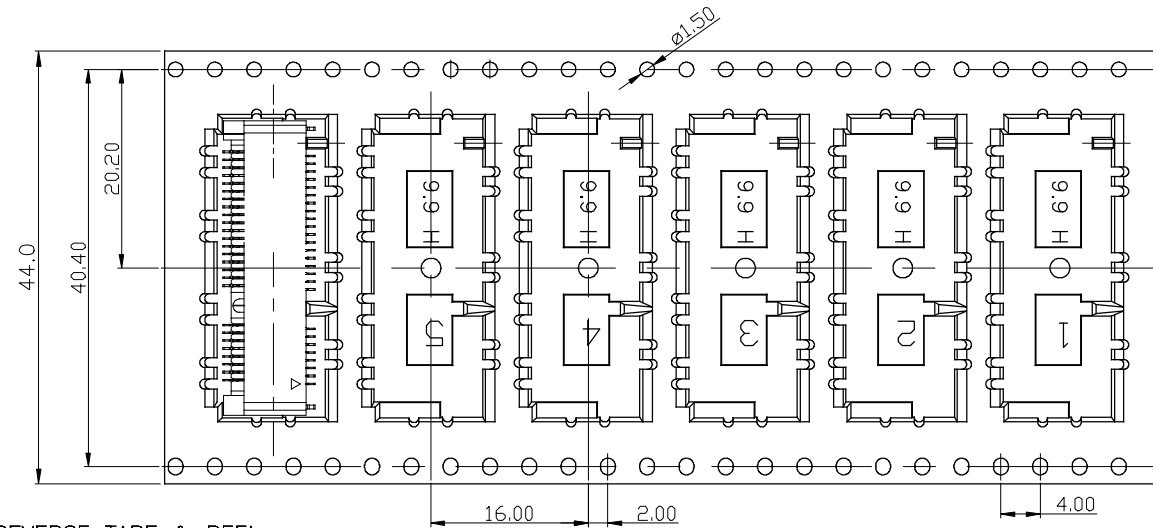
10.3KG	5.3KG	300	6	1800
GROSS WEIGHT	NET WEIGHT	PCS/ REEL	REEL/ BOX	PCS/ BOX

mat'l. code		surface		tolerance ASME Y14.5		projection		product family	
ltr	ecn no	dr	date	tolerances unless otherwise specified		MM		title	
A		TAI	2013-01-29	angles	0.1	X.X ± 0.30	FCI	0.80MM PITCH MINI PCI EXPRESS HIGH=9.9mm 52 PIN CONNECTOR	
B	ELX-T-14985	TAI	2013-06-17	0.1	0.1	X.XX ± 0.20			
				X*±4'		X.XXX ± 0.15	scale	dwg no sheet 2 of 3 size	
				dr	KENNY TAI	2013-01-29		10123920 A4	
				enr	KENNY TAI	2013-01-29		type CUSTOMER Drawing	
				chr	KENNY TAI	2013-01-29			
				appd	PM ZHENG	2013-01-29			
sheet index	revision sheet	B	B	B					
		1	2	3					

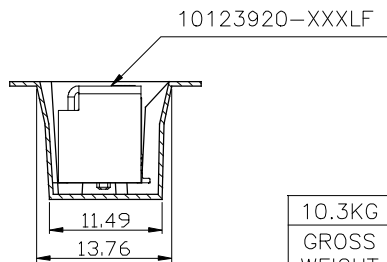


NOTES:

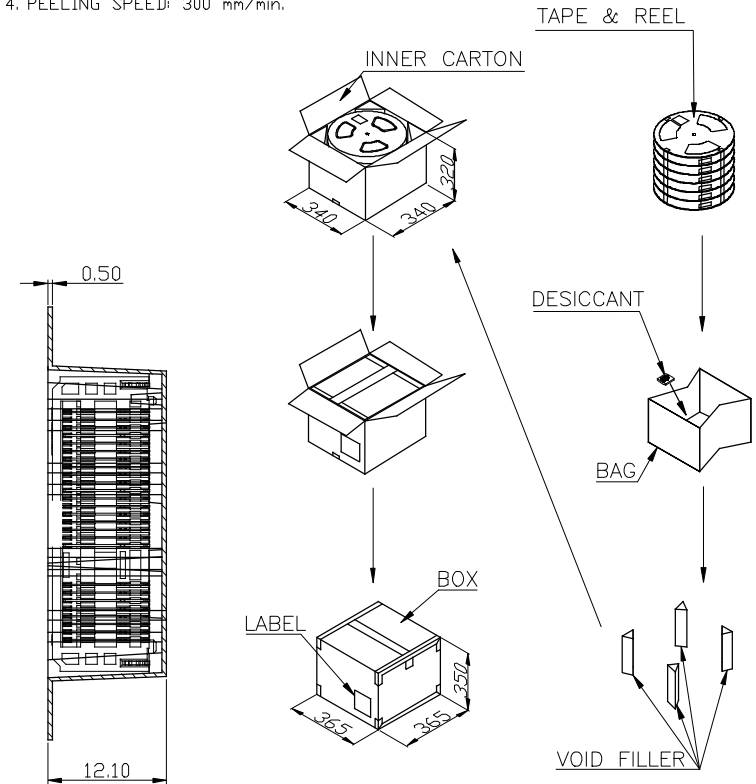
1. MATERIAL:  
 BOX: FIBREBOARD, CORRUGATED, DOUBLE WALL.  
 COVER TAPE: PET, 120C° HEAT-RESISTANT TEMPERATURE, TRANSPARENT COLOR.  
 CARRIER TAPE: POLYSTYRENES, 120C° HEAT-RESISTANT TEMPERATURE, TRANSPARENT COLOR.  
 REEL: HIPS, 70C° HEAT-RESISTANT TEMPERATURE, BLUE COLOR.  
 BAG: POLYETHYLENES, 100C° HEAT-RESISTANT TEMPERATURE, TRANSPARENT COLOR.
2. EACH BAG SHALL BE INCLUDED DESICCANT.
3. PEELING STRENGTH: 0.1 ~ 1.3 N (<10 ~ 130 GRAMS).
4. PEELING SPEED: 300 mm/min.



REVERSE TAPE & REEL  
(FOR -XX1LF)



10.3KG	5.3KG	300	6	1800
GROSS WEIGHT	NET WEIGHT	PCS/ REEL	REEL/ BOX	PCS/ BOX



mat'l. code		surface		tolerance <input checked="" type="checkbox"/> ASME Y14.5		projection		product family	
ltr	ecn no	dr	date	tolerances unless otherwise specified		MM		title	
A		TAI	2013-01-29	angles	0.1	X.X ± 0.30	←	0.80MM PITCH MINI PCI EXPRESS HIGH=9.9mm 52 PIN CONNECTOR	
B	ELX-T-14985	TAI	2013-06-17	0.2	X.XX ± 0.20				
				X*±4°	0.15	X.XXX ± 0.15	scale	dwg no	
				dr	KENNY TAI	2013-01-29		sheet 3 of 3	
				enr	KENNY TAI	2013-01-29		10123920	
				chr	KENNY TAI	2013-01-29		A4	
				appd	PM ZHENG	2013-01-29	type		CUSTOMER Drawing
sheet index	revision sheet	B	B	B					
		1	2	3					