

PRODUCT NUMBER	PITCH
TSxx01xC00J0G	7.62 mm

Dimension

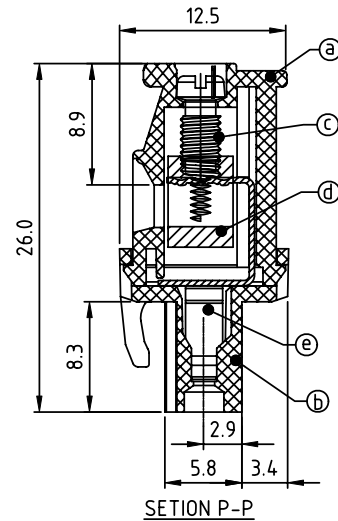
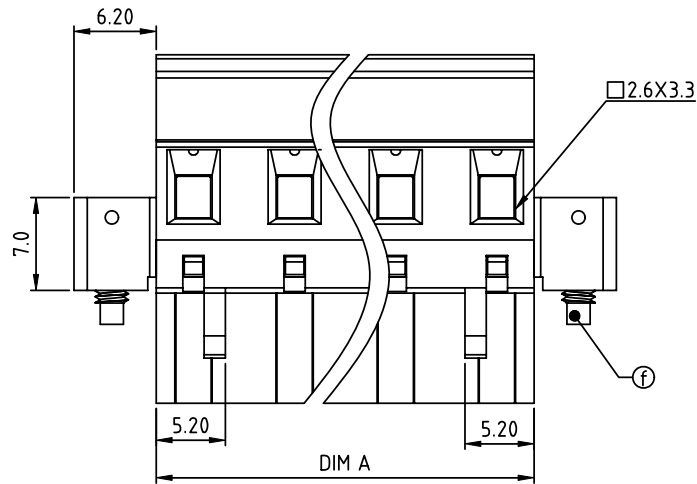
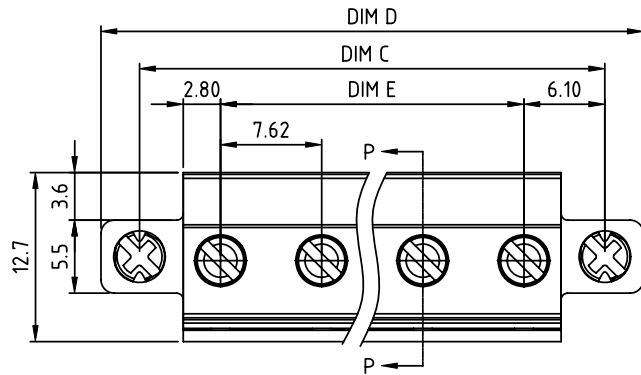
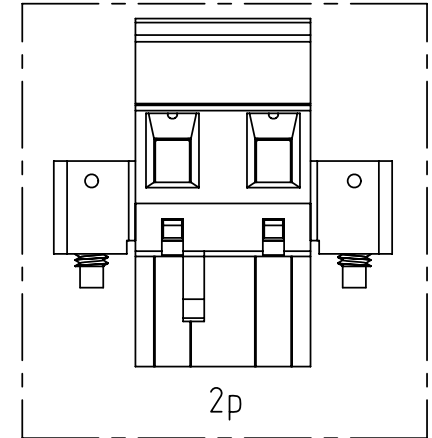
Dim A	$(N-1) \times 7.62 + 5.6$
Dim B	$(N-1) \times 7.62$
Dim C	$(N-1) \times 7.62 + 12.2$
Dim D	$(N-1) \times 7.62 + 18.0$
Dim E	$(N-1) \times 7.62$

N=Number of poles

Poles	Tolerance
2P-7P	± 0.25
8P-12P	± 0.30
13P-16P	± 0.40

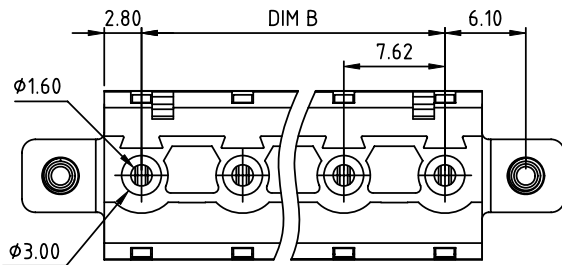
PART NO.: TS xx 01 x C 00J0 G

- Solid block 0 Black (RAL9005)
 - No. of poles 2 Red (RAL3001/D)
 - 02 2 poles 3 Orange(RAL2011/P)
 - 03 3 poles 4 Yellow(RAL1018/A)
 - 5 Green(RAL6018/T)
 - 16 16 poles 6 Blue (RAL5015/A)
 - 8 Grey(RAL7035/D)
 - 9 White(RAL1102)
 - C Green(RAL6018/U)
- RoHS compliant (lead<4%)
In copper Alloy



Material

- ItemⒶ Top body:Thermoplastic (UL94V-0)
 - ItemⒷ Bottom body:Thermoplastic (UL94V-0)
 - ItemⒸ Terminal screw:Steel Zinc plating "-" slot type
 - ItemⒹ Clamp:Brass, Ni plated
 - ItemⒺ Female contact:PhBz (CuSn) Tin plated
 - ItemⒻ With flange screw:Steel Zinc plating M2.5 "+/-" combination type
- Electrical cULus/TUV
- Voltage rating: 300VAC/750VAC
 - Current rating: 15A/15A
 - Wire range:0.34-2.5mm²
 - Solid wire(AWG): 12-24
 - Stranded wire(AWG): 12-24
 - Torque: 3.5 Lb-In 0.4Nm
 - Screw: M3
 - Wire strip length: 6-7mm
 - Withstanding Voltage: 1.6KV/6KV
 - Operating temperature: -40°C to +115°C
 - Safety Approval: cULus TUV



mat'l. code		surface ASME Y14.5 ✓	tolerance ASME Y14.5	projection MM	product family TERMINAL BLOCK
ltr	ecn no	dr	date		title TERMINAL BLOCK PLUGGABLE PLUG,HOOK ON ENTRY SIDE, WITH FLANGE
tolerances unless otherwise specified					
angles		X.±0.5			sheet 1 of 1 size A4
X*±1°		X.X±0.3			
dr		EVIN ZHONG	041914		type CUSTOMER Drawing
enr		EVIN ZHONG	041914		
chr		HANKE FENG	041914		
appd		SHI JUN	041914		
sheet index	revision	A			
	sheet	1			