

NOTES:

1.MATERIAL:

HOUSING:HIGH TEMPERATURE THERMAL PLASTIC,BLACK,30 GLASS FILLED, UL94V-0.
 TERMINAL: COPPER ALLOY.
 SHELL: COPPER ALLOY.

2.PLATING:

TERMINAL:CONTACT AREA : (1) 0.76MICROMETER GOLD PLATING
 (2) GOLD FLASH PLATING

AND SOLDER TAIL(a) 1-3MICROMETER MATT TIN PLATING
 (b)GOLD FLSAH PLATING

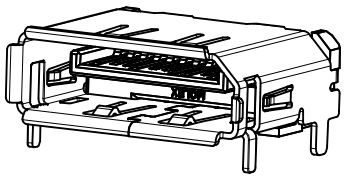
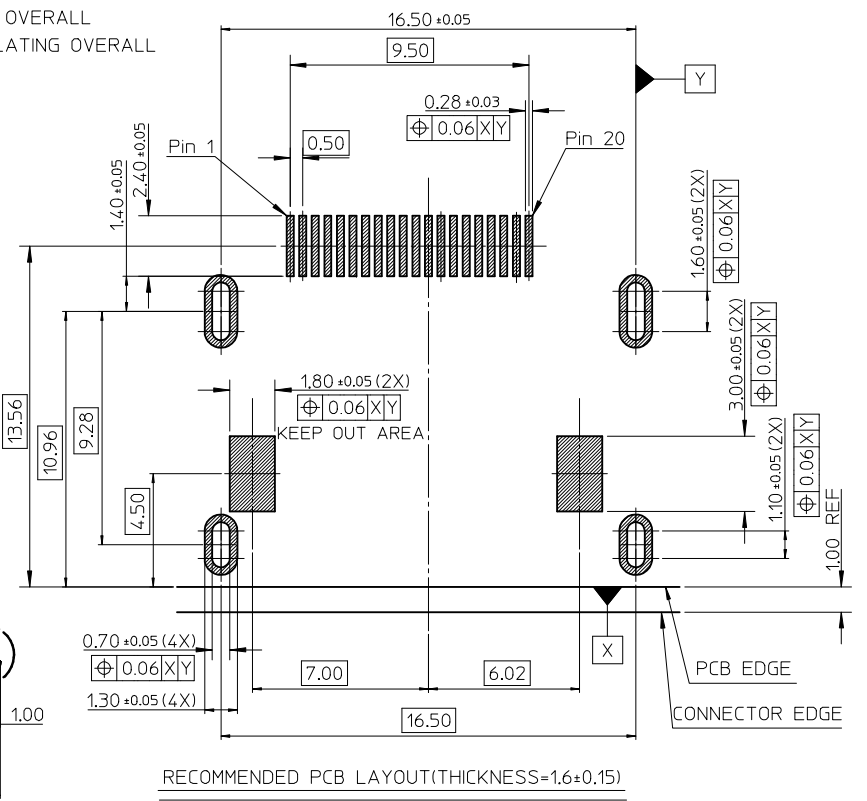
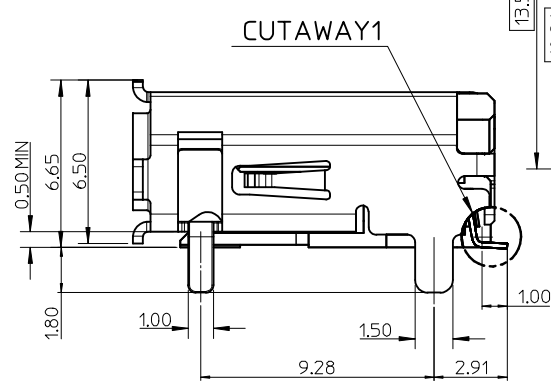
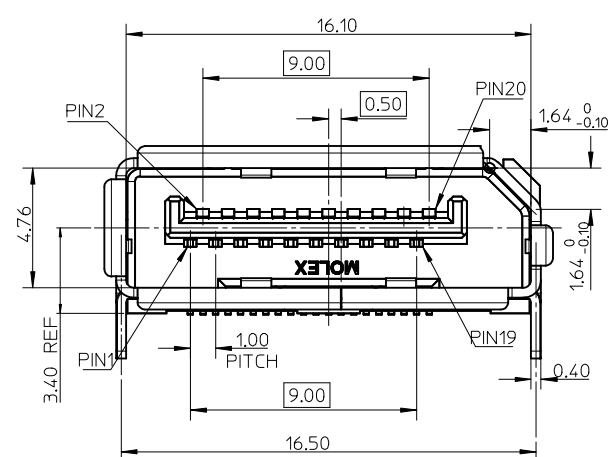
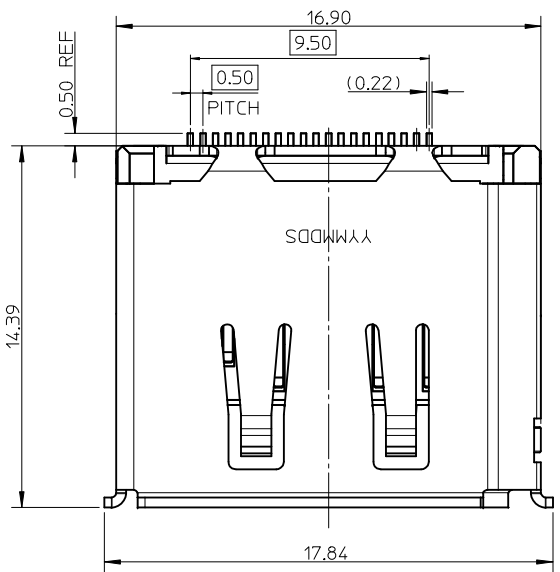
UNDER PLATING: 1 MICROMETER MIN. NICKEL PLATING OVERALL

SHELL:1.27~2.54 MICROMETER SOLDERABLE NICKEL PLATING OVERALL

3. SOLDER TAIL COPLANARITY 0.10MAX.

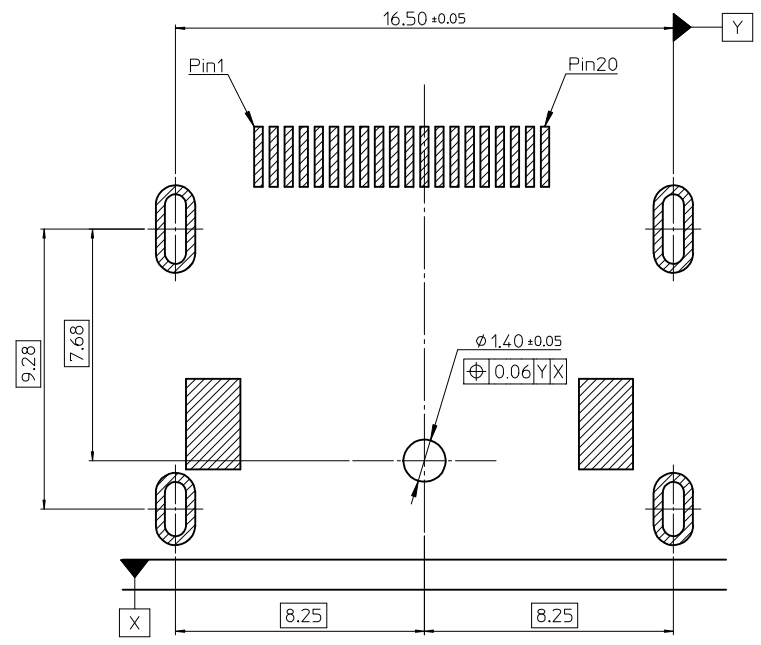
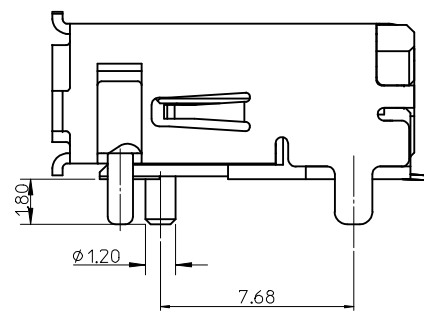
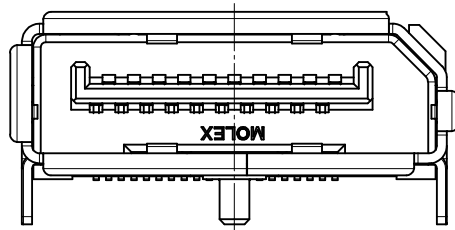
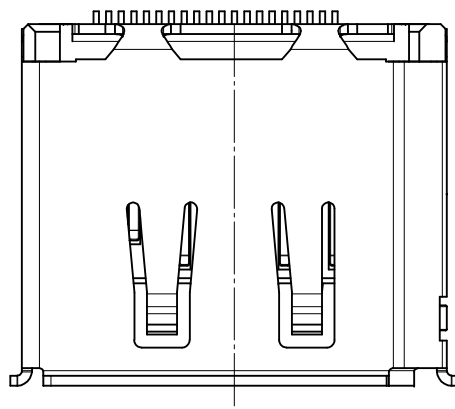
4. PRODUCT SPECIFICATION REFER TO PS-47272-001

5. PACKAGE SPECIFICATION REFER TO PK-105019-001



REVISED EC NO: SH2015-0046 DR:WNRZhang CH:KDRZhang APPR:AYIN 2014/07/30 2014/07/30 2014/08/13	QUALITY SYMBOLS $F_A=0$ $F_B=0$ $F_C=0$	GENERAL TOLERANCES (UNLESS SPECIFIED)		DIMENSION STYLE MM ONLY		SCALE 1:1	DESIGN UNITS METRIC	THIRD ANGLE PROJECTION	
		4 PLACES ± --- ± ---	mm INCH	DRAWN BY HHE	DATE 2007/05/12	TITLE 1.0MM PITCH DISPLAY PORT REVERSE TYPE R/A RECEPTACLE			
		3 PLACES ± --- ± ---		CHECKED BY HWWANG	DATE 2007/05/12	molex			
		2 PLACES ± 0.25 ± ---		APPROVED BY JNCHEN	DATE 2007/05/12				
		1 PLACE ± 0.25 ± ---		MATERIAL NO. SEE SHEET 2	DOCUMENT NO. SD-105019-001	SHEET NO. 1 OF 2			
		0 PLACE ± ±		THIS DRAWING CONTAINS INFORMATION THAT IS PROPRIETARY TO MOLEX INCORPORATED AND SHOULD NOT BE USED WITHOUT WRITTEN PERMISSION					
D3	REV	ANGULAR ± 2 ° DRAFT WHERE APPLICABLE MUST REMAIN WITHIN DIMENSIONS							

P/N	POST	PLATING ON CONTACT AREA	PLATING ON SOLDEING TAIL
105019-0001	WITHOUT	SEE NOTE 2(1)	SEE NOTE 2(a)
105019-0002	WITH	SEE NOTE 2(1)	SEE NOTE 2(a)
105019-0005	WITHOUT	SEE NOTE 2(2)	SEE NOTE 2(a)
105019-0006	WITH	SEE NOTE 2(2)	SEE NOTE 2(a)
105019-0007	WITHOUT	SEE NOTE 2(1)	SEE NOTE 2(b)
105019-0008	WITHOUT	SEE NOTE 2(2)	SEE NOTE 2(b)



WITH POST

NOTES:
1. UNSPECIFIED DIMENSION ARE SAME AS SHEET1

SEE SHEET 1 EC NO: SH2015-0046 DR: WZRZHANG CHK: RZHANG APPR: AYIN 2014/07/30 2014/07/30 2014/08/13	QUALITY SYMBOLS $\nabla_A = 0$ $\nabla_C = 0$ $\nabla_P = 0$	GENERAL TOLERANCES (UNLESS SPECIFIED) mm INCH 4 PLACES ± --- ± --- 3 PLACES ± --- ± --- 2 PLACES ± 0.25 ± --- 1 PLACE ± 0.25 ± --- 0 PLACE ± ±	DIMENSION STYLE MM ONLY	SCALE 1:1	DESIGN UNITS METRIC	THIRD ANGLE PROJECTION	
	DRAFT WHERE APPLICABLE MUST REMAIN WITHIN DIMENSIONS	ANGULAR ± 2 °	DRAWN BY: HHE DATE: 2007/05/12	CHECKED BY: HWWANG DATE: 2007/05/12	TITLE 1.0MM PITCH DISPLAY PORT REVERSE TYPE R/A RECEPTACLE		
	APPROVED BY: JNCHEN DATE: 2007/05/12	MATERIAL NO.	SEE CHART	DOCUMENT NO. SD-105019-001	SHEET NO. 2 OF 2		
	THIS DRAWING CONTAINS INFORMATION THAT IS PROPRIETARY TO MOLEX INCORPORATED AND SHOULD NOT BE USED WITHOUT WRITTEN PERMISSION						