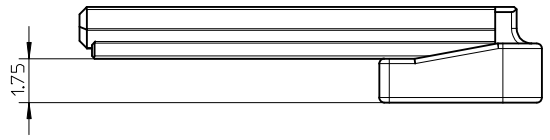
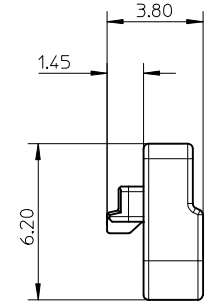
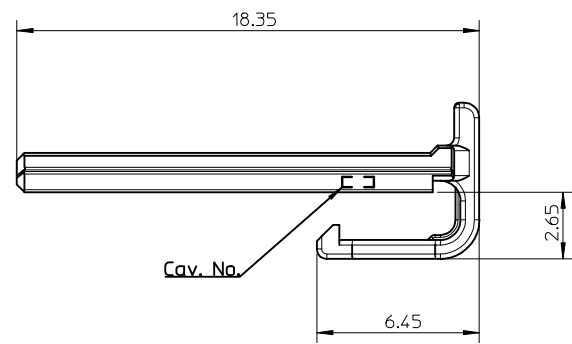
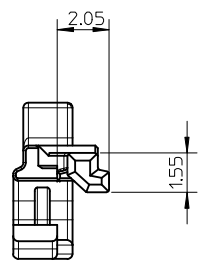
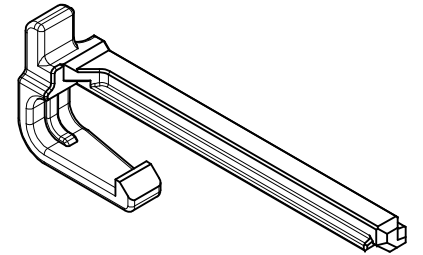


GENERAL TOLERANCE									USED ON	
10 MAX	30 MAX	50 MAX	70 MAX	100 MAX	120 MAX	250 MAX	250 OVR	ANGLE	ECCENT	
±0.15	±0.20	±0.30	±0.40	±0.50	±0.75	±0.90	±1.4	±0.5°	0.1	



- NOTES:
- MATERIAL : POLYESTER (PBT), GLASS FILLED, UL94V-0
COLOR : GRAY
 - APPLICABLE HOUSING : 560123-0800
 - GENERAL TOLERANCE : SEE TABLE
 - ELV AND RoHS COMPLIANT
 - PRODUCT SPECIFICATION : PS-560123-001
 - PRODUCT SPECIFICATION : PK-560125-001

ORDER NO	MATERIAL NO
560125-0800	5601250800

NEW RELEASE EC NO: KTR2014-0051 DRWN: YIBA EK 2014/07/09 CHKD: APPR: SRTAK 2014/08/26	QUALITY SYMBOLS	GENERAL TOLERANCES (UNLESS SPECIFIED) mm INCH 4 PLACES ± --- ± --- 3 PLACES ± --- ± --- 2 PLACES ± --- ± --- 1 PLACE ± --- ± --- ANGULAR ± ---°	DIMENSION STYLE	SCALE	DESIGN UNITS	THIRD ANGLE PROJECTION	
	▼=0 □=0		MM ONLY	5:1	METRIC	☉ □ THIRD ANGLE PROJECTION	
	DESCRIPTION	DRAFT WHERE APPLICABLE MUST REMAIN WITHIN DIMENSIONS	DRAWN BY DATE YIBA EK 2014/07/09 CHECKED BY DATE APPROVED BY DATE SRTAK 2014/08/26	TITLE	NEW 2.0 PITCH W/B CONN REC. 8WAY ISL DURACLIC™ ISL SERIES MOLEX INCORPORATED		
	REV		MATERIAL NO.	SEE TABLE	DOCUMENT NO.	SD-560125-005	