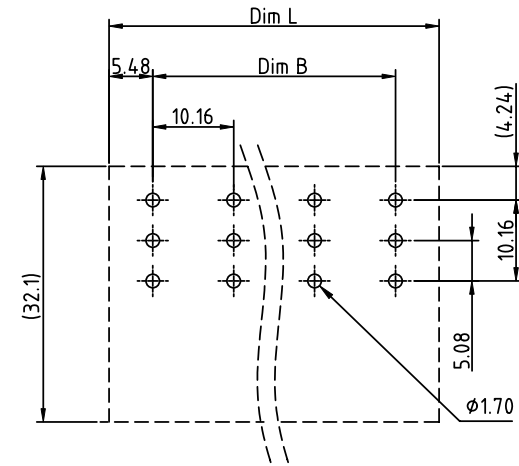
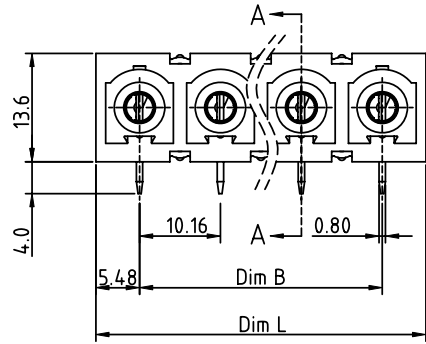
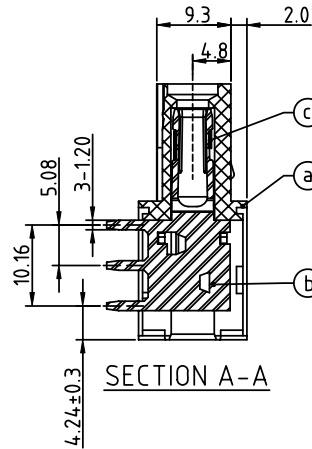
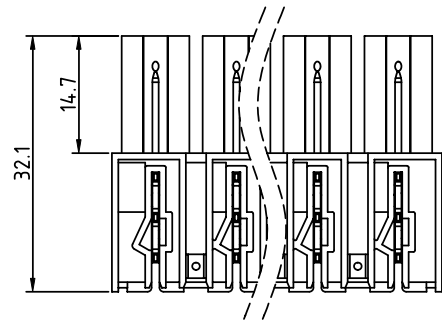


PRODUCT NUMBER	PITCH
KLxx61x100J0G	10.16 mm



RECOMMENDED P.C.B LAYOUT
TOP VIEW



SECTION A-A

Material:

- Item Ⓐ Terminal(housing): Thermoplastic(UL94-V0)
- Item Ⓓ Pin: Copper Tin plated
- Item Ⓒ Wire guard :Stainless Steel

Electrical: cULus /IEC

- Voltage rating: 300V/1000V
- Current rating: 55A / 76A
- Withstanding Voltage:1.6 KV / 8 KV
- Operating temperature:-40°C to +115°C
- Soldering temperature:260°C±5°C/5 Sec
- Safety Approval:

PART NO.: KL xx 61 x 1 00J0 G

DIMENSION

Dim L	$N \times 10.16 + 0.8$
Dim B	$(N-1) \times 10.16$

N=Number of poles

Poles	Tolerance
2p-6p	±0.25
7p-12p	±0.35

Solid block	No. of poles	Color	RoHS compliant (lead<4%) In copper Alloy
0	2	Black (RAL9005)	
02	2poles	Red (RAL3001/D)	
03	3poles	Orange(RAL2011/P)	
4	...	Yellow(RAL1018/A)	
5	...	Green(RAL6018/T)	
6	12 poles	Blue (RAL5015/A)	
8		Grey(RAL7035/D)	
9		White(RAL1102)	
C		Green(RAL6018/U)	

mat'l. code		surface ASME Y14.5	tolerance ASME Y14.5	projection	product family TERMINAL BLOCK
ltr	ecn no	dr	date		title
				tolerances unless otherwise specified	TERMINAL BLOCK PLUGGABLE PCB PLUG,RIGHT ANGLE UNDER PCB MOUNTING
				angles $X \pm 1^\circ$	scale
				$X \pm 0.5$	MM
				$X.X \pm 0.3$	sheet 1 of 1
				$X.XX \pm 0.1$	size
		dr	EVIN ZHONG	050314	KLxx61x100J0G
		enr	EVIN ZHONG	050314	A4
		chr	HANKE FENG	050314	
		appd	SHI JUN	050314	
sheet index	revision	A			type CUSTOMER Drawing
	sheet	1			