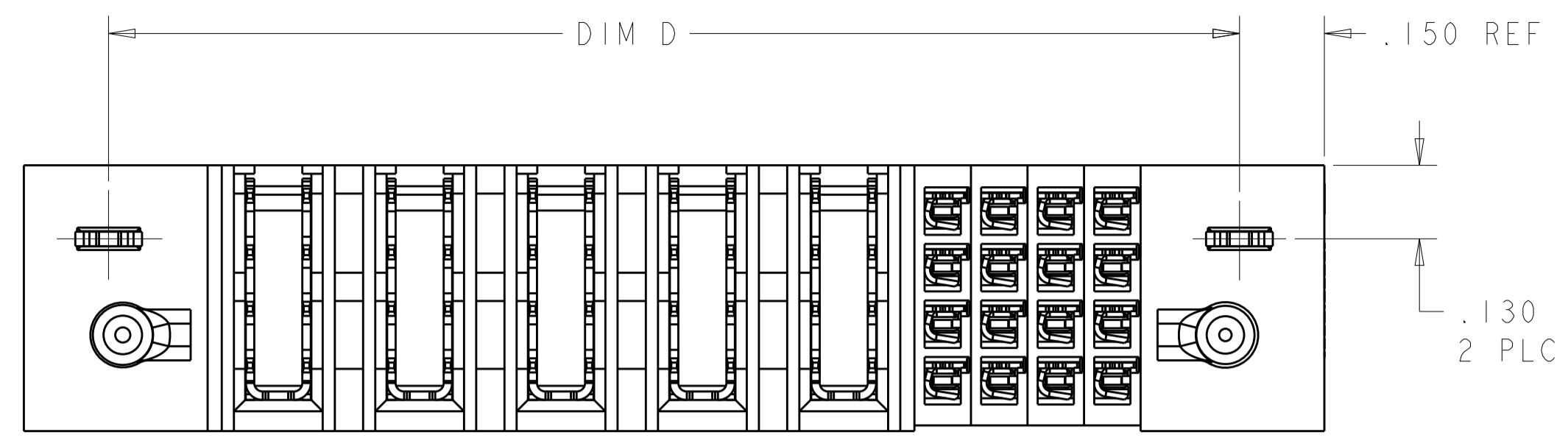
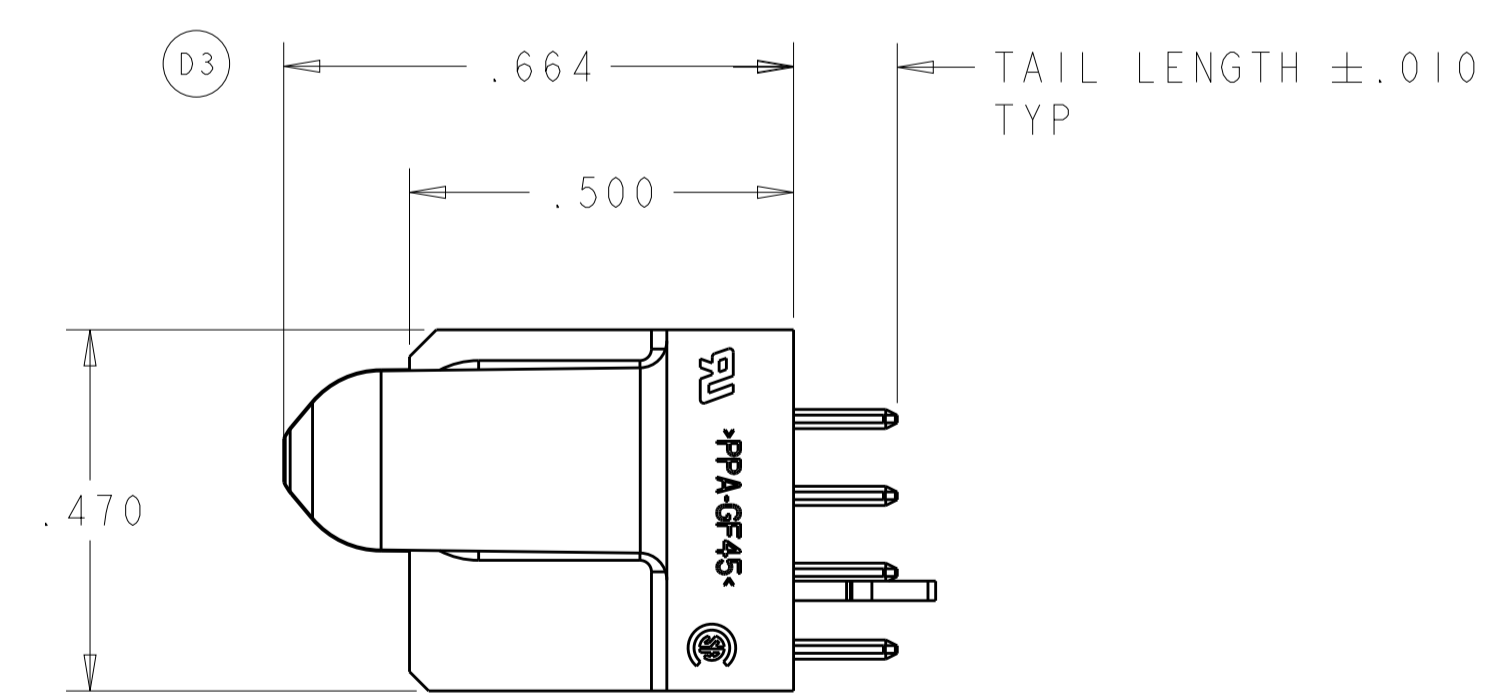
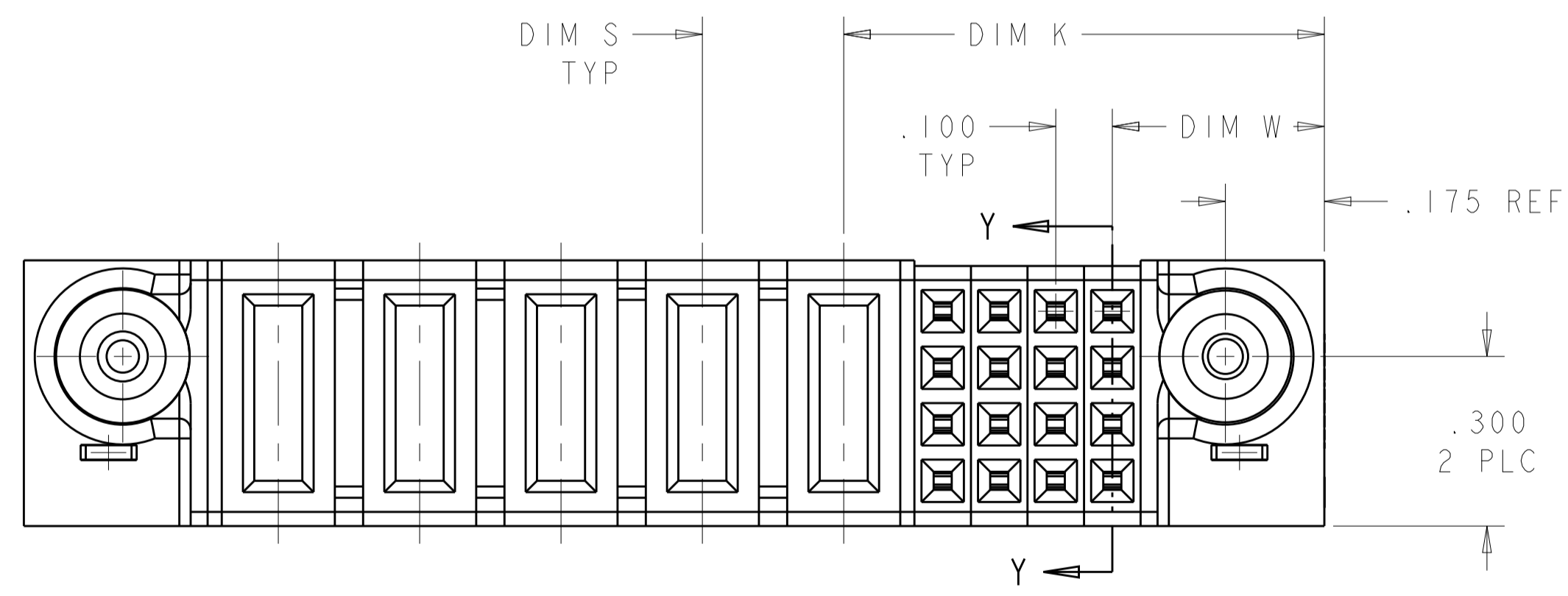
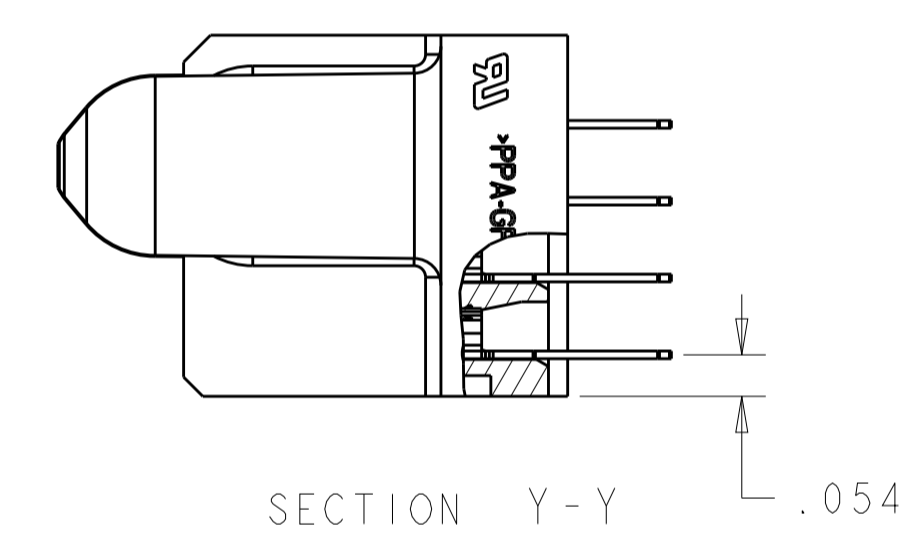
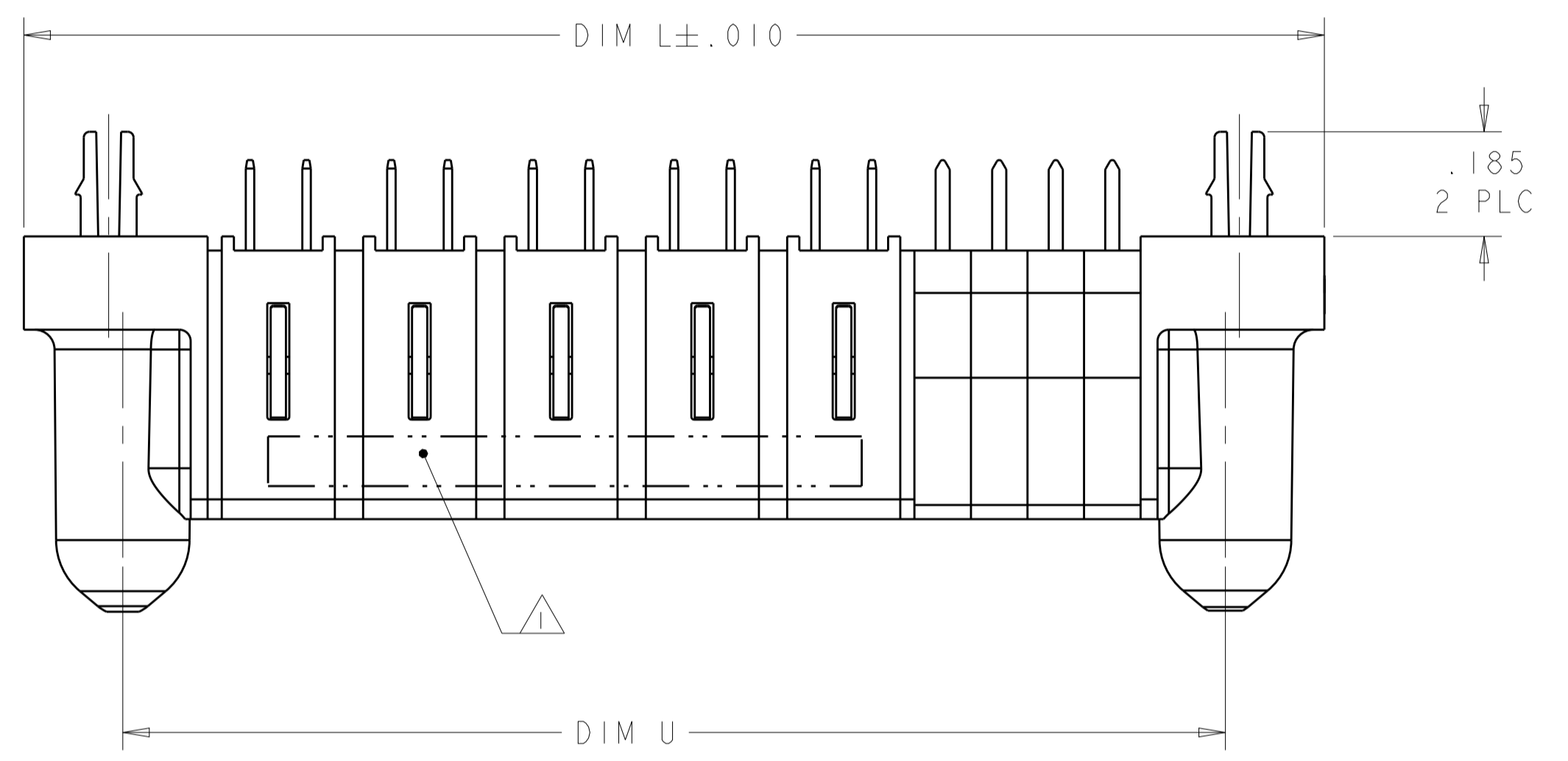


LOC		DIST		REVISIONS			
P	LTN	DESCRIPTION	DATE	DWN	APVD		
ES	00						
	D2	MODIFY THE DRAWING ERROR	02MAR2011	ML	SZ		
	D3	REV PER ECR-11-006021	23MAR2011	ML	SZ		



- ⚠ "AMP", PART NUMBER, AND DATE CODE TO BE MARKED IN AREA SHOWN
- ⚠ MATERIAL: HOUSING - GLASS FILLED HIGH TEMP THERMO PLASTIC, UL94 V-O, BLACK  
 SIGNAL CONTACT -HIGH CONDUCTIVITY COPPER ALLOY  
 POWER CONTACT -HIGH CONDUCTIVITY COPPER ALLOY
- ⚠ CONTACT PLATING: NOBLE METAL PLATING ON CONTACT FUNCTIONAL AREA OF POWER AND SIGNAL CONTACTS
- ⚠ MECHANICAL CONNECTOR KEEP OUT ZONE
- ⚠ DATUM AND BASIC DIMENSIONS ESTABLISHED BY CUSTOMER
- ⚠ PCB - ALL HOLE DIAMETERS ARE FINISHED HOLE SIZES
- ⚠ PCB - .0453±.0010 DRILLED HOLES PLATED WITH .0003 MIN Sn OVER .001 TO .003 CU PLATING TO ACHIEVE A .040±.003 DIA HOLE
- ⚠ NOT RELEASED FOR PRODUCTION.



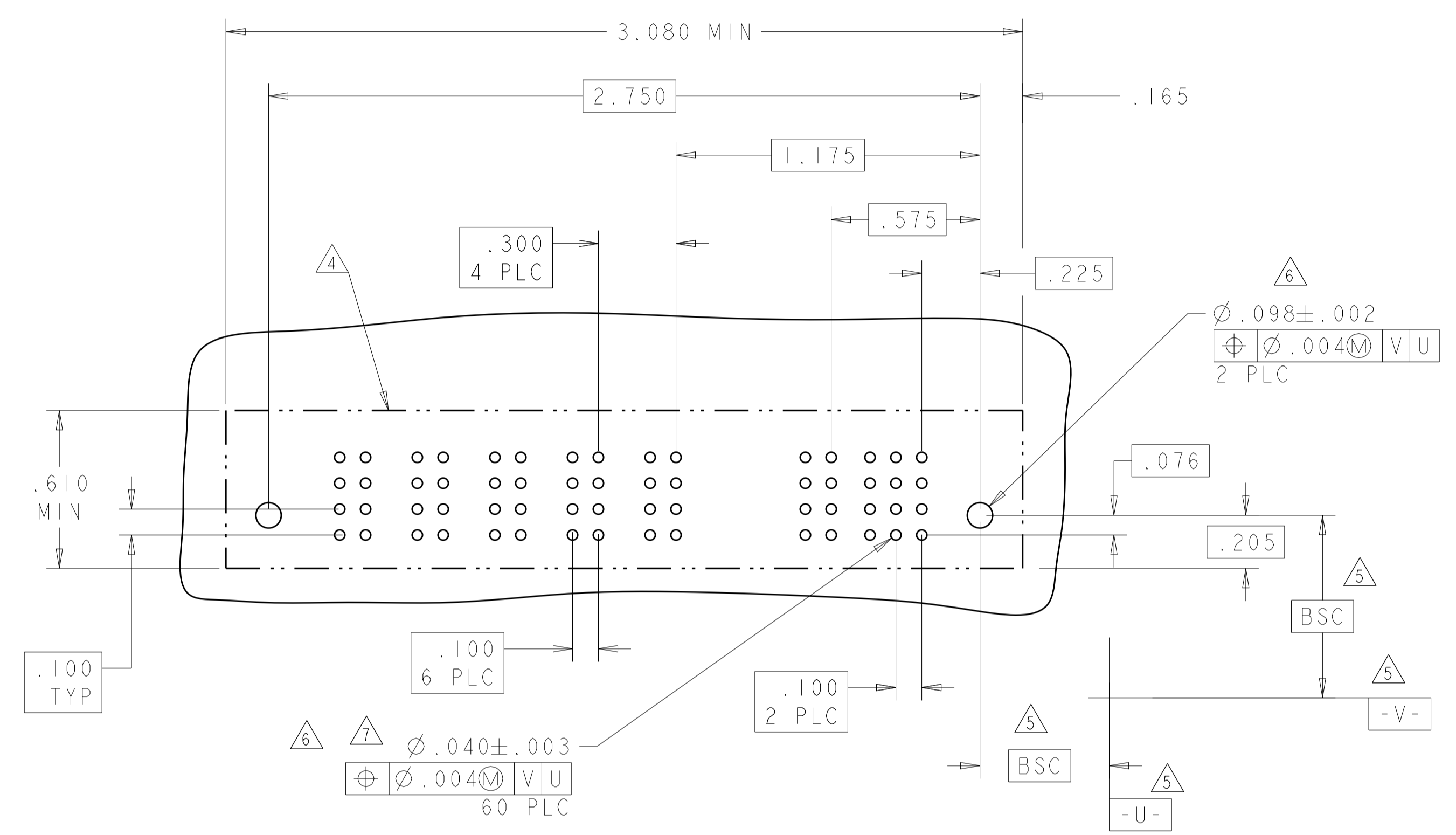
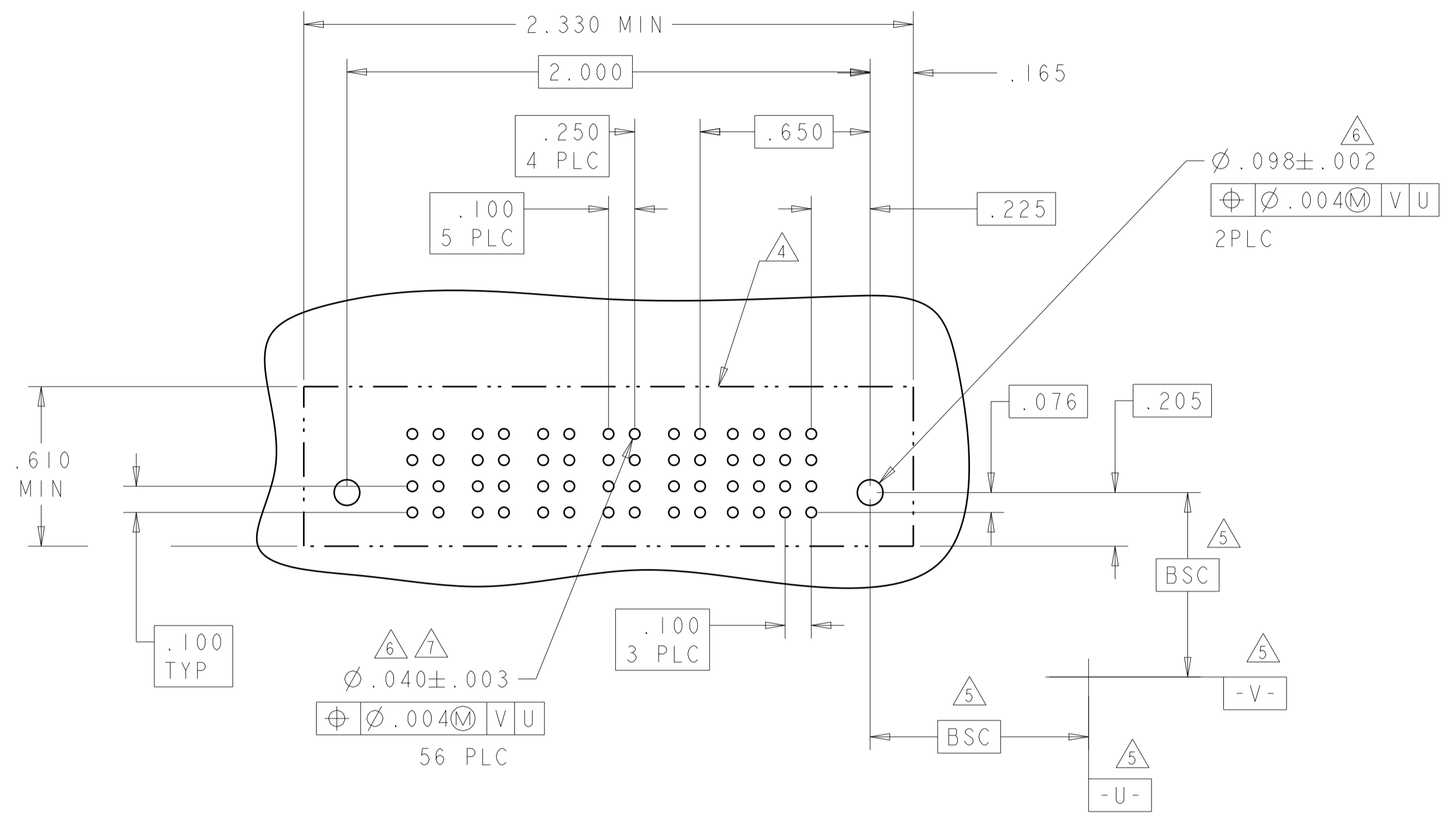
Ⓚ	2.325	2.275	.250	.425	2.625	.925	24S + 6P	6450151-7
Ⓚ	1.600	1.550	.325	.425	1.900	.775	4S + 3ACP	6450151-6
	2.450	2.400	.250	.375	2.750	1.050	24S + 6P	6450151-5
	3.375	3.325	.200	.375	3.675	1.050	24S + 12HDP	6450151-4
	1.900	1.850	.300	.375	2.200	1.125	24S + 3ACP	6450151-3
	2.750	2.700	.300	.375	3.050	.775	12S + 7ACP	6450151-2
	2.000	1.950	.250	.375	2.300	.850	16S + 5P	6450151-1
	DIM D	DIM U	DIM S	DIM W	DIM L	DIM K	DESCRIPTION	PART NUMBER

DIMENSIONS: INCHES 		TOLERANCES UNLESS OTHERWISE SPECIFIED: 0 PLC ±. 1 PLC ±.01 2 PLC ±.01 3 PLC ±.005 4 PLC ±.002 ANGLES ±.020		DWN R. GRZYBOWSKI CHK M. PERCHERKE APVD M. PERCHERKE PRODUCT SPEC 108-1973 APPLICATION SPEC 114-13038 WEIGHT CUSTOMER DRAWING		17FEB05 Tyco Electronics Corporation Shanghai, P.R. China, 200233 NAME VERTICAL RECEPTACLE WITH GUIDES MULTI-BEAM XL SIZE CAGE CODE DRAWING NO A1 00779 C=6450151 SCALE 4:1 SHEET 1 OF 4 REV D4	
---------------------------	--	--	--	---	--	---	--

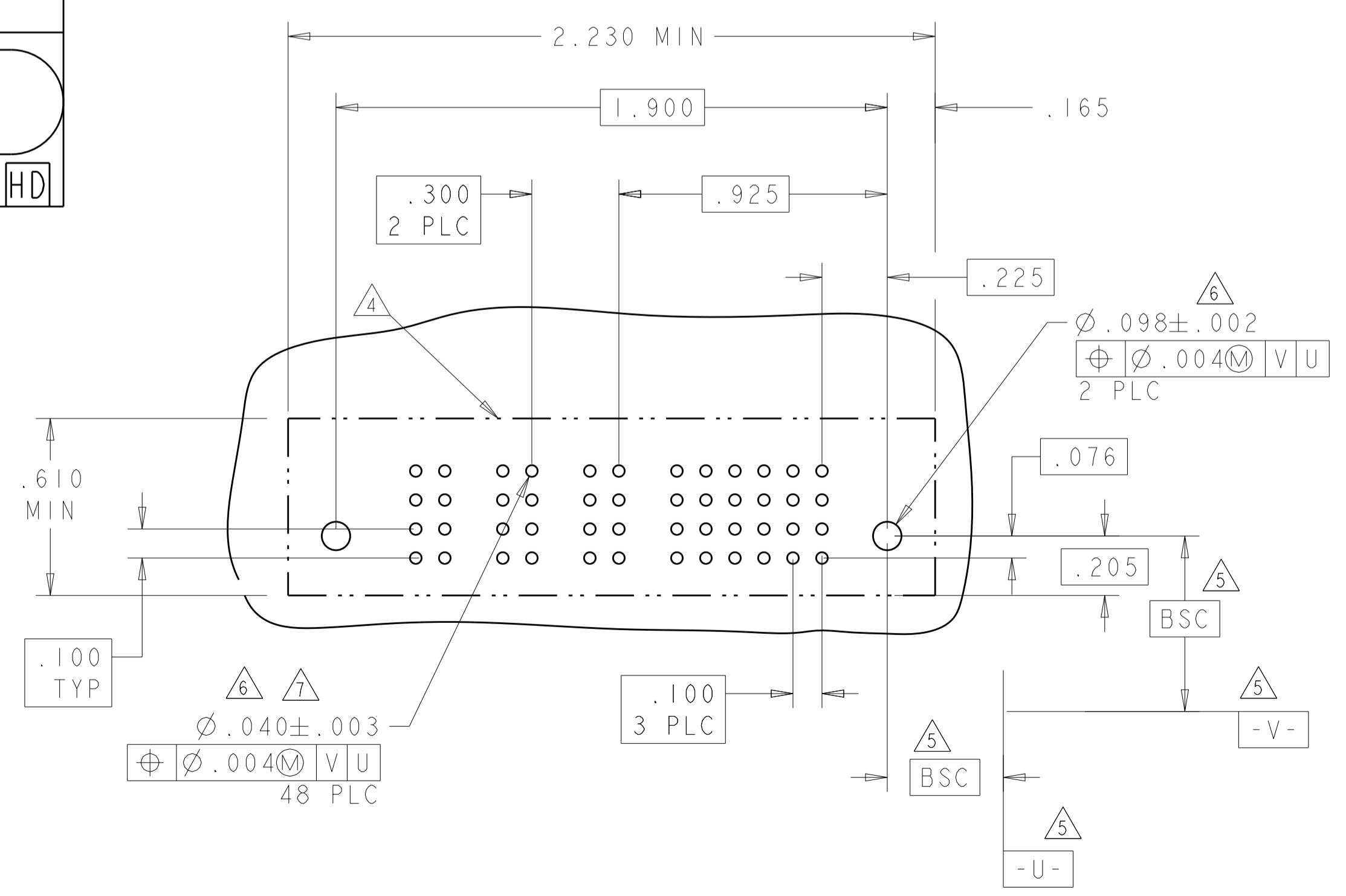
LOC	DIST	REVISIONS					
ES	00	P	LTN	DESCRIPTION	DATE	DWN	APVD
		-		SEE SHEET 1			

ASSY PART NUMBER	ROWS	POWER					SIGNAL			
		P5	P4	P3	P2	P1	4	3	2	1
6450151-1	DCBA	VA	VM	VM	VM	VA	E	E	E	E
		VA	VM	VM	VM	VA	E	E	E	E
		VA	VM	VM	VM	VA	E	E	E	E
		VA	VM	VM	VM	VA	E	E	E	E
16S + 5P		HD								HD

ASSY PART NUMBER	ROWS	POWER							SIGNAL		
		P7	P6	P5	P4	P3	P2	P1	3	2	1
6450151-2	DCBA	VM	VM	VM	VM	VM	VM	VM	E	E	E
		VM	VM	VM	VM	VM	VM	VM	E	E	E
		VM	VM	VM	VM	VM	VM	VM	E	E	E
		VM	VM	VM	VM	VM	VM	VM	E	E	E
12S + 7ACP		HD									HD



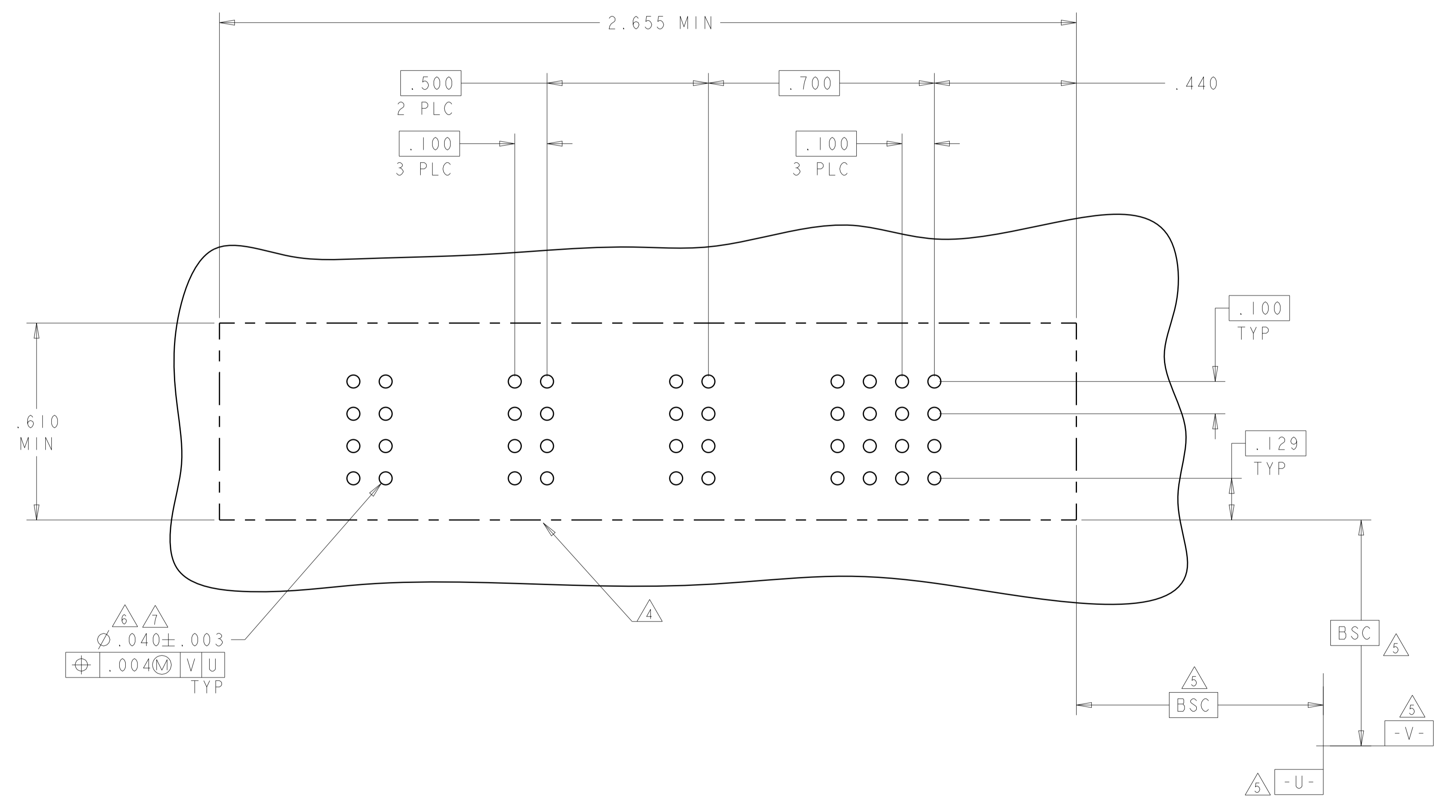
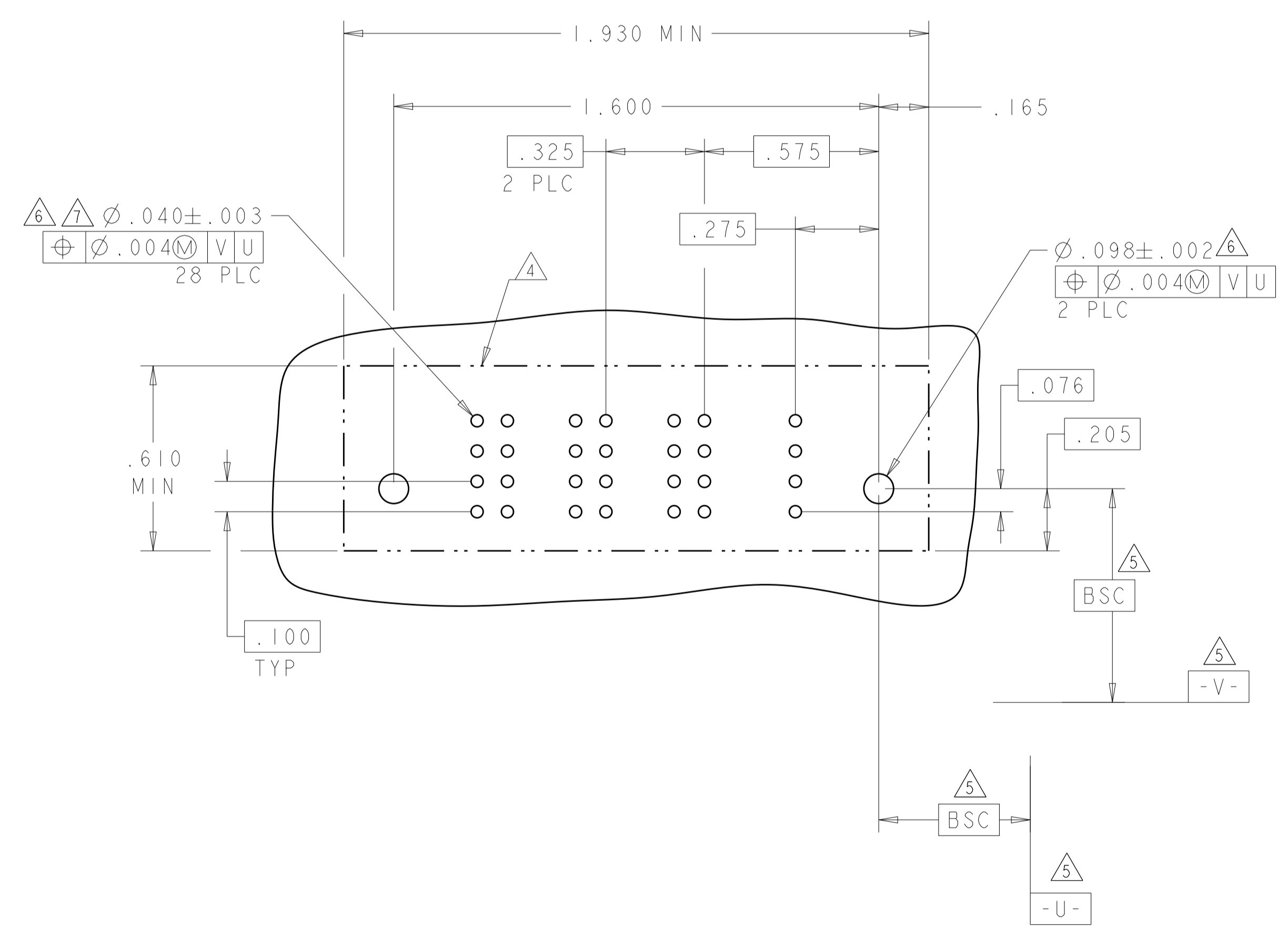
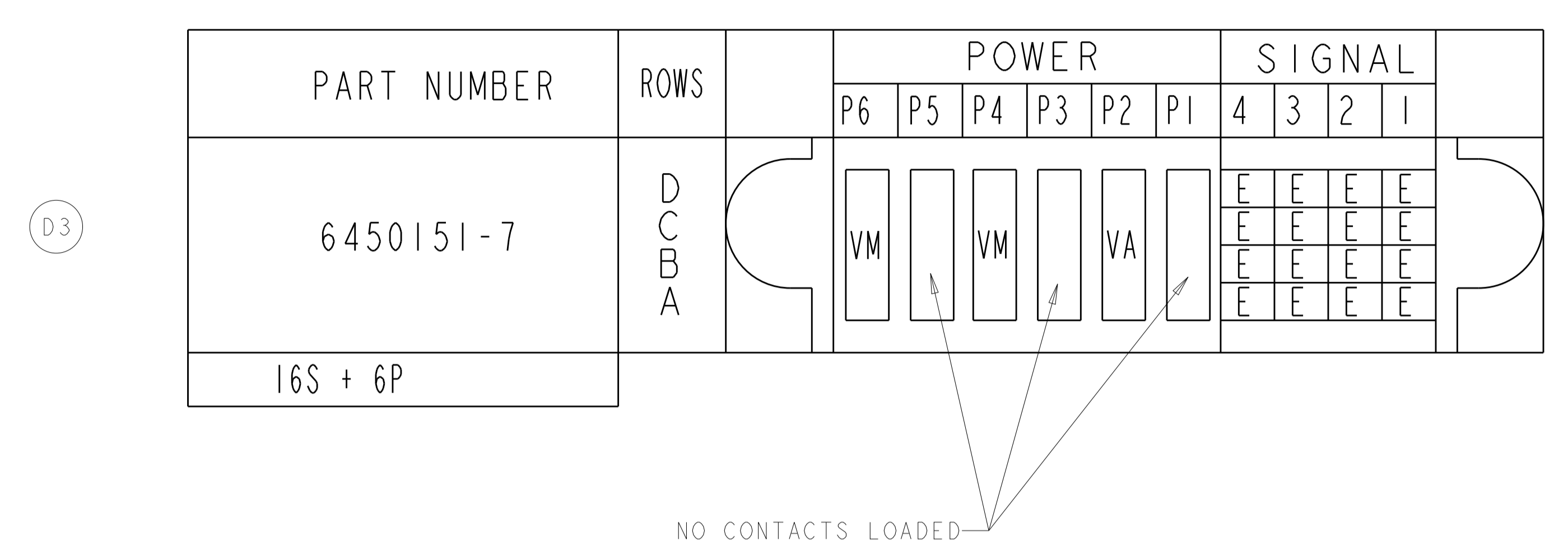
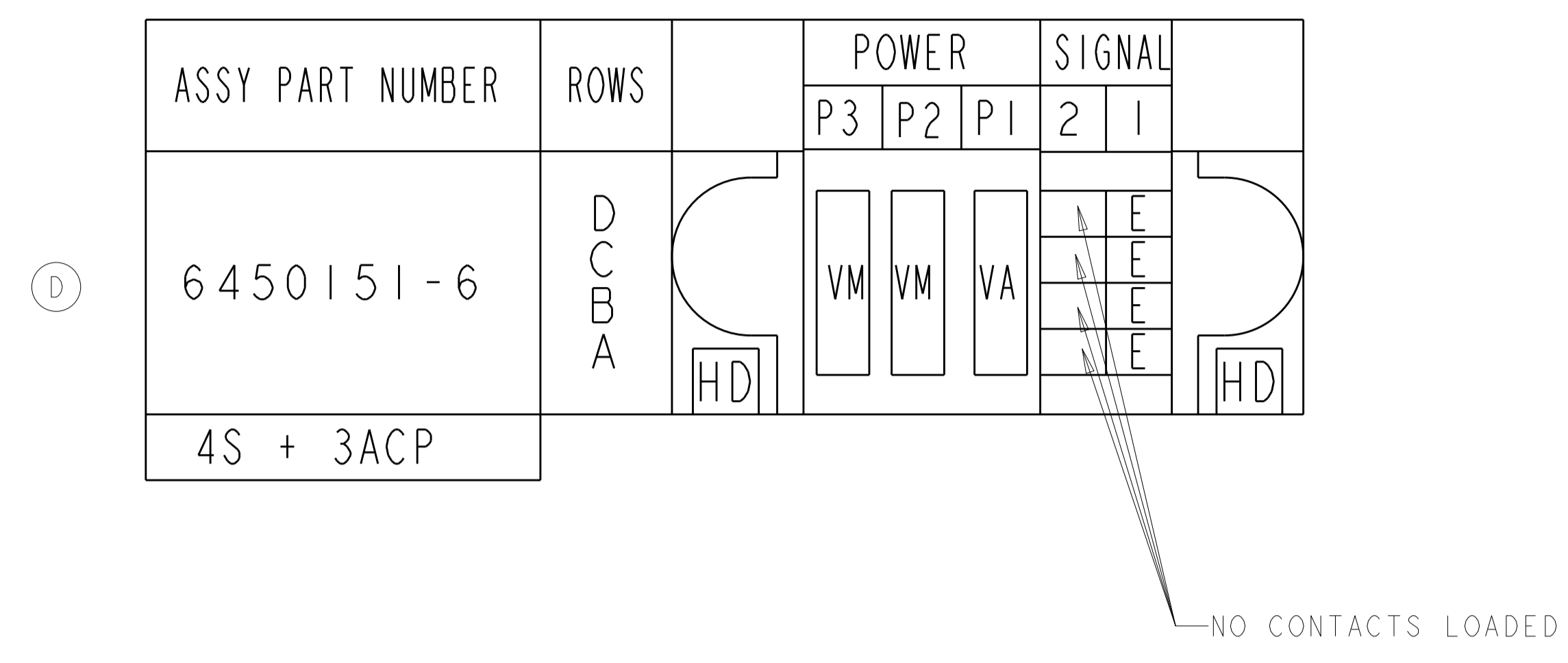
ASSY PART NUMBER	ROWS	POWER			SIGNAL					
		P3	P2	P1	6	5	4	3	2	1
6450151-3	DCBA	VM	VM	VA	E	E	E	E	E	E
		VM	VM	VA	E	E	E	E	E	E
		VM	VM	VA	E	E	E	E	E	E
		VM	VM	VA	E	E	E	E	E	E
24S + 3ACP		HD								HD



<small>THIS DRAWING IS UNPUBLISHED. RELEASED FOR PUBLICATION. IT IS THE PROPERTY OF TYCO ELECTRONICS CORPORATION. IT IS SUBJECT TO CHANGE AND WITHOUT WARRANTY. ORGANIZATION SHOULD BE CONTACTED FOR THE LATEST REVISION.</small>		DWN: R. GRZYBOWSKI 17FEB05 CHK: M. PERCHERKE APVD: M. PERCHERKE	Tyco Electronics Corporation Shanghai, P.R. China, 200233
DIMENSIONS: INCHES 	TOLERANCES UNLESS OTHERWISE SPECIFIED: 0 PLC ±. 1 PLC ±.01 2 PLC ±.01 3 PLC ±.005 4 PLC ±.0020 ANGLES ±.	NAME: VERTICAL RECEPTACLE WITH GUIDES MULTI-BEAM XL PRODUCT SPEC: 108-1973 APPLICATION SPEC: 114-13038	SIZE: A CAGE CODE: 00779 DRAWING NO: 6450151 RESTRICTED TO:
MATERIAL:	FINISH:	WEIGHT:	CUSTOMER DRAWING
SCALE: 4:1		SHEET 2 OF 4 REV D4	



LOC		DIST		REVISIONS			
ES	00	P	LTN	DESCRIPTION	DATE	DMN	APVD
				SEE SHEET 1			



DIMENSIONS:		TOLERANCES UNLESS OTHERWISE SPECIFIED:		DWG: R. GRZYBOWSKI 17FEB05		Tyco Electronics Corporation	
INCHES		0 PLC ± .01		CHK: M. PERCHERKE		Shanghai, P.R. China, 200233	
		1 PLC ± .01		APVD: M. PERCHERKE		NAME: VERTICAL RECEPTACLE WITH GUIDES	
		2 PLC ± .01		PRODUCT SPEC: 108-1973		MULTI-BEAM XL	
		3 PLC ± .005		APPLICATION SPEC: 114-13038		SIZE: A	
		4 PLC ± .0020		WEIGHT: -		CAGE CODE: 00779	
		ANGLES ± .0020		CUSTOMER DRAWING		DRAWING NO: 6450151	
MATERIAL: -		FINISH: -		SCALE: 4:1		SHEET 4 OF 4	
				REV: D			