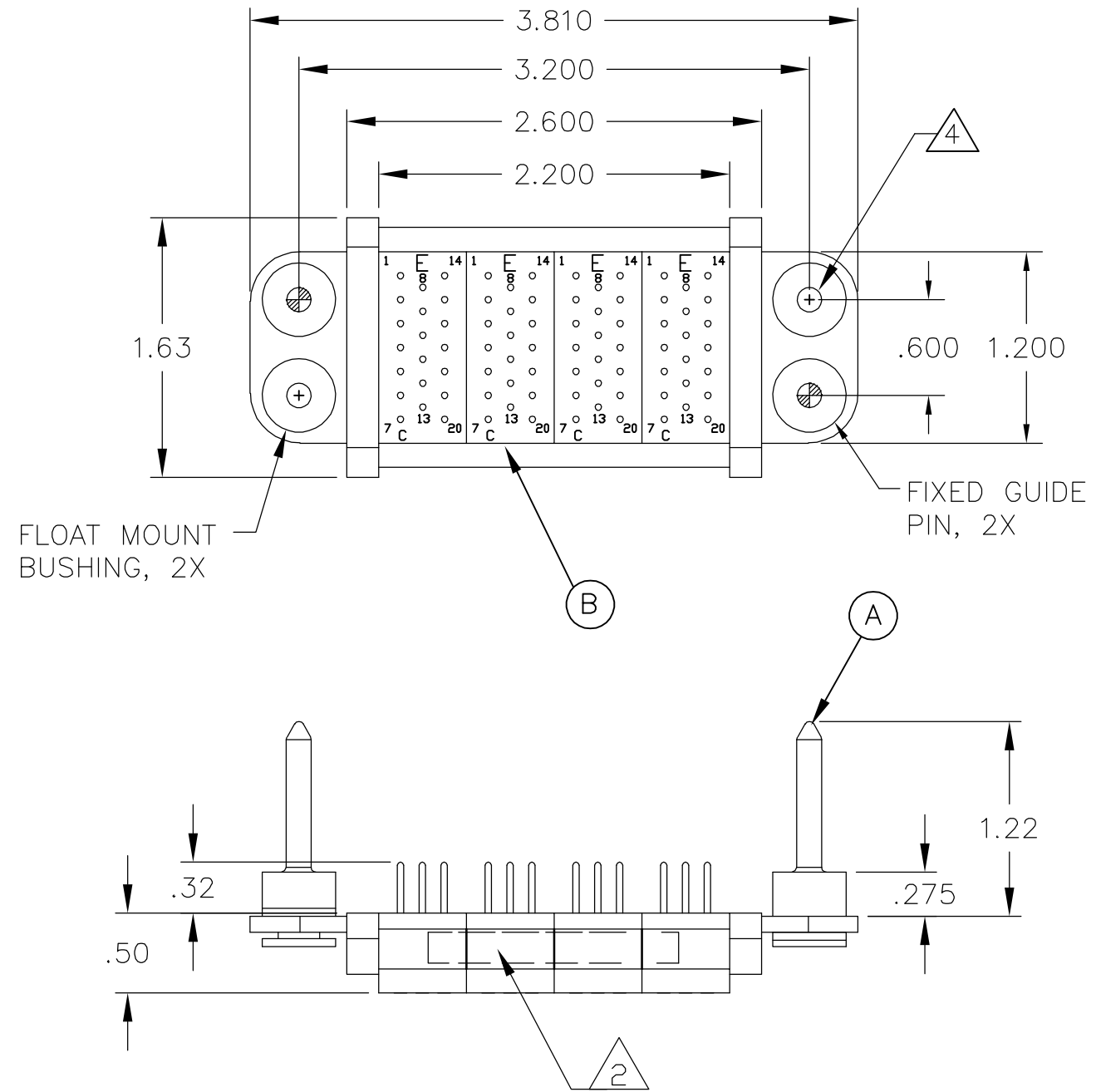


THIS DRAWING IS UNPUBLISHED. RELEASED FOR PUBLICATION
 © COPYRIGHT - BY TYCO ELECTRONICS CORPORATION. ALL RIGHTS RESERVED.

LOC	DIST	REVISIONS					
GP	00	P	LTR	DESCRIPTION	DATE	DWN	APVD
			A	NEW RELEASE	5MAR07	RG	DO



1. PART NUMBER CHANGES AND/OR DESIGN CHANGES AFFECTING ITEM INTERCHANGEABILITY REQUIRE PRIOR TYCO APPROVAL AND AUTHORIZATION BY REVISION TO THIS DRAWING.

2. ITEMS PROVIDED TO THIS SPECIFICATION TO BE PERMANENTLY IDENTIFIED PER THE FOLLOWING IDENTIFIER:

YEAR WEEK
 TYCO PART NUMBER DATE CODE (e.g. 0212)
 XXXXXXXX-X XXXX

3. MODULES NOTED ARE CRIMP REMOVABLE STYLE. REMOVABLE CONTACTS (ITEM C) WILL BE PACKAGED AND SHIPPED LOOSE WITH THE CONNECTOR ASSEMBLY.

4. MOUNTING FLANGE BUSHINGS ACCEPT 6/32 SCREW (.156 DIA. CLEARANCE HOLE, FLOAT MOUNT) OR 8/32 SCREW (.173 DIA. CLEARANCE HOLE, FLOAT MOUNT), USER SUPPLIED.

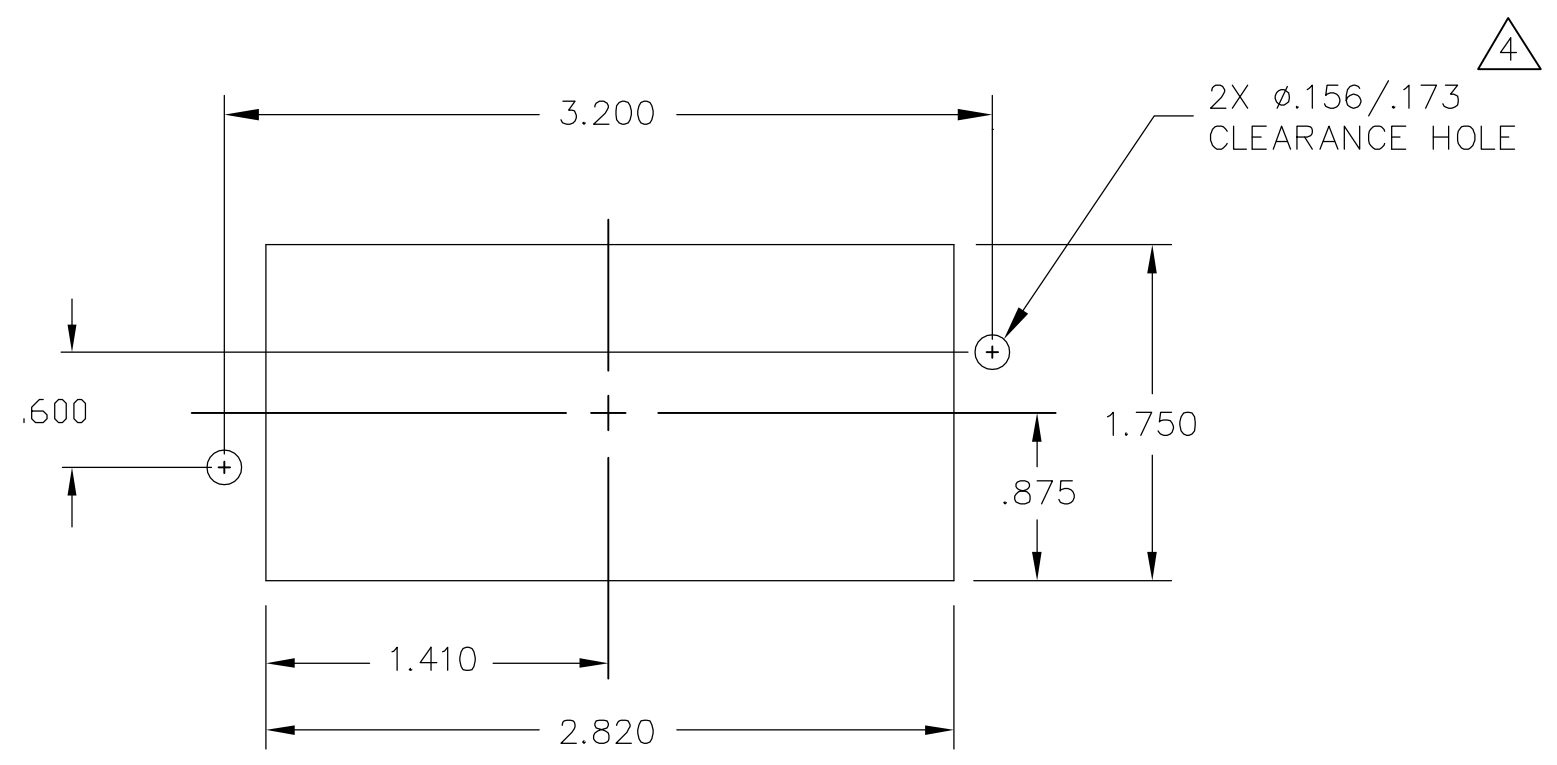
5. THIS CONNECTOR MATES WITH SOCKET CONN. TYCO PN 6646167-1

3	80	1650155-1	PIN CONTACT, SIZE #20, CRIMP	C
	4	1648463-1	MODULE C	B
	2	6648251-1	END CAP, GUIDE PIN, FLOAT	A
	-1	PART NUMBER	DESCRIPTION	ITEM

THIS DRAWING IS A CONTROLLED DOCUMENT.		DWN R.GRZYBOWSKI 05MAR2007	Tyco Electronics Corporation Harrisburg, PA 17105-3608	
DIMENSIONS: INCHES		CHK D.ORRIS 5MAR07	NAME S.FLICKINGER 5MAR07	
TOLERANCES UNLESS OTHERWISE SPECIFIED:		PRODUCT SPEC		
MATERIAL		APPLICATION SPEC		
FINISH		WEIGHT		
-		-		
		SIZE A3		CAGE CODE 00779
		DRAWING NO C-6646166		RESTRICTED TO -
CUSTOMER DRAWING		SCALE 1:1		SHEET 1 OF 2
				REV A

THIS DRAWING IS UNPUBLISHED. RELEASED FOR PUBLICATION
 © COPYRIGHT - BY TYCO ELECTRONICS CORPORATION. ALL RIGHTS RESERVED.

LOC	DIST	REVISIONS			
P	LTR	DESCRIPTION	DATE	DWN	APVD
GP	00	SEE SHEET 1	-	-	-



PIN PANEL MOUNT CUTOUT
 SCALE: NONE

THIS DRAWING IS A CONTROLLED DOCUMENT.		DWN R.GRZYBOWSKI 05MAR2007	Tyco Electronics Corporation Harrisburg, PA 17105-3608	
DIMENSIONS: INCHES	TOLERANCES UNLESS OTHERWISE SPECIFIED:	CHK D.ORRIS 5MAR07	NAME	
	0 PLC ± -	APVD S.FLICKINGER 5MAR07	PIN CONNECTOR DOMINO W/ PANEL CUT-OUT	
	1 PLC ± -	PRODUCT SPEC	SIZE	CAGE CODE
	2 PLC ± .02	APPLICATION SPEC	DRAWING NO	RESTRICTED TO
	3 PLC ± .010		A3	00779
	4 PLC ± -	WEIGHT	C-6646166	
	ANGLES ± 5		SCALE	SHEET
MATERIAL	FINISH	CUSTOMER DRAWING		1:1
-	-			2 OF 2
				REV A