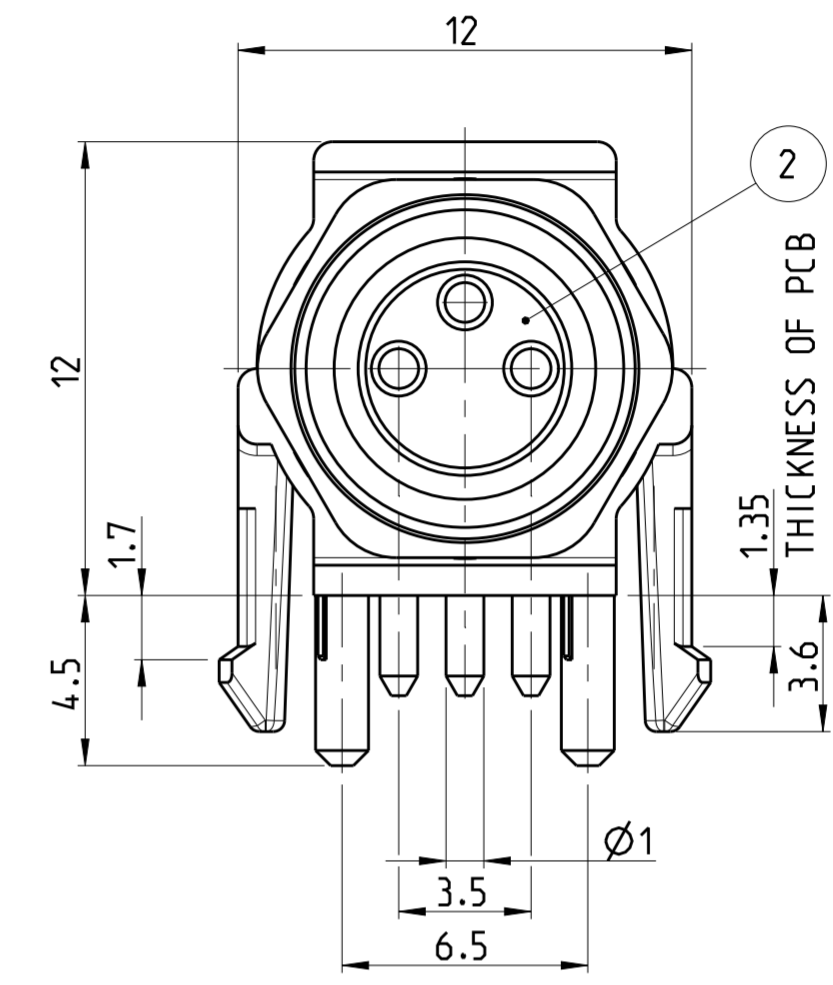
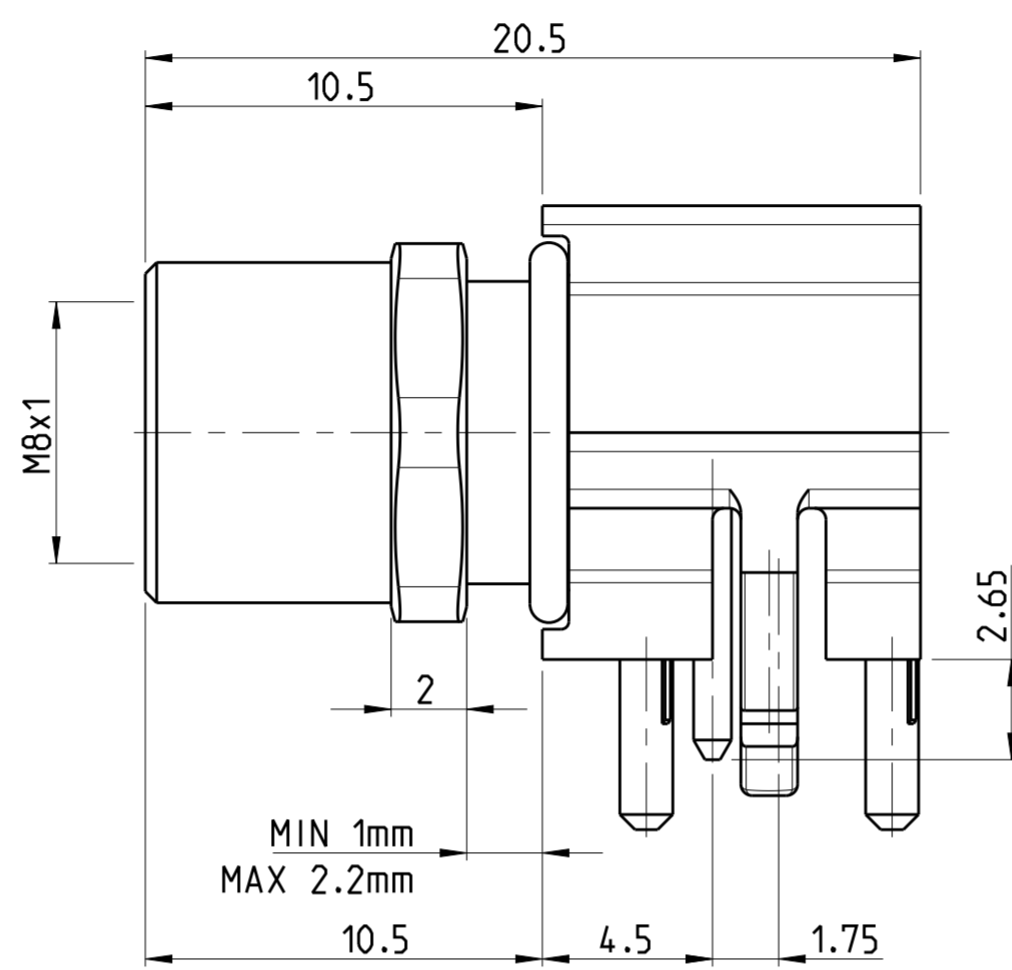


THIS DRAWING IS UNPUBLISHED. VERTRÄULICHE UNVERÖFFENTLICHTE ZEICHNUNG. RELEASED FOR PUBLICATION FREI FÜR VERÖFFENTLICHUNG. 2014. MATED WITH: PASSEND ZU: ALL RIGHTS RESERVED. ALLE RECHTE VORBEHALTEN. Tyco Electronics AMP GmbH

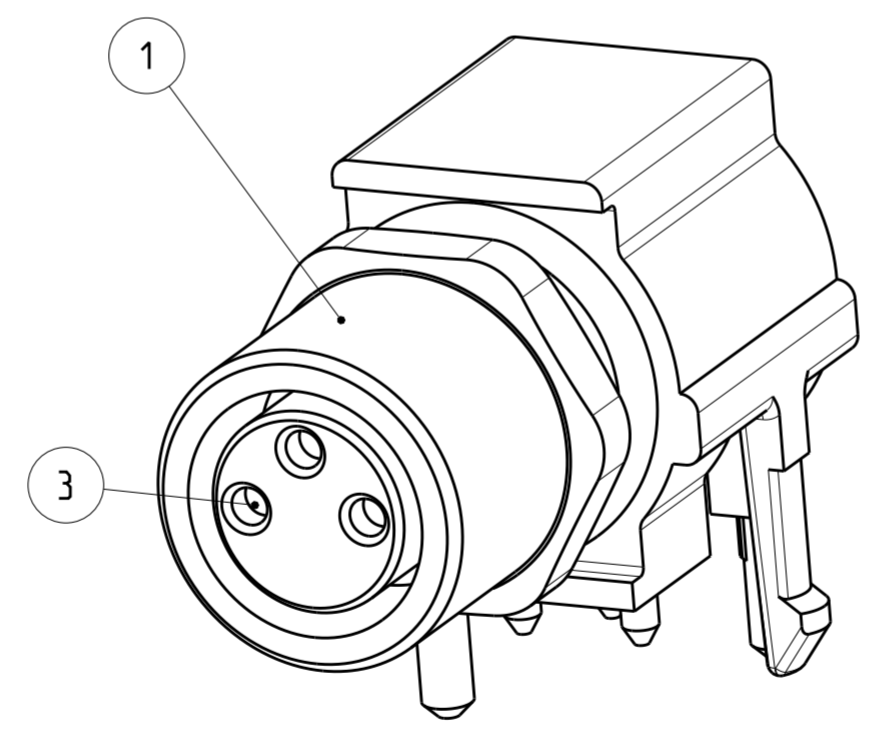
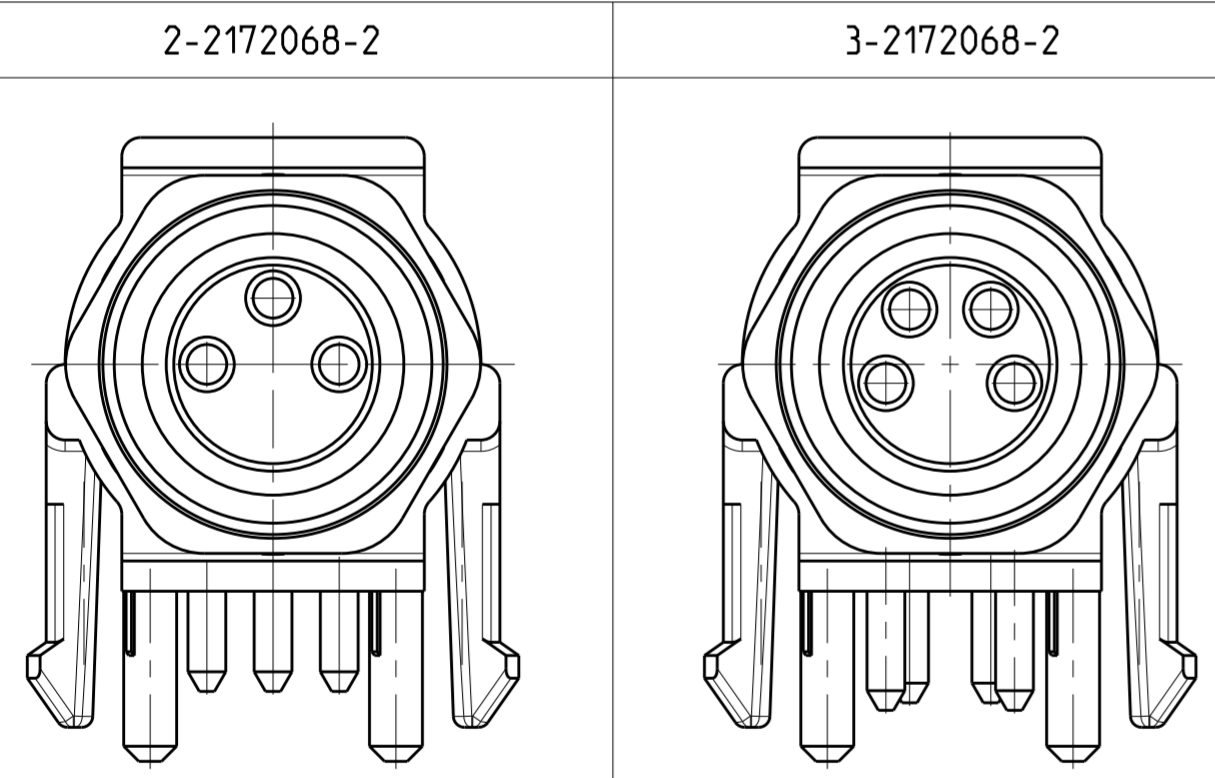
PROJEKT NR.: PRJ-11-000004377

P	LTR	REVISIONS ÄNDERUNGEN DESCRIPTION BESCHREIBUNG	DATE	DWN	APVD
	A	NEW RELEASE	04DEC2014	TJ	PS
	A1	TEXT CORRECTD FROM M12 TO M8 IN TITLE BLCK	12OCT2015	TJ	NG
	A2	DIM 3.25 CORRECTED TO 3 IN PCB LAYOUT	23NOV2016	TJ	NG

TECHNICAL DATA	2-2172068-2	3-2172068-2
RATED VOLTAGE	60V	30V
RATED IMPULSE VOLTAGE	800V	800V
POLLUTION DEGREE	3	3
OVERVOLTAGE CATEGORY	II	II
MATERIAL GROUP	II	II
RATED CURRENT	4A	4A
VOLUME RESISTIVITY	≤ 3mΩ	≤ 3mΩ
DEGREE OF PROTECTION	IP67	IP67
UPPER TEMPERATURE	+85 °C	+85 °C
LOWER TEMPERATURE	-40 °C	-40 °C

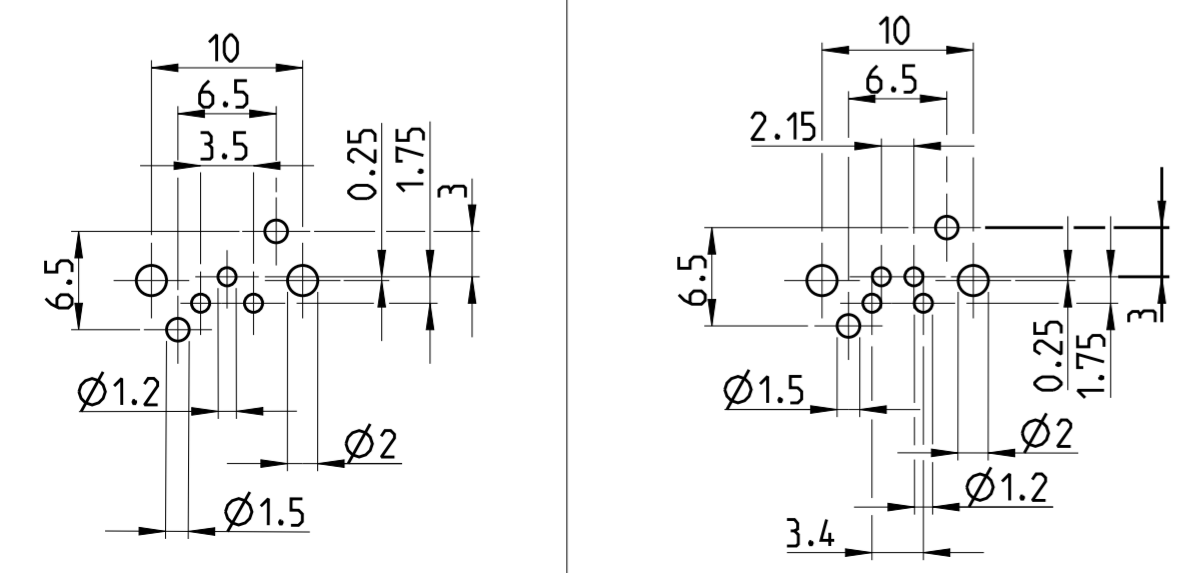


PIN ARRANGEMENT



NOTES:  
 1 MATERIAL: ITEM NO. 1: HOUSING - CuZn (BRASS NICKEL PLATED)  
 ITEM NO. 2: CONTACT BODY - PA  
 ITEM NO. 3: CONTACT - CuSn (BRONZE)  
 CONTACT FINISH - Au (GOLD)  
 2 ALL DIMENSIONS ARE FOR NOMINAL REFERENCE ONLY UNLESS OTHERWISE STATED

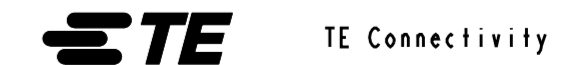
PCB LAYOUT



SIZE ISO 14405 (E)

DIESE ZEICHNUNG IST EIN KONTROLLIERTES DOKUMENT. BEMASSUNGEN UND TOLERANZEN GEMAESS GPS (ISO STANDARDS).		DWN YASHKUMAR 25 JUL 2014	
THIS DRAWING IS A CONTROLLED DOCUMENT. DIMENSIONING AND TOLERANCING PER GPS (ISO STANDARDS).		CHK M. BRUBAKER 25 JUL 2014	
DIMENSIONS: MASSE/WEITEN: (MM)		APVD M. BRUBAKER 25 JUL 2014	
TOLERANCES UNLESS OTHERWISE SPECIFIED: ALLGEMEINTOLERANZEN		NAME M. BRUBAKER	
0 PLC ±		PRODUCT SPEC 108-19483	
1 PLC ±		APPLICATION SPEC 114-32127	
2 PLC ±		WEIGHT -	
3 PLC ±		Customer Drawing	
4 PLC ±		Customer Drawing	
ANGLES/WINKEL ±		Customer Drawing	
FINISH/OBERFLÄCHE/FARBE		Customer Drawing	

⚠	4	3-2172068-2
⚠	3	2-2172068-2
MATERIAL	NUMBER OF POLES	TE-PART-NO.



M8 RECEPTACLE, FEMALE, PCB MOUNT, ANGLED, UL APPROVED			
SIZE	CAGE CODE	DRAWING NO. ZEICHNUNGS-NR.	RESTRICTED TO NUR FÜR
A2	00779	G-2172068	-
/KUNDENZEICHNUNG		SCALE MASSSTAB	SHEET BLATT
		2:1	1 OF 1
		REV	A2