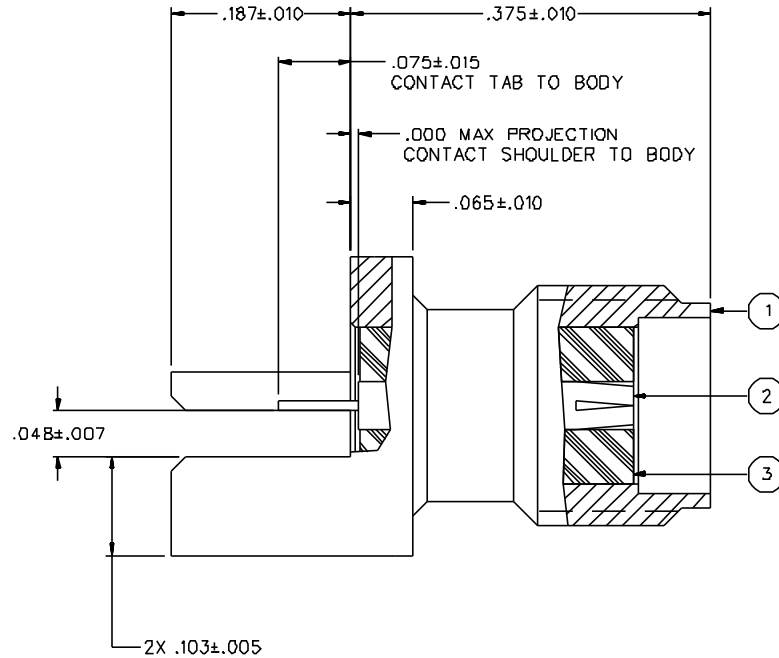
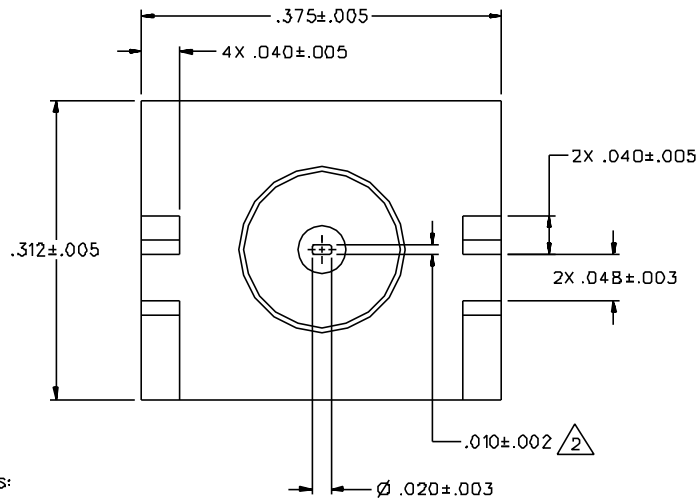


PART NUMBER	ITEM ① BODY	ITEM ② CONTACT	ITEM ③ INSULATOR
142-0701-841	BRASS GOLD PL .00001 MIN OVER NICKEL PL .00005 MIN OVER COPPER PL .00005 MIN	BERYLLIUM COPPER GOLD PL .00003 MIN OVER NICKEL PL .00005 MIN OVER COPPER PL .00005 MIN	TEFLON
142-0701-846	BRASS NICKEL PL .0001 MIN OVER COPPER PL .00005 MIN	BERYLLIUM COPPER GOLD PL .00003 MIN OVER NICKEL PL .00005 MIN OVER COPPER PL .00005 MIN	TEFLON



NOTES:

1. SPECIFICATIONS:

ELECTRICAL:

IMPEDANCE: 50 OHMS
 FREQUENCY RANGE: 0-18 GHz
 VSWR: NOT APPLICABLE
 WORKING VOLTAGE: 335 VRMS MAX AT SEA LEVEL
 DIELECTRIC WITHSTANDING VOLTAGE: 1000 VRMS MIN AT SEA LEVEL
 INSULATION RESISTANCE: 5000 MEGOHMS MIN
 CONTACT RESISTANCE: CENTER CONTACT - INITIAL 3 MILLIOHMS MAX,
 AFTER ENVIRONMENTAL 4 MILLIOHMS MAX
 OUTER CONDUCTOR - INITIAL 2.0 MILLIOHMS MAX
 AFTER ENVIRONMENTAL NOT APPLICABLE
 BRAID TO BODY - NOT APPLICABLE
 CORONA LEVEL: 250 VOLTS MIN AT 70,000 FEET
 INSERTION LOSS: NOT APPLICABLE
 RF LEAKAGE: NOT APPLICABLE
 RF HIGH POTENTIAL WITHSTANDING VOLTAGE: 670 VRMS MIN AT 4 AND 7 MHz

MECHANICAL:

ENGAGE/DISENGAGE TORQUE: 2 INCH POUNDS MAX
 MATING TORQUE: 7-10 INCH POUNDS
 COUPLING PROOF TORQUE: NOT APPLICABLE
 COUPLING NUT RETENTION: NOT APPLICABLE
 CONTACT RETENTION: 6 LBS MIN AXIAL FORCE
 4 IN-OZ MIN RADIAL TORQUE
 CABLE ACCEPTABILITY: NOT APPLICABLE
 CABLE RETENTION: NOT APPLICABLE
 DURABILITY: 500 CYCLES MIN

ENVIRONMENTAL:

(MEETS OR EXCEEDS THE APPLICABLE PARAGRAPH OF MIL-C-39012)
 THERMAL SHOCK: MIL-STD-202, METHOD 107, CONDITION B
 OPERATING TEMPERATURE: -65 C TO 165 C
 CORROSION: MIL-STD-202, METHOD 101, CONDITION B
 SHOCK: MIL-STD-202, METHOD 213, CONDITION I
 VIBRATION: MIL-STD-202, METHOD 204, CONDITION D
 MOISTURE RESISTANCE: MIL-STD-202, METHOD 106

2. BOTTOM OF CONTACT TO BE IN LINE WITH MOUNTING LEG WITHIN .D10.

DRAWING NO. C - 142-0701-841/850	
0 REVISIONS	
ENGINEERING RELEASE	
1	11-10-92 R V B B F 12-18-92 H B B B E CO 41275
CHANGED: .04B±.007 WAS .04B±.003, UPDATED GRAPHICS ADDED: .025±.01B	
1a	2-22-94 R B B B K 3-8-94 H B B B H E CO 42224
CHANGED: -845 "B" .055/.035 WAS .04B±.007 AND "C" .051/.035 WAS .04B±.003	
* REVISION NUMBER FOLLOWED BY AN ALPHA * * CHARACTER INDICATES DRAWING CLASS * * CATION OR PART NUMBER ADDITION ONLY *	
1b	6-14-94 R T B P A 6-21-94 H B B B A E CN 42518
CHANGED: 4X .040±.005 WAS 2X .040±.005, 2X .04B±.003 WAS 2X "C" .04B±.007 WAS "B"±.007 ADDED: .000 MAX PROJECTION, .075±.015 DELETED: .035±.005, .025±.01B, .100±.015, .000±.017, .000±.01B, P/N 142-0701-845, NOTES 2 AND 4 AND RENUMBERED OTHERS	
2	2-19-97 R B B B E CN 44266

CUSTOMER DRAWING

THIS DRAWING TO BE INTERPRETED PER ANSI Y 14.5M - 1982

"μSTATION"

COMPANY CONFIDENTIAL

TOLERANCE UNLESS OTHERWISE SPECIFIED	DRAWN BY VET	DATE 7-13-92	JOHNSON Cinch Connectivity Solutions 299 Johnson Ave. Ste. 100 Menasha, WI 54952 1-800-247-8256	
DECIMALS .XX	CHECKED BY	DATE	TITLE JACK ASSEMBLY END LAUNCH SMA	
MM	APPROVED BY VET	DATE 11-18-92	CODE NO.	DRAWING NO. C - 142-0701-841/850
.XXX	APPROVED BY TAK/RJB	DATE 12-14-92	SCALE 10:1	U/W INCH SHEET 2 OF 2
NATL	RELEASE DATE	DATE 12-18-94		
FINISH				