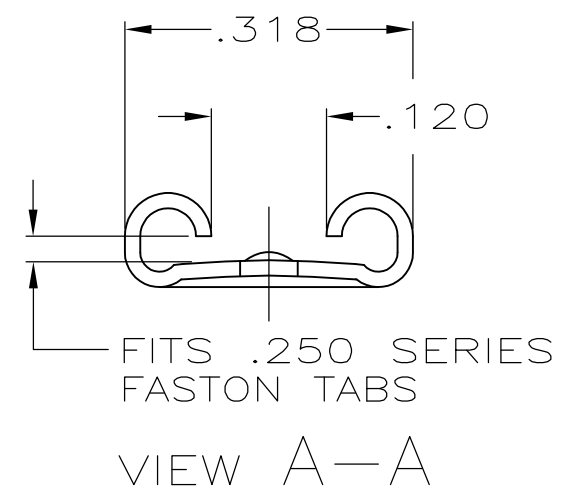
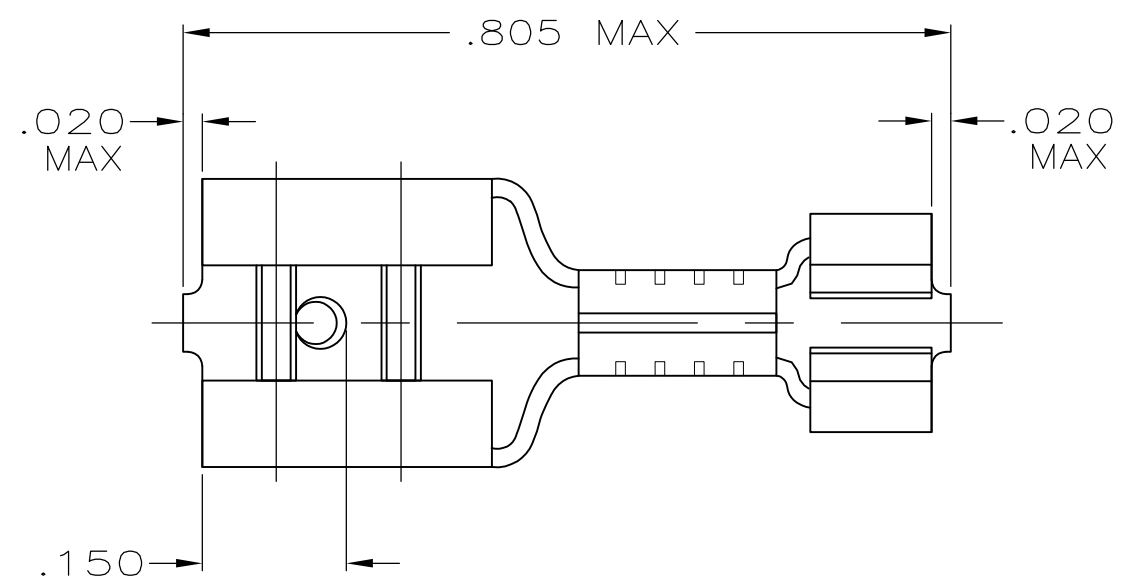
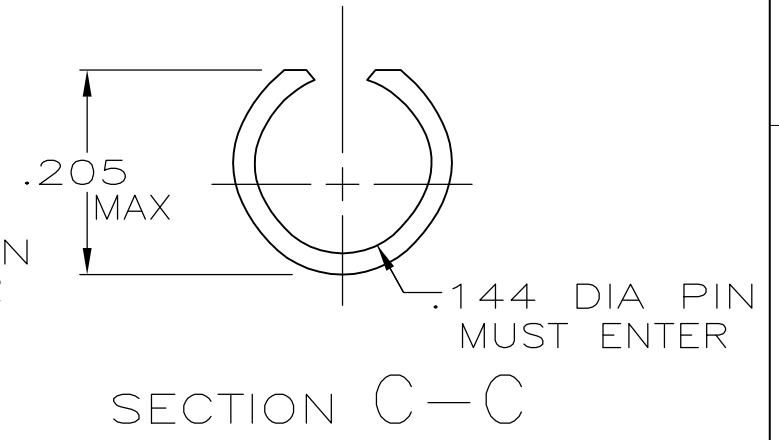
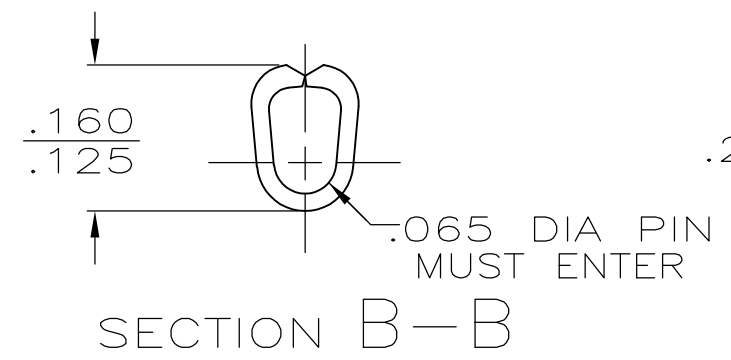
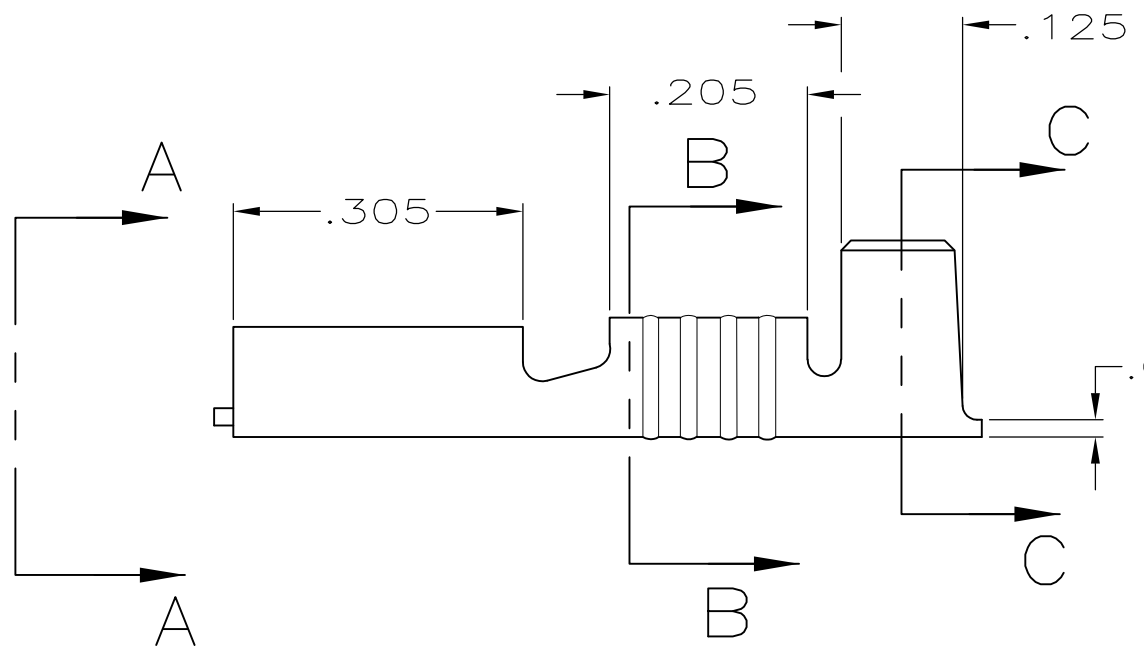


THIS DRAWING IS UNPUBLISHED. RELEASED FOR PUBLICATION
 © COPYRIGHT - By - ALL RIGHTS RESERVED.

LOC	DIST	REVISIONS				
P	LTR	DESCRIPTION	DATE	DWN	APVD	
AF	50	G	REVISED PER ECR-12-013445	27OCT12	KH PD	



- 1 SUPPLIED IN LOOSE PIECE3
- 2 SILVER PLATED .000150 MIN THK.
- 4 FOREIGN PRODUCTION ONLY.



INSULATION RANGE	WIRE SIZE	FINISH	MATERIAL	MATING TAB THK ±.001	PART NO
.120-.145 DIA	18-16 AWG	TIN	BRASS	.032	42025-4
		-	#4H BRASS		42025-3
		SILVER 2	T3 PHOS BRZ.		42025-2
		TIN	T3 PHOS BRZ.		42025-1
			T3 PHOS BRZ.		42025

THIS DRAWING IS A CONTROLLED DOCUMENT.		DWN JR RUTH 2/13/91	TE Connectivity		
DIMENSIONS: INCHES		CHK P FORTNEY 2/13/91			
TOLERANCES UNLESS OTHERWISE SPECIFIED:		APVD -	NAME		
0 PLC ± -		PRODUCT SPEC -	SIZE		
1 PLC ± -		APPLICATION SPEC -	CAGE CODE		
2 PLC ± -		WEIGHT -	DRAWING NO		
3 PLC ± .015		CUSTOMER DRAWING	A300779		
4 PLC ± -			C-42025		
ANGLES ± -		SCALE	SHEET		REV
FINISH		5:1	1 OF 1		G
SEE TABLE					