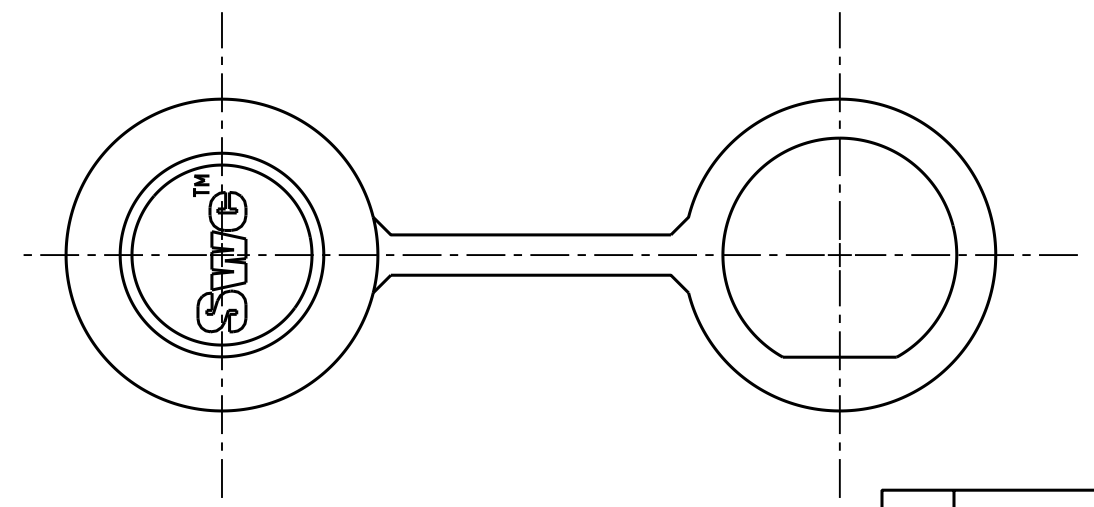


NOTE:  
1. MATERIAL: THERMOPLASTIC RUBBER.



CUSTOMER DRAWING

CAD/CAM DWG. NO.  
s.en3cap\_cd  
SHEET 1 OF 1

★ STAR SYMBOL DENOTES CRITICAL DIMENSION, SEE S/C ENGINEERING STANDARD ES-0001					THIS DRAWING DESCRIBES A DESIGN CONSIDERED PROPRIETARY IN NATURE, DEVELOPED AND MANUFACTURED BY SWITCHCRAFT INC. AND IS RELEASED ON A CONFIDENTIAL BASIS FOR IDENTIFICATION PURPOSE ONLY.				
UNLESS OTHERWISE SPECIFIED					SIZE	WIDTH	MULT	LBS./M	TEMPER
1. ALL DIMENSIONS IN INCHES TWO PLACE DECIMAL ±.01 THREE PLACE DECIMAL ±.005 FRACTIONAL DIMENSIONS ±1/64 ANGLES ±1/2° ALL DIA'S CONCENTRIC WITHIN .005 T.I.R.					FINISH			MATERIAL	
2. REMOVE ALL BURRS					SPEC. NO.			SPEC. NO.	
3. MAKE NO DIMENSIONAL ALLOWANCES FOR APPLIED FINISHES, I.E., PLATING, PAINTING, ETC.					FIRST USED ON			SCALE 1 = 0.5	
4. HOLES ON THE SAME CENTERLINE MUST BE ALIGNED WITHIN ±.002					DATE DRAWN	BY	CHK'D	APP'D	<b>Switchcraft®</b>
REVISIONS					2-2-95	SG	SG 2-6-95	RB 2-6-95	
B	ECO #19614	2-23-95	SG	RB	NAME			PART NO.	ISSUE
A	FIRST DRAWN ECO #19545	2-2-95	SG	RB	WEATHERTIGHT CAP			EN3CAP	B
ISSUE	CHANGE NO.	DATE	BY	APP'D	DO NOT SCALE DRAWING				

