

THIS DRAWING IS UNPUBLISHED.

RELEASED FOR PUBLICATION

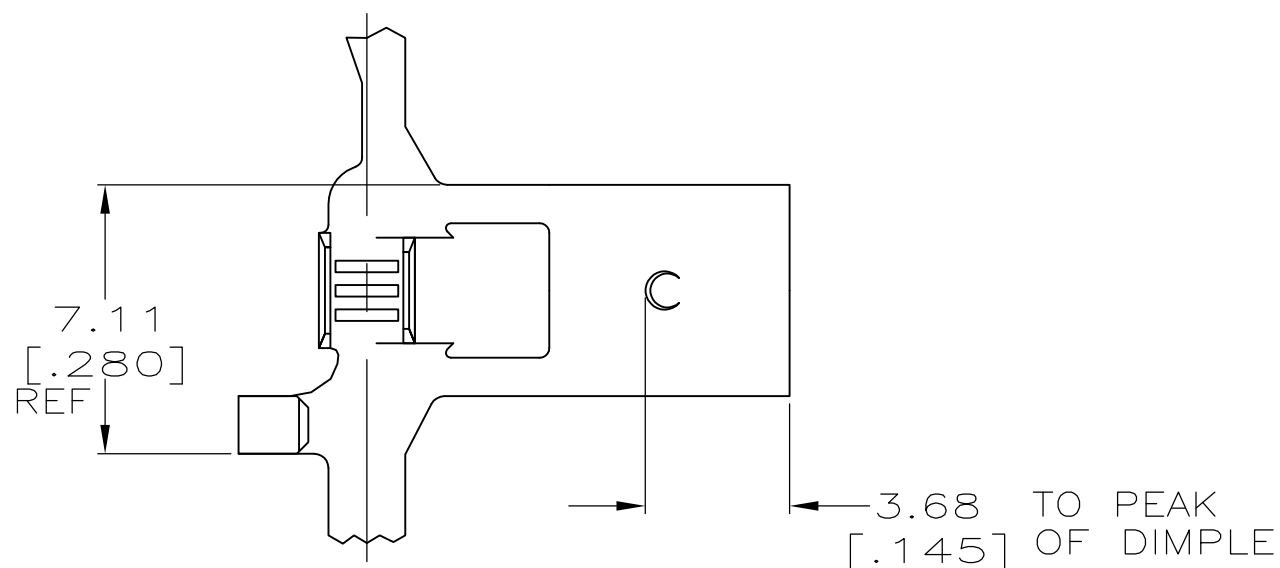
© COPYRIGHT - By -

ALL RIGHTS RESERVED.

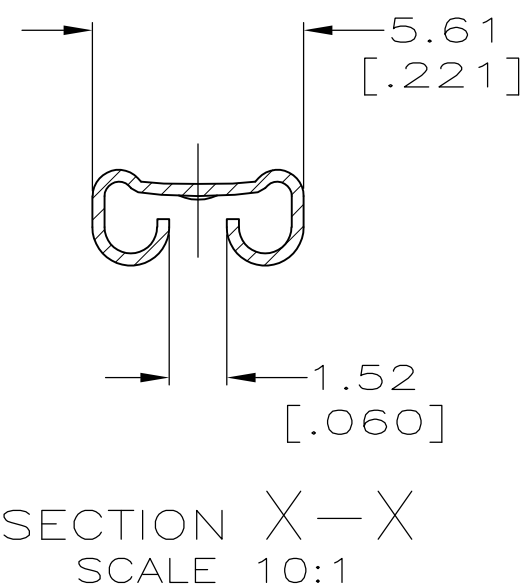
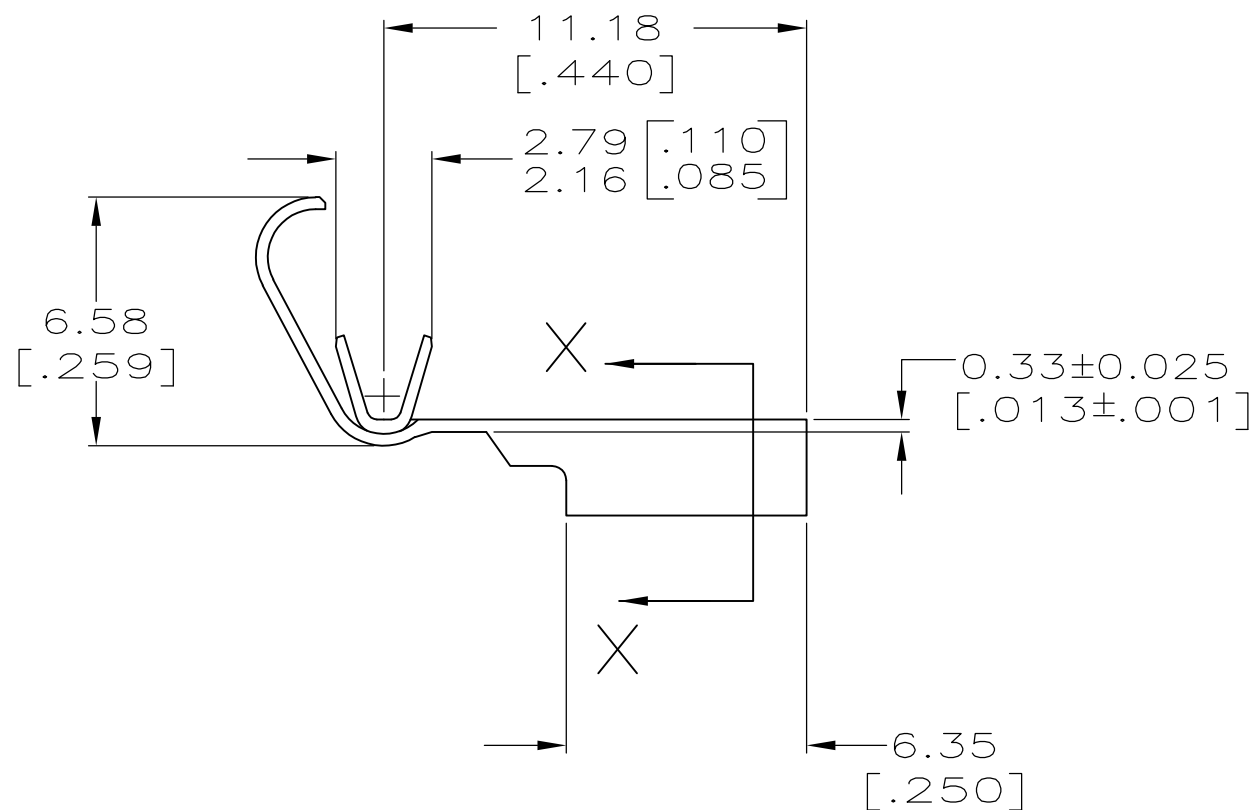
LOC AF DIST 50

REVISIONS

P	LTR	DESCRIPTION	DATE	DWN	APVD
	J	REVISED PER ECR-12-013518	23NOV2012	KH	PD



- 1 CONTINUOUS STRIP ON REELS.
- 2 ACCEPTS WIRE SIZE [#22-#18] AWG
- 3 INSULATION RANGE TO BE 1.52-2.79 [.060-.110] DIA.
- 4 MATING TAB THK TO BE 0.813±0.025 [.032±.001].



OBSOLETE	-	63405-2
	PRE-TIN	63405-1
	FINISH	PART NO

THIS DRAWING IS A CONTROLLED DOCUMENT.		DWN JR RUTH 1/25/96	TE Connectivity				
DIMENSIONS: mm [INCHES]		CHK MS FEHER 1/25/96					
TOLERANCES UNLESS OTHERWISE SPECIFIED:		APVD J HUZVAR 1/25/96	NAME				
0 PLC ± - 1 PLC ± - 2 PLC ± 0.25 [.010] 3 PLC ± - 4 PLC ± - ANGLES ± -		PRODUCT SPEC -	RECEPTACLE, FASTON, FLAG, 4.75 [.187] SERIES				
MATERIAL BRASS		FINISH SEE TABLE	APPLICATION SPEC -	SIZE A3	CAGE CODE 00779	DRAWING NO C-63405	RESTRICTED TO -
CUSTOMER DRAWING			WEIGHT -	SCALE 5:1	SHEET 1 OF 1	REV J	