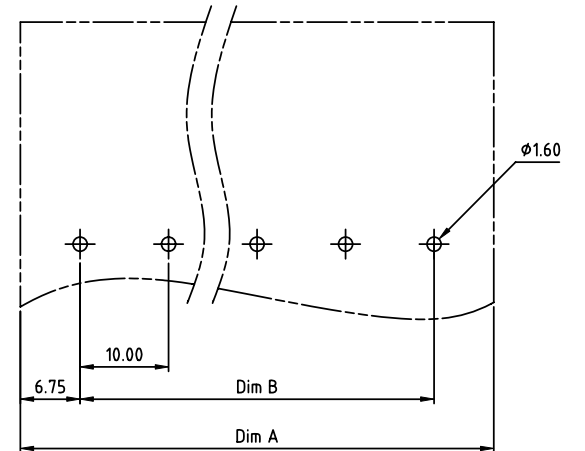
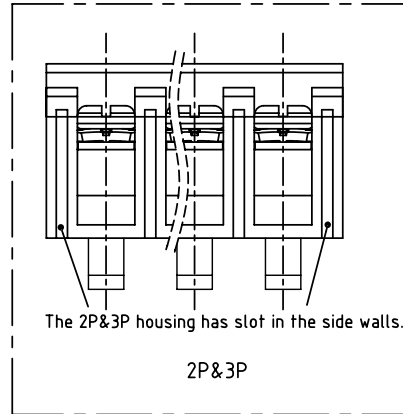
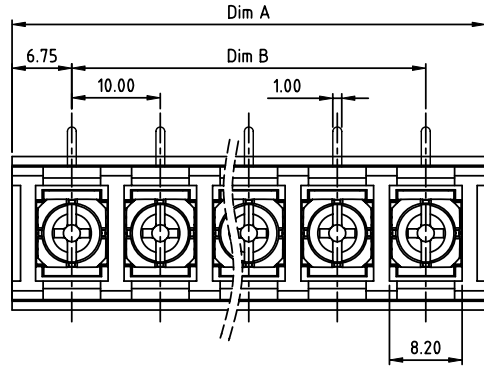
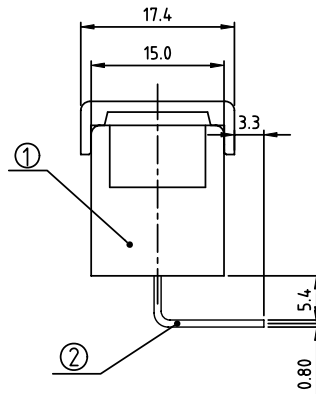
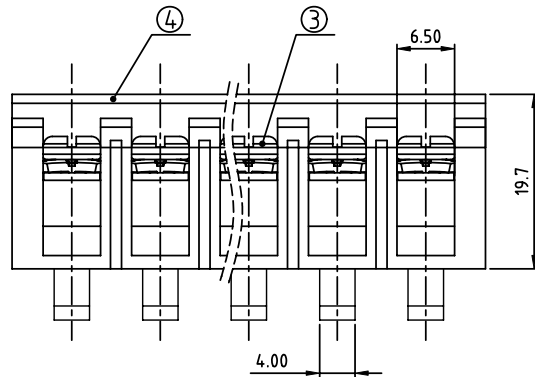


| | |
|----------------|---------|
| PRODUCT NUMBER | PITCH |
| YK605xx2x0JOG | 10.00mm |



RECOMMENDED P.C.B LAYOUT
TOP VIEW



MATERIALS ELECTRICAL
 RATED VOLTAGE & CURRENT: 300 V, 20 A
 WITHSTAND VOLTAGE: AC 2000 V/Min
 INSULATION RESISTANCE: 1000 M Ω OR MORE AT DC 500 V
 OPERATING TEMPERATURE RANG: -40 °C ~ +115 °C
 SCREW TORQUE VALUE: 12Lb-In.
 WIRE RANGE: 22 - 12 AWG
 1) HOUSING: THERMOPLASTIC, UL 94 V-0 BLACK
 2) TERMINAL: BRASS, 0.8t
 3) SCREWS: STEEL, M3.5
 4) COVER MATERIAL: PC
 APPROVAL: US

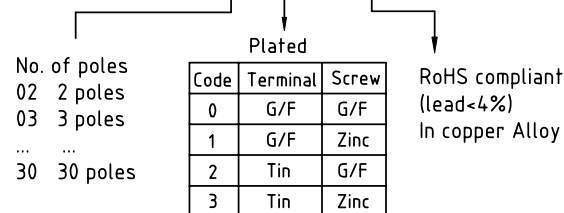
DIMENSION

| | |
|-------|---------------------------|
| Dim A | N \times 10.0 \pm 3.5 |
| Dim B | (N-1) \times 10.0 |

N=Number of poles

| Poles | Tolerance |
|---------|------------|
| 2p-4p | \pm 0.20 |
| 5p-10p | \pm 0.30 |
| 11p-24p | \pm 0.40 |
| 25p-30p | \pm 0.50 |

PART NO.: YK 605xx 2 x 0 JOG



| | | | | | |
|-------------|----------------|-----------------------|-------------------------|---------------------------------------|----------------------------------|
| mat'l. code | | surface ASME Y14.5 | tolerance ASME Y14.5 | projection | product family TERMINAL BLOCK |
| ltr | ecn no | dr | date | tolerances unless otherwise specified | title TERMINAL BLOCK |
| | | | | angles | BARRIER TYPE, WITH COVER |
| | | | | X \pm 1° | scale |
| | | | | dr EVAN LU 061414 | dwg no YK605xx2x0JOG |
| | | | | enr EVAN LU 061414 | sheet 1 of 1 size A4 |
| | | | | chr HANKE FENG 061414 | type CUSTOMER Drawing |
| | | | | appd SHI JUN 061414 | |
| sheet index | revision sheet | A | 1 | | |