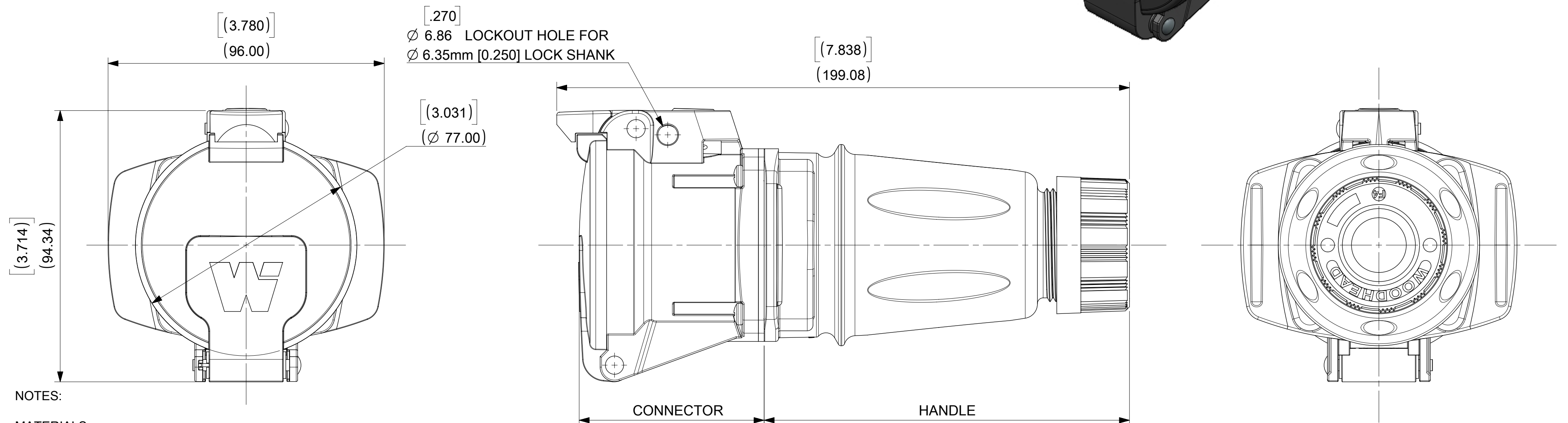
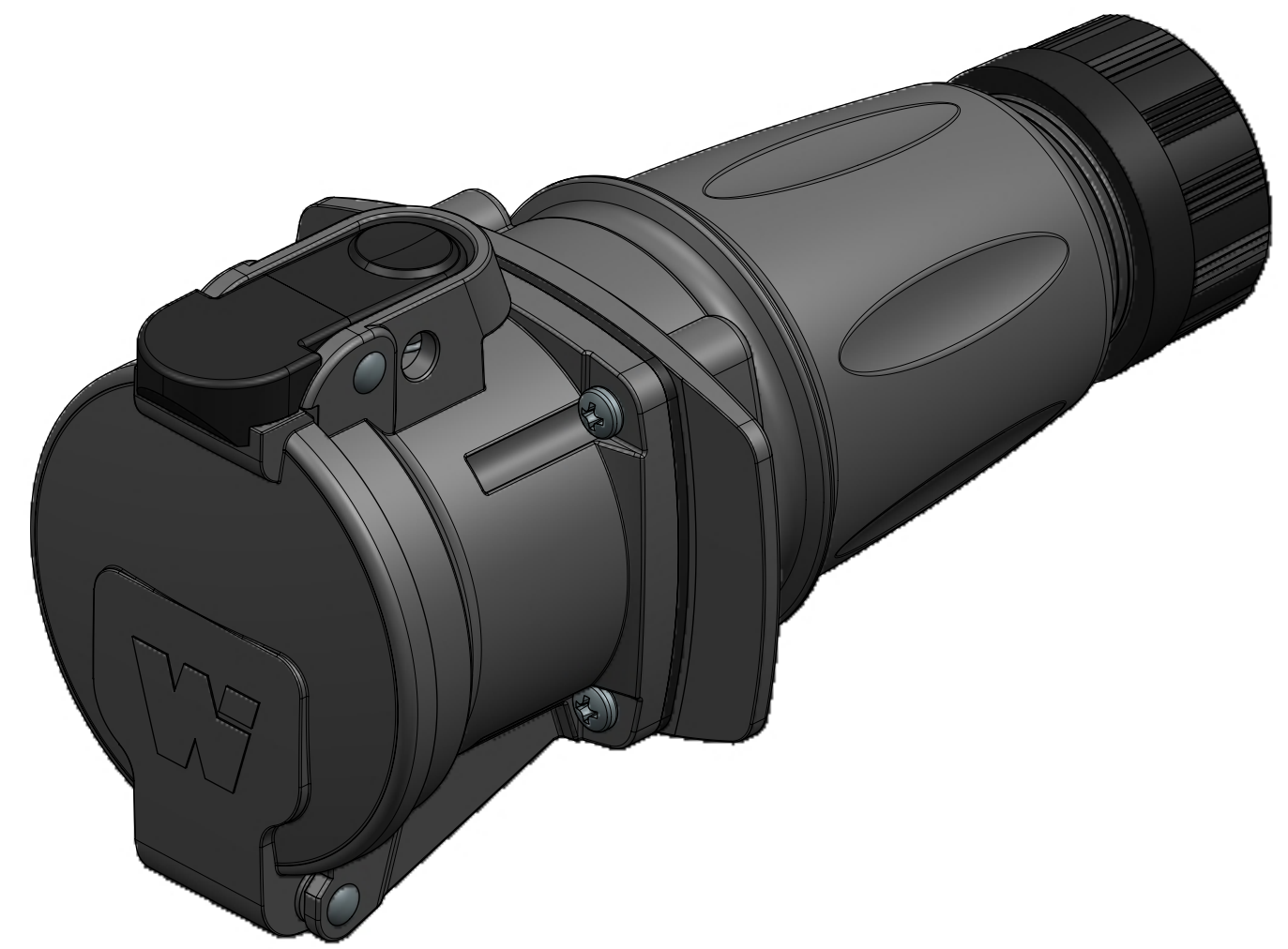


MATERIAL NUMBER	ENG NO.	DESCRIPTION	INSULATOR KEYING POSITION	HORSEPOWER RATING
1122190015	ARC30FHDA01	ARC 30A FHD 125VAC 1P+N+G	7	1 HP
1122190016	ARC30FHDB02	ARC 30A FHD 250VAC 2P+G		3 HP
1122190017	ARC30FHDB03	ARC 30A FHD 250VAC 3P+G		5 HP
1122190018	ARC30FHDAB04	ARC 30A FHD 125/250VAC 2P+N+G		NA
1122190019	ARC30FHDC02	ARC 30A FHD 208VAC 2P+G	16	NA
1122190020	ARC30FHDC03	ARC 30A FHD 208VAC 3P+G		5 HP
1122190021	ARC30FHDC05	ARC 30A FHD 120/208VAC 3P+N+G		NA
1122190022	ARC30FHDD01	ARC 30A FHD 277VAC 1P+N+G	4	NA
1122190023	ARC30FHDE02	ARC 30A FHD 480VAC 2P+G		NA
1122190024	ARC30FHDE03	ARC 30A FHD 480VAC 3P+G		NA
1122190025	ARC30FHDE05	ARC 30A FHD 277/480VAC 3P+N+G		NA
1122190026	ARC30FHDF02	ARC 30A FHD 600VAC 2P+G	14	NA
1122190027	ARC30FHDF03	ARC 30A FHD 600VAC 3P+G		NA
1122190028	ARC30FHDF05	ARC 30A FHD 347/600VAC 3P+N+G		NA



NOTES:

MATERIALS:  
HOUSINGS AND INSULATORS: GLASS FILLED PBT  
CONTACTS: COPPER ALLOY WITH A SILVER NICKEL TIP, SILVER PLATED  
MOUNTING AND INTERFACE GASKETS: SILICONE  
GROMMET - RUBBER  
FRICTION RING - NATURAL POLYETHYLENE  
COMPRESSION NUT - BLACK PBT  
SELF TAPPING SCREWS - STAINLESS STEEL

RATINGS:  
CURRENT: 30 AMPS  
VOLTAGE AND HORSEPOWER: SEE TABLE  
OPERATING TEMPERATURE: -25°C (-13°F) TO 60°C (140°F)  
ENVIRONMENTAL: NEMA TYPE 4X  
WIRING CAPACITY: 12AWG MIN. TO 8 AWG MAX.  
TORQUE TERMINAL SCREWS TO 1.7 N-M (15 in/lbs)  
AGENCY: UL LISTING PENDING  
SWITCH RATED RECEPTACLE/CONNECTOR  
BRANCH CIRCUIT DISCONNECT SWITCH  
MOTOR CIRCUIT DISCONNECT SWITCH IF HP RATED

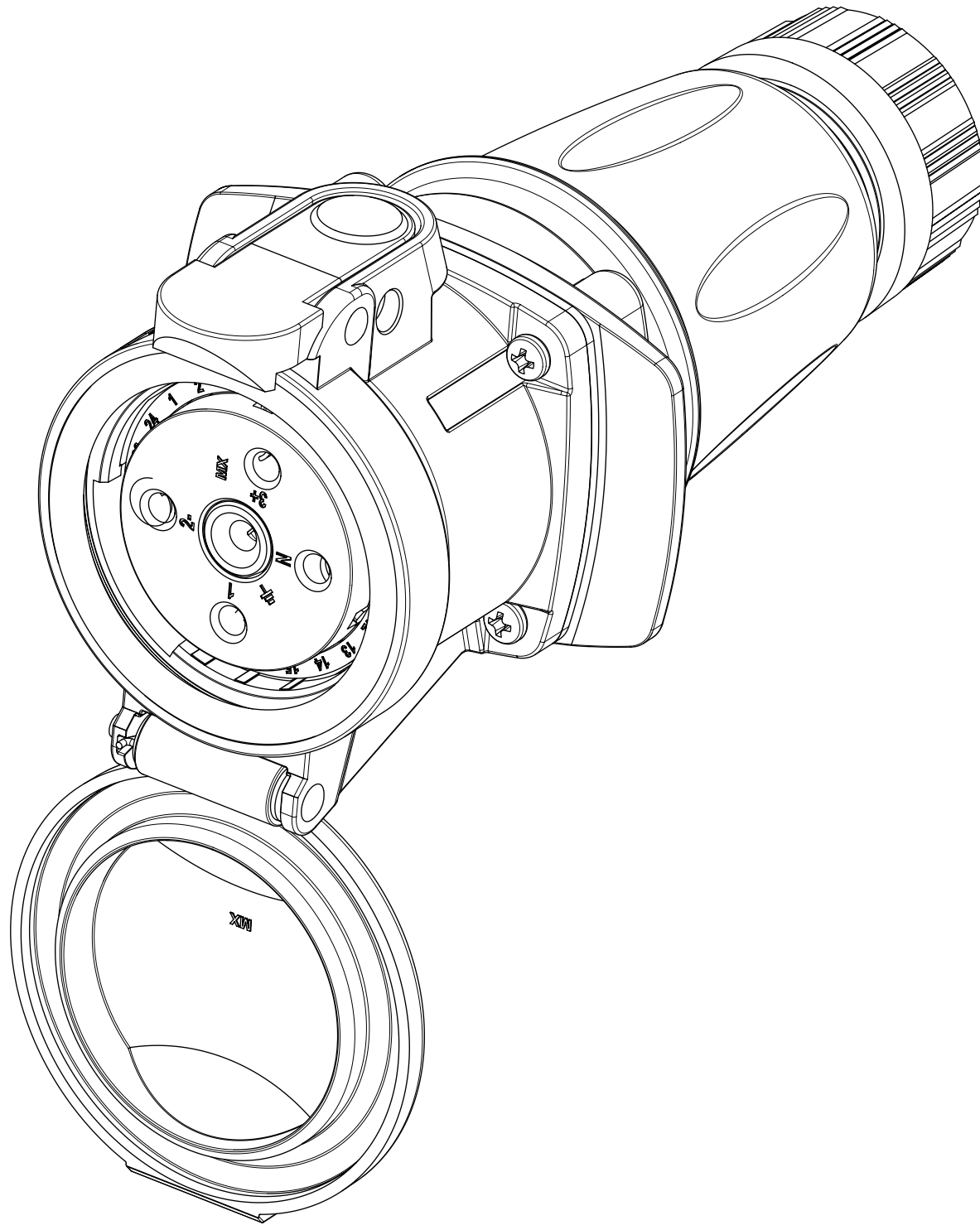
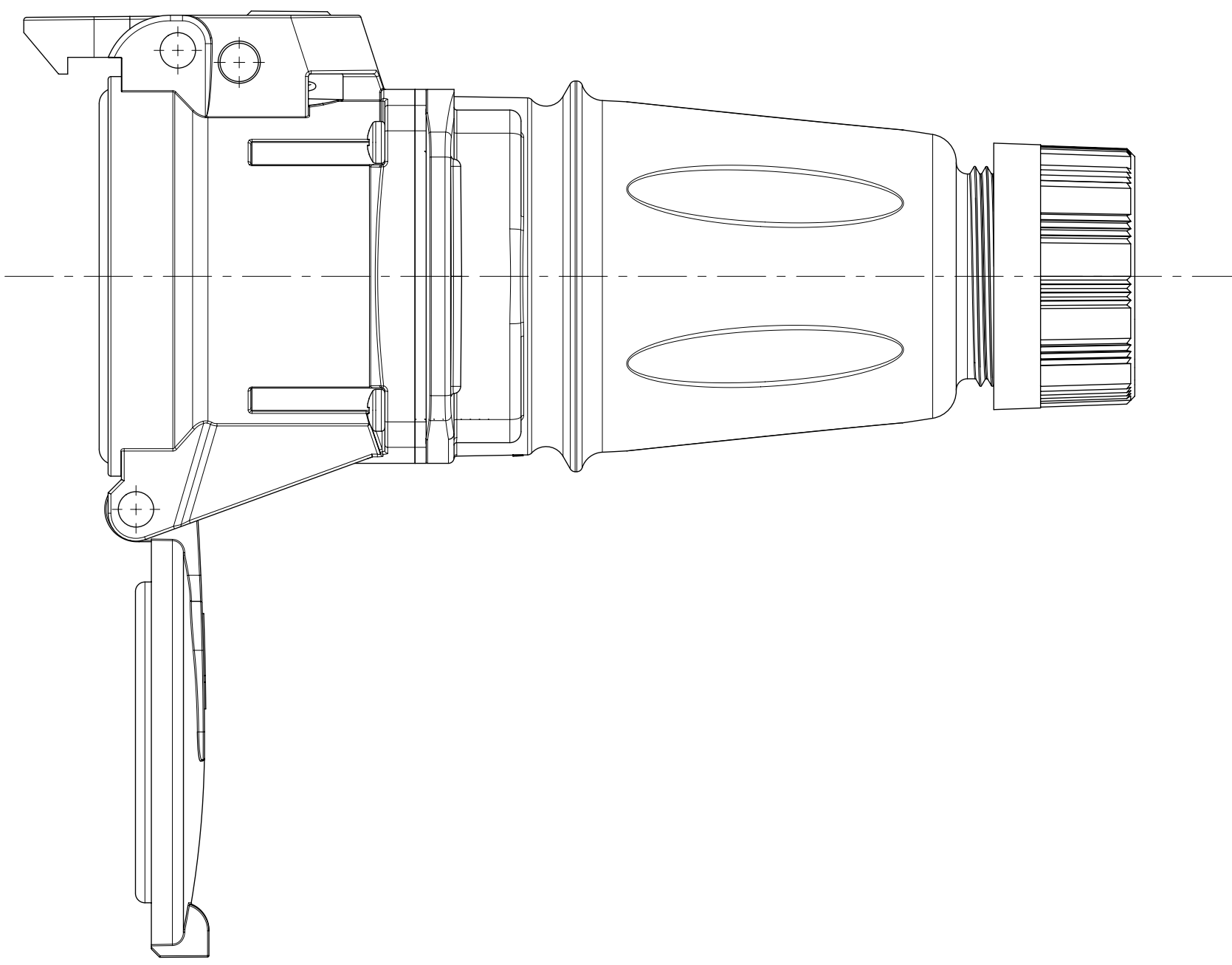
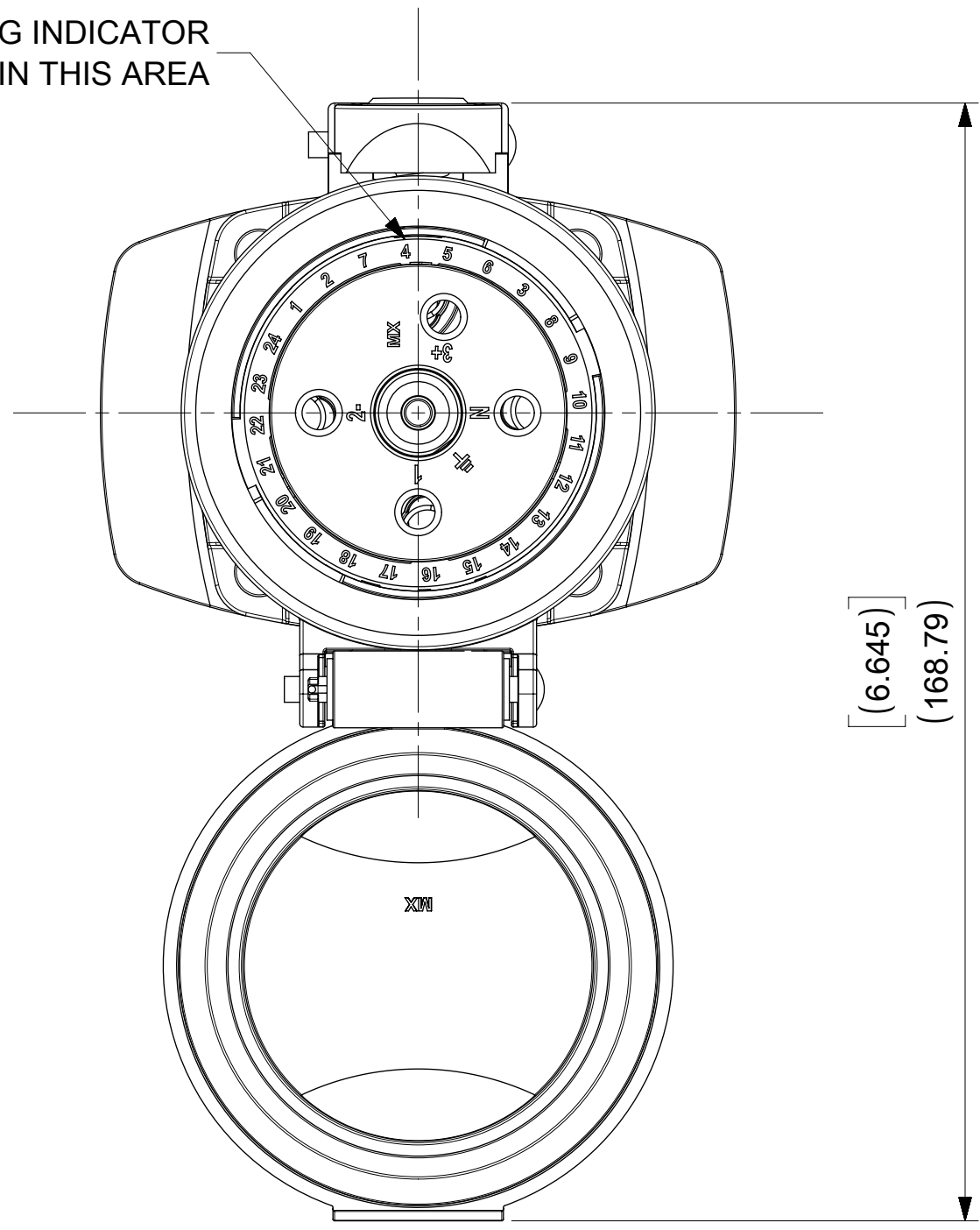
CONNECTOR AND HANDLE ARE PACKAGED AS SUB-ASSEMBLIES AND WILL REQUIRE END USER ASSEMBLY.

GROMMET P/N	GROMMET COLOR	CABLE DIAMETER RANGE
1301800411	GRAY	12.7mm - 15.9mm (.500" - .625")
1301800283	ORANGE	15.9mm - 19.0mm (.625" - .750")
1301800413	BLACK	19.0mm - 22.2mm (.750" - .875")

ARC30FHDE03 SHOWN

QUALITY SYMBOLS ▽ = 0 ▽ = 0 ▽ = 0 ▽ = 0 ▽ = 0 ▽ = 0 ▽ = 0 ▽ = 0 ▽ = 0 ▽ = 0 ▽ = 0 ▽ = 0 ▽ = 0		THIS DRAWING CONTAINS INFORMATION THAT IS PROPRIETARY TO MOLEX ELECTRONIC TECHNOLOGIES, LLC AND SHOULD NOT BE USED WITHOUT WRITTEN PERMISSION		DIMENSION UNITS: MM[INCH] SCALE: 1:1				
EC NO: 176476 DRWN: VBASUTHKARP CHKD: BRUPERT REV: APPR: BRUPERT		GENERAL TOLERANCES (UNLESS SPECIFIED) 4 PLACES ± ± 3 PLACES ± ± .005 2 PLACES ± 0.13 ± .010 1 PLACES ± 0.25 ± .020 0 PLACES ± ±		DRWN BY: KJ DATE: 08/29/2017 CHK'D BY: BR DATE: 08/29/2017 APPR BY: JM DATE: 08/29/2017		30A ArcArrest™ CONNECTOR KIT HANDLE W/DRAWPLATES		
REDRAWN IN INX B1		ANGULAR TOL = 0.5° DRAFT WHERE APPLICABLE MUST REMAIN WITHIN DIMENSIONS		DRAWING SIZE: C THIRD ANGLE PROJECTION		PRODUCT CUSTOMER DRAWING		
RELEASE STATUS: P1 RELEASE DATE: 2018/05/10 16:43:14		SERIES: 112219 MATERIAL NUMBER: SEE TABLE CUSTOMER: GENERAL MARKET		DOCUMENT NUMBER: 1122190024 DOC TYPE: PSD DOC PART: 000 SHEET NUMBER: 1 OF 2				

INSULATOR KEYING INDICATOR  
LOCATED IN THIS AREA



ARC30FHDE03 SHOWN

<b>QUALITY SYMBOLS</b> ▽ = 0 ▽ = 0 ▽ = 0 ▽ = 0 ▽ = 0 ▽ = 0 ▽ = 0 ▽ = 0 ▽ = 0 ▽ = 0	THIS DRAWING CONTAINS INFORMATION THAT IS PROPRIETARY TO MOLEX ELECTRONIC TECHNOLOGIES, LLC AND SHOULD NOT BE USED WITHOUT WRITTEN PERMISSION										
	REDRAWN IN INX EC NO: 176476 DRWN: VBASUTHKARP CHKD: BRUPERT REV / APPR: BRUPERT	2018/04/03	2018/05/10	GENERAL TOLERANCES (UNLESS SPECIFIED)		DIMENSION UNITS		SCALE			
		2018/05/10	2018/05/10	MM	INCH	MM[INCH]	1:1				
		4 PLACES	±	±	DRWN BY	DATE		KJ 8/29/2017			
		3 PLACES	±	± .005	CHK'D BY	DATE		BR 8/29/2017			
		2 PLACES	± 0.13	± .010	APPR BY	DATE		JM 8/29/2017			
	1 PLACES	± 0.25	± .020	ANGULAR TOL = 0.5°		DRAWING SIZE	THIRD ANGLE PROJECTION			PRODUCT CUSTOMER DRAWING SERIES MATERIAL NUMBER CUSTOMER 112219 SEE TABLE GENERAL MARKET DOCUMENT NUMBER DOC TYPE DOC PART SHEET NUMBER 1122190024 PSD 000 2 OF 2	
	0 PLACES	±	±	DRAFT WHERE APPLICABLE MUST REMAIN WITHIN DIMENSIONS		C					
	B1	REV	APPR								